

VERMEIREN

V200

INSTRUCTION MANUAL





Instructions to the specialist dealer

This instruction manual is part and parcel of the product and must accompany every product sold.

Version: C, January 2011

All rights reserved, including translation.

No part of this manual may be reproduced in any form what so ever (print, photocopy, microfilm or any other process) without written permission of the publisher, or processed, duplicated or distributed by using electronic systems.

© N.V. Vermeiren N.V. 2011

Contents

Preface	2
1 Productdescription	3
1.1 Intended Use.....	3
1.2 Technical specifications	4
1.3 Drawing.....	5
1.4 Accessories.....	6
1.5 Location identification plate.....	6
1.6 Explanation of symbols.....	6
2 Use	6
2.1 Carrying the wheelchair	6
2.2 Mounting the rear wheels.....	7
2.3 Unfolding the wheelchair.....	7
2.4 Mounting or removing of the footrests	7
2.5 Operating the brakes.....	7
2.6 Mounting or removing of arm supports	8
2.7 Transfer in and out the wheelchair.....	9
2.8 Correct position in the wheelchair	10
2.9 Riding the wheelchair.....	10
2.10 Moving on slopes	10
2.11 Negotiating steps or kerbs	10
2.12 Fold up the wheelchair	12
2.13 Taking off the wheels	12
2.14 Transport in the car.....	12
2.15 Use of the wheelchair as seat in a motor vehicle	13
3 Installation and adjustment.....	15
3.1 Tools.....	15
3.2 Manner of delivery	15
3.3 Adjusting the seat height and seat angle	15
3.4 Adjusting the seat depth	18
3.5 Adjust the brakes.....	18
3.6 Adjusting of the footrests	19
3.7 Adjusting the arm support.....	20
4 Maintenance	20
4.1 Regular Maintenance.....	20
4.2 Shipping and storage	21
4.3 Care	21
4.4 Inspection	22
4.5 Disinfection	22
5 Guarantee	24
6 Disposal.....	24
7 Declaration of conformity	24
8 Maintenance plan	25
9 Disinfection book	25



Preface

First of all we want to thank you for putting your trust in us by selecting one of our wheelchairs.

The Vermeiren wheelchairs are the result of many years of research and experience. During the development, special attention was given to the ease of use and the serviceability of the wheelchair.

The expected lifetime of 8 years for your wheelchair is strongly influenced by the care and maintenance of the wheelchair.

This manual will help you get acquainted with the operation of your wheelchair.

Following the user instructions and the maintenance instructions are an essential part of the guarantee.

This manual reflects the latest product developments. Vermeiren has the right to introduce changes without the obligation to adapt or replace previously delivered models.

For any further questions, please consult your specialist dealer.

1 Productdescription

1.1 *Intended Use*

The wheelchair is intended for people with walking difficulties or no walking abilities.

The wheelchair is designed to transport 1 person.

The wheelchair is suited for indoor and outdoor use.

The user can propel the wheelchair by himself or have the wheelchair pushed by an attendant.

The different types of fittings and accessories, and the modular construction allow full use by persons disabled by:

- paralysis
- loss of limbs (leg amputation)
- limb defects or deformations
- stiff or damaged joints
- heart insufficiencies and poor blood circulation
- balance disturbances
- cachexia (decrease in muscle)
- and also for aged persons.

When providing for individual requirements:

- body size and weight (max. 130kg (286.6 lb.))
- physical and psychological condition
- residential circumstances
- environment

should be taken into consideration.

Your wheelchair should only be used on surfaces where all four wheels are touching the ground and where there is sufficient contact to propel the wheels equally.

You should practice for use on uneven surfaces (cobblestones, etc.), slopes, curves and to get past obstacles (kerbs, etc.).

The wheelchair should not be used as a ladder, nor is it a transport for heavy or hot objects.

When used on mats, carpeted floors or loose floor coverings, the floor covering can get damaged.

Use only Vermeiren approved accessories.

The manufacturer is not liable for damage caused by the lack of or improper service or as a result of not following instructions from this manual.

Compliance with the user and maintenance instructions are an essential part of the guarantee conditions.

1.2 Technical specifications

Technical terms below are valid for the wheelchair in standard settings.
If other footrest / arm support or other accessories are used, the tabulated values will change.

Make	Vermeiren					
Address	Vermeirenplein 1/15, B-2920 Kalmthout					
Type	Manual wheelchair					
Model	V200					
Maximum occupant mass	130 kg (286.6 lb.)					
	Min.			Max.		
Description	1010 mm (39.76 in.)					
Overall length with legrest	1010 mm (39.76 in.)					
Effective seat width	390 mm (15.35 in.)	420 mm (16.54 in.)	440 mm (17.32 in.)	460 mm (18.11 in.)	480 mm (18.90 in.)	500 mm (19.69 in.)
Overall width (depends on the seat width)	590 mm (23.23 in.)	620 mm (24.41 in.)	640 mm (25.20 in.)	660 mm (25.98 in.)	680 mm (26.77 in.)	700 mm (27.56 in.)
Folded length	1000 mm (39.37 in.)					
Folded width	320 mm (12.60 in.)					
Folded height	955 mm (37.60 in.)					
Total mass	16,5 kg (36.38 lb.)					
Mass of heaviest part	9 kg (19.84 lb.)					
Static stability downhill	10° (in standard configuration)					
Static stability uphill	7° (in standard configuration)					
Static stability sideways	18° (in standard configuration)					
Obstacle climbing	60 mm (2.36 in.)					
Seat plane angle	0°			10°		
Effective seat depth	440 mm (17.32 in.)			460 mm (18.11 in.)		
Seat surface height at front edge	440 mm (17.32 in.)			530 mm (20.87 in.)		
Backrest angle	5°					
Backrest height	400 mm (15.75 in.)					
Distance between footrest and seat	430 mm (16.93 in.)					
Angle between seat and footrest	8°					
Distance between armrest and seat	220 mm (8.66 in.)			240 mm (9.45 in.)		
Front location of armrest structure	410 mm (16.14 in.)					
Handrim diameter	535 mm (21.06 in.)					
Horizontal location of axle (deflection)	-40 mm (-1.57 in.)			34 mm (1.34 mm)		
Minimum turning radius	1500 mm (59.06 in.)					
Diameter Krypton PU Rear wheels	22"			24"		
Tyre pressure, rear (driving) wheels	Max. 3.5 bar					
Diameter Krypton PU steering wheels	200 mm (7.87 in.)					
Tyre pressure, steering wheels	Max. 2.5 bar					
Storage and use temperature	+ 5 °C (+41 °F)			+ 41 °C (+106 °F)		
Storage and use humidity	30%			70%		
We reserve the right to introduce technical changes. Measurement tolerance ± 15 mm / 1,5 kg / ° (0.59 in. / 3,3 lb. / 1,5°)						

Table 1: Technical specifications

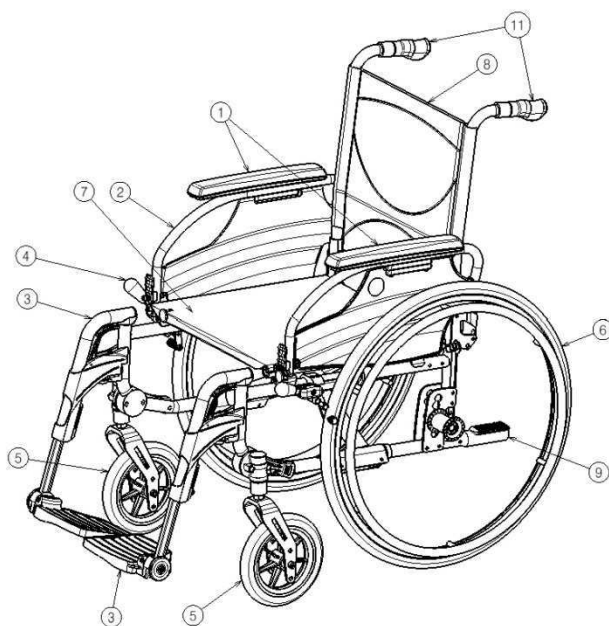
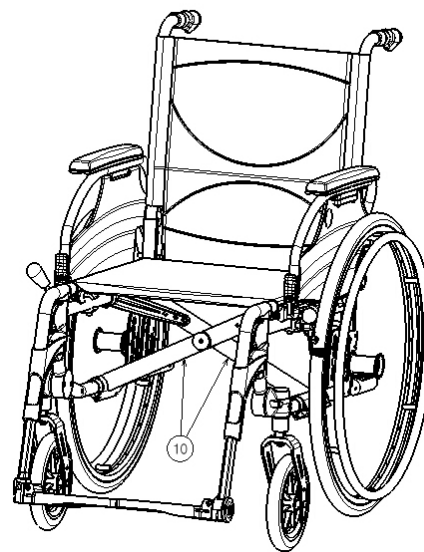
The wheelchair complies to the requirements set up in:

ISO 7176-8: Requirements and test methods for static, impact and fatigue strengths.

ISO 7176-16: Resistance to ignition of upholstered parts

ISO 7176-19: Wheeled mobility devices for use as seats in motor vehicles.

1.3 Drawing



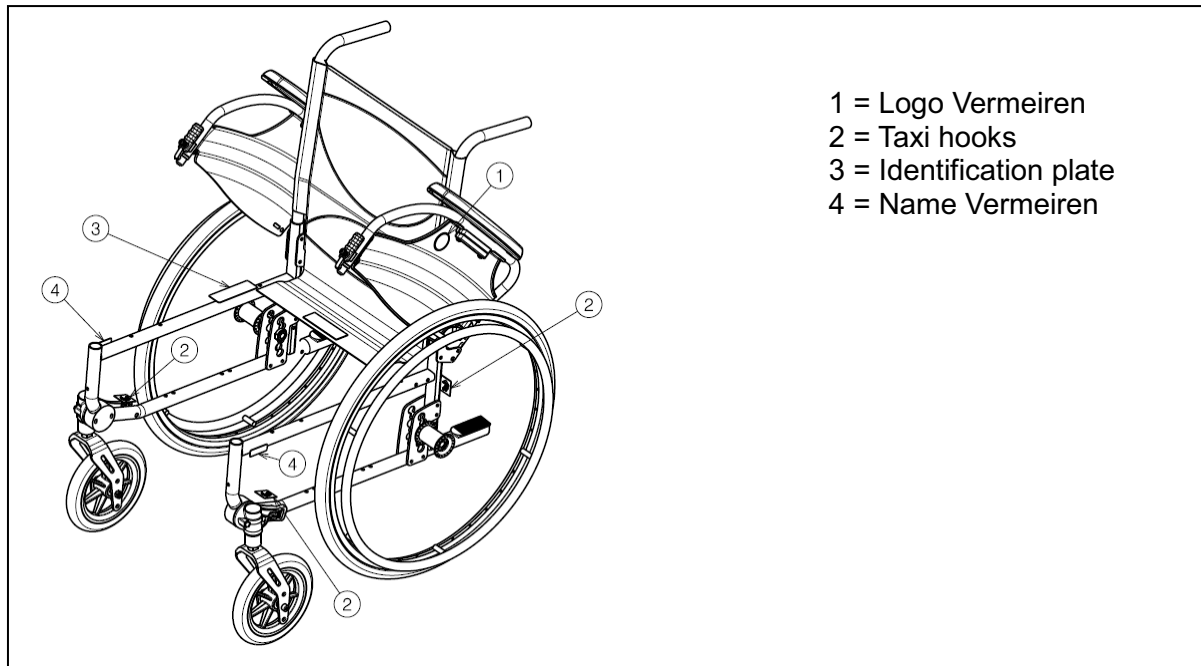
- 1 = Armrests
- 2 = Arm supports
- 3 = Footrests
- 4 = Brakes
- 5 = Steering wheels (front wheels)
- 6 = Driving wheels (rear wheels)
- 7 = Seat
- 8 = Back
- 9 = Tip cap
- 10 = Cross
- 11 = Handles

1.4 Accessories

The following accessories are available for the V200:

- Anterior pelvic belt (B20) for mounting on the tubes of the back (see according manual)
- Anti-tipping device (B78) for mounting on the bottom frame (see according manual).

1.5 Location identification plate



1.6 Explanation of symbols



Maximum mass



Indoor and outdoor use



Down slope



Up slope



CE conformity

2 Use

This chapter describes the everyday use. **These instructions are for the user and the specialist dealer.**

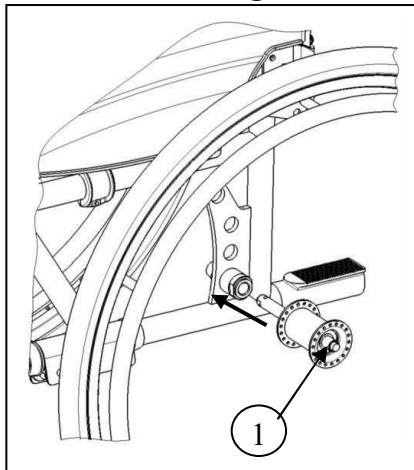
The wheelchair is delivered fully assembled by your specialist dealer. The instructions intended for the specialist dealer on how to set up the wheelchair are given in § 3.

2.1 Carrying the wheelchair

The best way to carry the wheelchair is to make use of the wheels and roll the wheelchair.

If this is not possible (e.g. when the rear wheels are taken off for transportation in a car), firmly grasp the frame on the front and the grips. Do not use the foot or arm rests or the wheels to grasp the wheelchair.

2.2 Mounting the rear wheels



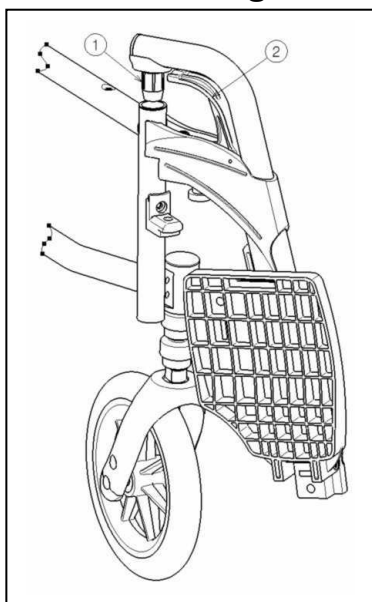
1. Take the rear wheel and push on button ①.
2. Keep the button pushed in and mount the rear wheels axle till it stops.
3. Release the button.
4. Check that the wheels is secured.

2.3 Unfolding the wheelchair

⚠ CAUTION: Risk of clamping – Keep fingers away from moving parts of the wheelchair.

1. Position yourself behind the wheelchair.
2. Use the hand-grips to open the wheelchair as much as possible.
3. Position yourself at the front of the wheelchair.
4. Push both seating tubes down till they are fixed in their position.

2.4 Mounting or removing of the footrests



The mounting of the footrests is done as follows:

1. Hold the footrest sideways at the outside of the wheelchairs frame and mount the tube hood ① into the frame.
2. Swing the footrest inwards till it clicks in position.
3. Swing the foot plate downwards.

To take off the footrests:

1. Pull handle ②.
2. Swing the footrest to the outside of the wheelchair till it comes loose from the guidance.
3. Pull the footrest from tube hood ①.

2.5 Operating the brakes

- ⚠ WARNING: The brakes aren't used to slow down the wheelchair during movements – Use the brake only to prevent the wheelchair from unintended movements.**
- ⚠ WARNING: Good operation of the brakes is influenced by wear and contamination of the tires (water, oil, mud, ...) – Check the condition of the tires before each use.**
- ⚠ WARNING: The brakes are adjustable and can wear – Check the operation of the brakes before each use.**

To apply the brakes:

1. Push the brake handles forward till you feel a distinctive click.

⚠ CAUTION: Risk of unintended movement – Make sure the wheelchair is on a flat horizontal surface before releasing the brakes. Never release both brakes simultaneously.

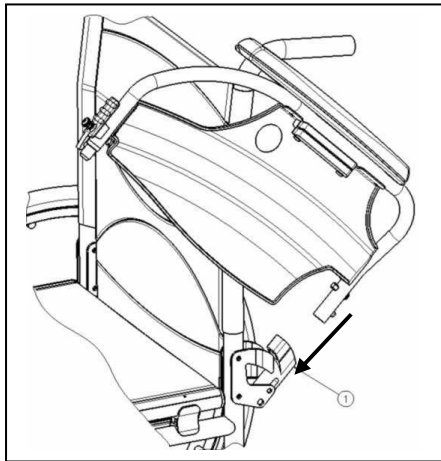
To release the brakes:

1. Release one brake by pulling the handle backwards.
2. Hold the hand-rim of the release wheel with your hand.
3. Release the second brake by pulling the handle backwards.

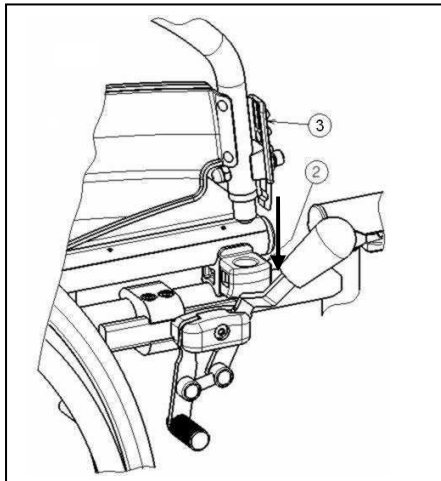
2.6 Mounting or removing of arm supports

The arm supports of the wheelchair can be mounted by following instructions.

⚠ CAUTION: Risk of clamping – Keep fingers, buckles and clothes away from the bottom side of the arm support.

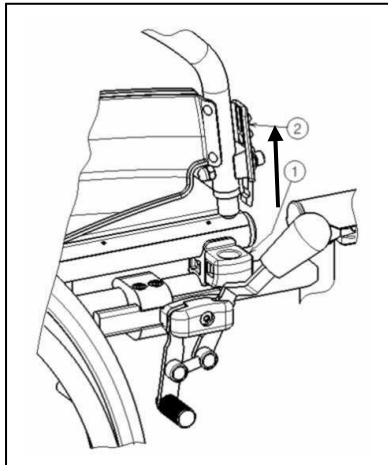


1. Mount the rear tube of the arm rest in tube hood ①.
2. Make sure the arm support clicks in the locking mechanism.
3. Fold the arm rest forward.



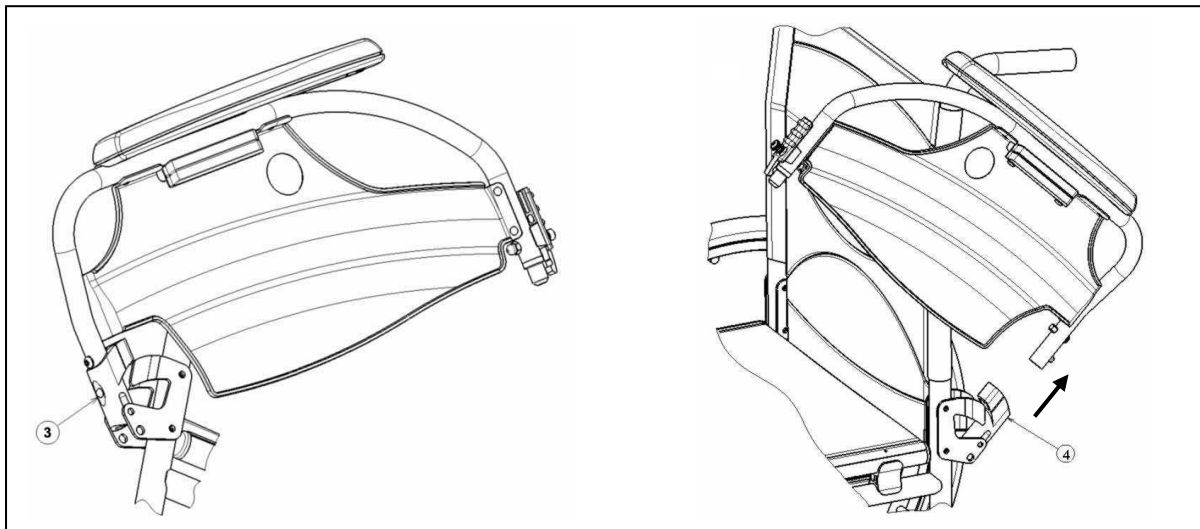
4. Click the front tube of the arm rest in tube hood ②.

To open and remove the arm rest:



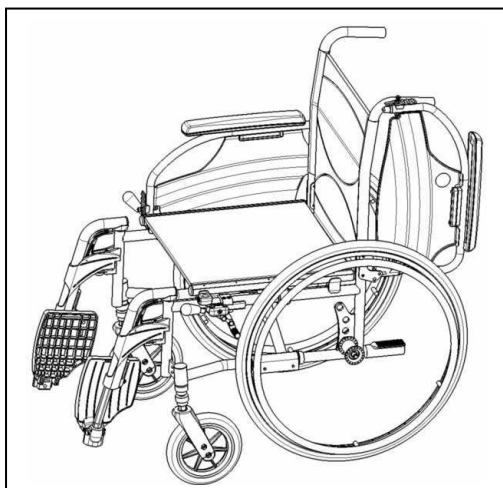
1. Press lever ② and pull the front of the arm rest upwards.
2. Fold the arm rest backwards.

3. To remove the arm rest, press button ③ and pull the rear of the arm support from tube hood ④.



2.7 Transfer in and out the wheelchair

- ⚠ **CAUTION:** In case you can not perform the transfer in a safe manner, ask someone to assist you.
- ⚠ **CAUTION:** Risk of tipping over of the wheelchair – Do not stand on the foot plates.



1. Position the wheelchair as close as possible to the chair, couch or bed to/from you wish to transfer.
2. Check both brakes from the wheelchair are in the on position.
3. Fold the foot plates upwards to prevent standing on them.
4. If the transfer is on the side of the wheelchair, fold the arm support on that side upwards. (see § 2.6)
5. Transfer to/from the wheelchair.

2.8 Correct position in the wheelchair

Some recommendations for a comfortable use of the wheelchair:

- Position your backside as close as possible to the back rest.
- Make sure your upper legs are horizontal – If needed adjust the length of the foot rests. (see § 3.6)

2.9 Riding the wheelchair

- ⚠ **WARNING: Risk of clamping – Prevent your fingers from being caught by the wheels spokes.**
- ⚠ **WARNING: Risk of clamping – Be careful passing through restricted passages (e.g. doors).**
- ⚠ **WARNING: Risk of burns – Be careful when driving in hot or cold environments (sunshine, extreme cold, saunas, etc.) for a sufficient amount of time and when touching - Surfaces can assume the environment temperatures.**

1. Release the brakes.
2. Take both hand rims at their highest position.
3. Lean forward and push the hand rims forward until straight arms.
4. Swing your arms loosely back to the hand rims topside and repeat the movement.

2.10 Moving on slopes

- ⚠ **WARNING: Control your speed – Moving on slopes as slow as possible.**
- ⚠ **WARNING: Consider the capacities of your attendant – If your attendant does not have enough force to control the wheelchair, put on the brakes.**
- ⚠ **WARNING: Risk of tipping over – Lean forward to move your centre of gravity forward. To improve a better stability.**



1. If available on the wheelchair, wear the safety belt.
2. Do not attempt moving on too high slopes. The maximum slope angles (upwards and downwards) are mentioned in table 1.
3. Ask an attendant to help you moving on the slope.
4. Lean forward to move your centre of gravity forward.

2.11 Negotiating steps or kerbs

2.11.1 Getting down steps or kerbs

Riding down low kerbs can be done moving forwards. Make sure that the foot rests don't touch the ground.

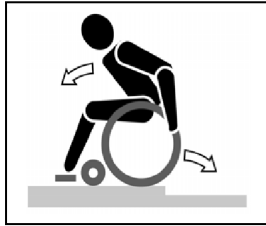


A practiced user can negotiate small steps or kerbs by himself:

- ⚠ **WARNING: Risk of tipping over – If you do not have enough experience with your wheelchair, ask assistance of an attendant.**
1. Bring balance on the rear wheels to reduce the pressure on the front wheels.
 2. Negotiate the kerbs.

Higher kerbs can be taken forward with an attendant:

1. Ask the attendant to tip the wheelchair slightly backwards.
2. Get past the kerbs while moving on the rear wheels.
3. Put the wheelchair back on the four wheels.



An experienced user can negotiate higher kerbs by himself. This is best done backwards.

1. Turn the wheelchair to have the rear wheels facing the kerb.
2. Lean forward to move your centre of gravity forward.
3. Move the wheelchair close to the kerbs.
4. Use the hand rim to roll-off wheelchair from the kerb in a controlled manner.

2.11.2 Moving up steps or kerbs

Moving up steps or kerbs with attendant as follows:



1. Prevent the foot rests from touching the kerb.
2. Ask the attendant to tip the wheelchair backwards, just enough to move the front wheels over the kerb.
3. Lean backwards to move your centre of gravity above the rear wheel.
4. Place the front wheels on the kerb.
5. Roll rear wheels of the wheelchair over the kerb.

Higher kerbs are negotiated backwards:

1. Turn the wheelchair to have the rear wheels facing the kerb.
2. Lean backwards and move your centre of gravity above the rear wheels.
3. Ask the attendant to pull the wheelchair on the kerb.
4. Take back the normal position in the wheelchair.

An experienced user can negotiate kerbs by himself:

⚠ WARNING: Risk of tipping over – If you haven't enough experience to control the wheelchair, get help from an attendant.



1. Drive until the kerbs.
2. Ensure that the footrest don't touch the kerbs.
3. Lean backwards so you are balancing on the rear wheels.



4. Role the frontwheels balancing over the kerbs.
5. Bend forwards for more stability.
6. Role the rear wheels over the kerbs.

2.11.3 Taking of stairs

Taking of stairs while you staying in the wheelchair shall be according following rules:

⚠ WARNING: Risk of tipping over – Taking of stairs shall always with 2 attendants.

1. Remove the footrests.
2. One attendant tip the wheelchair slightly backwards.
3. The second attendant take the front of the frame.
4. Stay calm, avoid sudden movements and keep your arms inside the wheelchair.
5. Take the steps on the rear wheels of the wheelchair.
6. Mounting the footrests back after taking the stair.

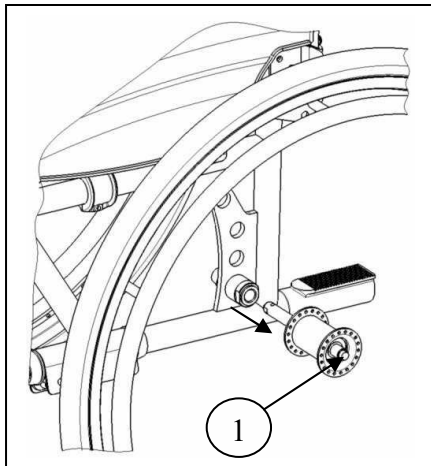
2.12 Fold up the wheelchair

⚠ CAUTION: Chance of pinching – Don't place fingers between the components of the wheelchair.

1. Fold or remove the footplates (see § 2.4).
2. Take the seat on the front side and backside and pull it up.

2.13 Taking off the wheels

To facilitate the transport off the wheelchair the rear wheels can be taken off:



1. Make sure the brakes standing in the off position.
2. Take the wheelchair to the side frame where you want to remove the wheel.
3. Press the button ① in the center of the wheel hub.
4. Pull the wheel away from the frame.

2.14 Transport in the car

⚠ WARNING: Risk of injury – See that the wheelchair is attached properly. So you can avoid injury from the passengers during collision or sudden braking.

⚠ WARNING: Risk of injury – Use for attaching the wheelchair and passenger NEVER the same seatbelt.

1. Remove footrests and accessories.
2. Store footrests and accessories safely.
3. If possible, fold the wheelchair and remove the wheels.
4. Place the wheelchair in the luggage place.
5. If the wheelchair and the passenger compartment is NOT separated, attach the frame of the wheelchair securely to the vehicle. You can use the available safety belts in the vehicle.

2.15 Use of the wheelchair as seat in a motor vehicle

- ⚠ **WARNING:** The wheelchair has passed the crash of ISO 7176-19: 2008 and, as such, has been designed and tested for use only as forward-facing seat in a motor vehicle.
- ⚠ **WARNING:** The wheelchair's pelvic belt alone is not suited as an occupant restraint belt.

The wheelchair is tested using the four-point strap-tie system and a 3-point occupant-restraint system.

Whenever feasible, use the seat of the vehicle and store the wheelchair in the cargo area.

Steps to secure the wheelchair in a motor vehicle:

1. Check that the vehicle is equipped with a suitable wheelchair tie down and occupant-restraint system, conform ISO 10542.
2. Check that the components of the wheelchair tie down and occupant restraint system are not frayed, contaminated, damaged or broken.
3. If equipped with an adjustable seat and/or back tilt, make sure that the wheelchair user is sitting as upright as possible. If the user's condition prevents this, a risk assessment should be done to evaluate the user's safety during transit.
4. Remove all mounted accessories such as trays and respiratory equipment, and secure them in a safe place.
5. Position the wheelchair facing forward in the travelling direction, centrally between the tie-down rails mounted in the floor of the vehicle.
6. Make sure that the indicated zones around the wheelchair user are clear from rigid vehicle parts.

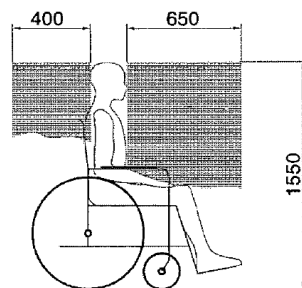


figure 1

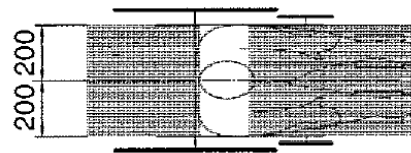


figure 2

7. Mount the front securement straps according to the instructions of the strap-system manufacturer at the indicated place. (figure 3)
This place is marked on the wheelchair with a symbol. (figure 4)
8. Roll back the wheelchair until the front straps are tight.
9. Apply the wheelchair brake.
10. Mount the back securement straps according to the instructions of the strap-system manufacturer at the indicated place. (figure 3)
11. This place is marked on the wheelchair with a symbol. (figure 4)

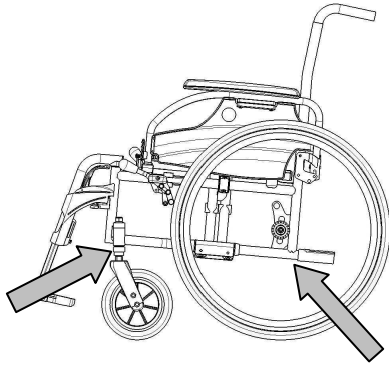


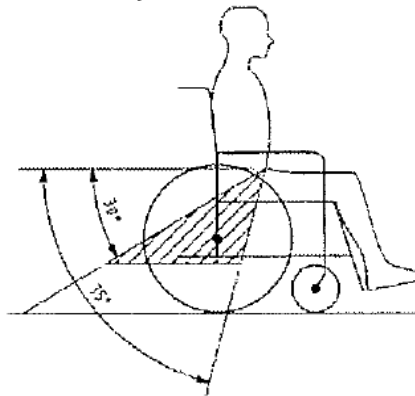
figure 3



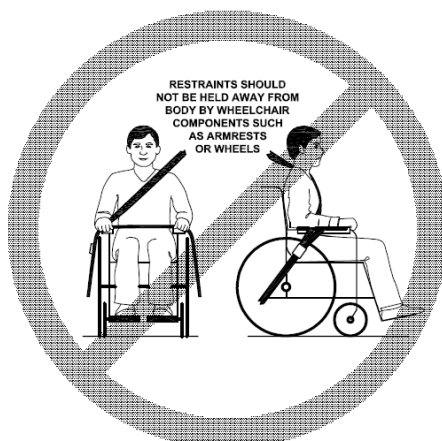
figure 4

Steps to secure the wheelchair user:

1. Remove both arm rests.
2. If present, attach the wheelchair's pelvic belt.
3. Attach the occupant restraint belts according to the instructions of the strap-system manufacturer.
4. Wear the pelvic belt low across the front of the pelvis, so that the angle of the pelvic belt is within the preferred zone of 30° to 75° to the horizontal, similar to that shown below.



5. A steeper (greater) angle within the preferred zone is desirable.
6. Adjust the belt tightly according to the instructions of the strap-system manufacturer, consistent with the user's comfort.
7. Ensure that the restraint belt connects in a straight line to the anchor point in the vehicle and that no bends in the belt are visible, for instance at the axle of the rear wheel.
8. Install the arm rests, if desired. make sure that belts are not twisted or held away from the body by wheelchair components such as arm rests or wheels.



3 Installation and adjustment

The instructions in this chapter are for the specialist dealer.

The Vermeiren V200 has been designed to be adjust with a minimum of replacements parts. There is no need for extra stock of spare parts.

To find a service facility or specialist dealer near you, contact the nearest Vermeiren facility. A list of Vermeiren facilities can be found on the last page.

⚠ WARNING: Risk of unsafe settings - Use only the settings described in this manual.

⚠ WARNING: Variation of allowed adjustments can still change the stability of your wheelchair (tilt back or sideways).

3.1 Tools

To set up the wheelchair the following tools are needed.

- Wrench set n° 7 to n° 22
- Allen keyset n° 3 to n° 8
- Screwdriver n° 4 to n° 5
- Screwdriver Phillips head

3.2 Manner of delivery

The Vermeiren V200 shall be delivered with:

- 1 frame with arm supports, rear and front wheels (standard delivery seat height: 500 mm (19.69 in.), seat angle: 5°)
- 1 pair footrests
- Tools
- Manual
- Accessories

3.3 Adjusting the seat height and seat angle

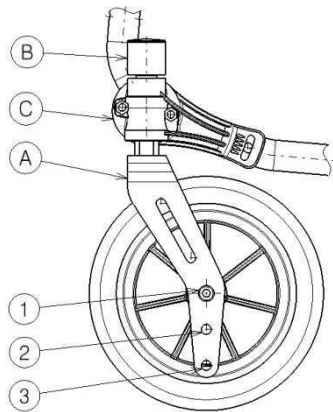
The Vermeiren V200 is adjustable in 4 seat heights and 5 seat angles (0°-2,5°-5°-7,5°-10°) by changing the position of the wheels for each height and angle there is a different setting of the front and rear wheels.

The summary of the different seat heights by a standard seat angle 5° is tabulated below.

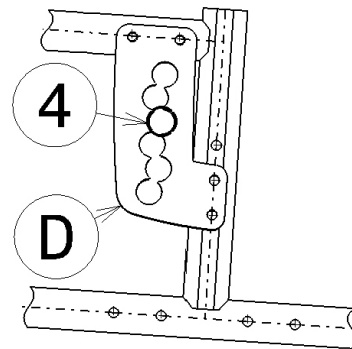
Seat height	Rear wheels		Front wheels	
	Hole	Position axle plate ④	Hole	Bushing ⑥ relative to castor stem housing ③
440 mm (17.32 in.)	④	Above	①	Above
470 mm (18.50 in.)	①	Under	①	Under
500 mm (19.69 in.) (Standard)	③	Under	②	Under
530 mm (20.87 in.)	⑤	Under	③	Under

Table 2: Seat heights by seat angle 5°

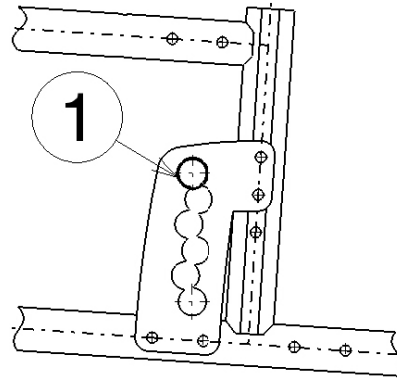
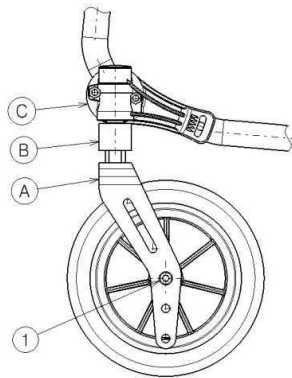
Front wheel



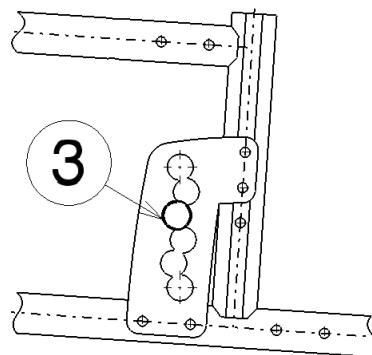
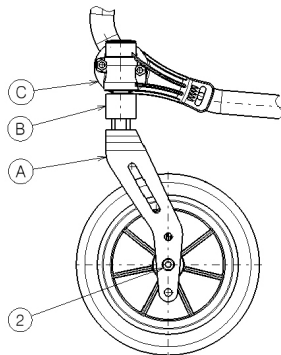
Axle plate rear wheels



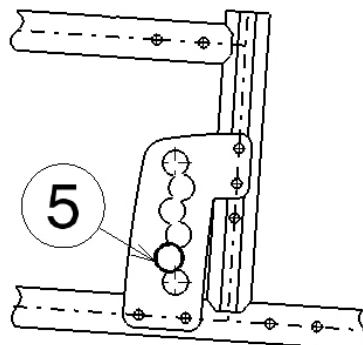
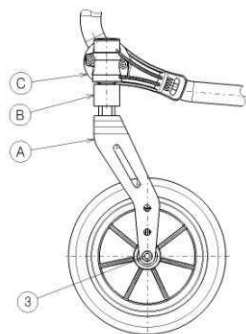
Seat height 440 mm (17.32 in)



Seat height 470 mm (18.50 in)



Seat height 500 mm (19.69 in) (standard)



Seat height 530 mm (20.87 in)

Change the seat height according the following steps:

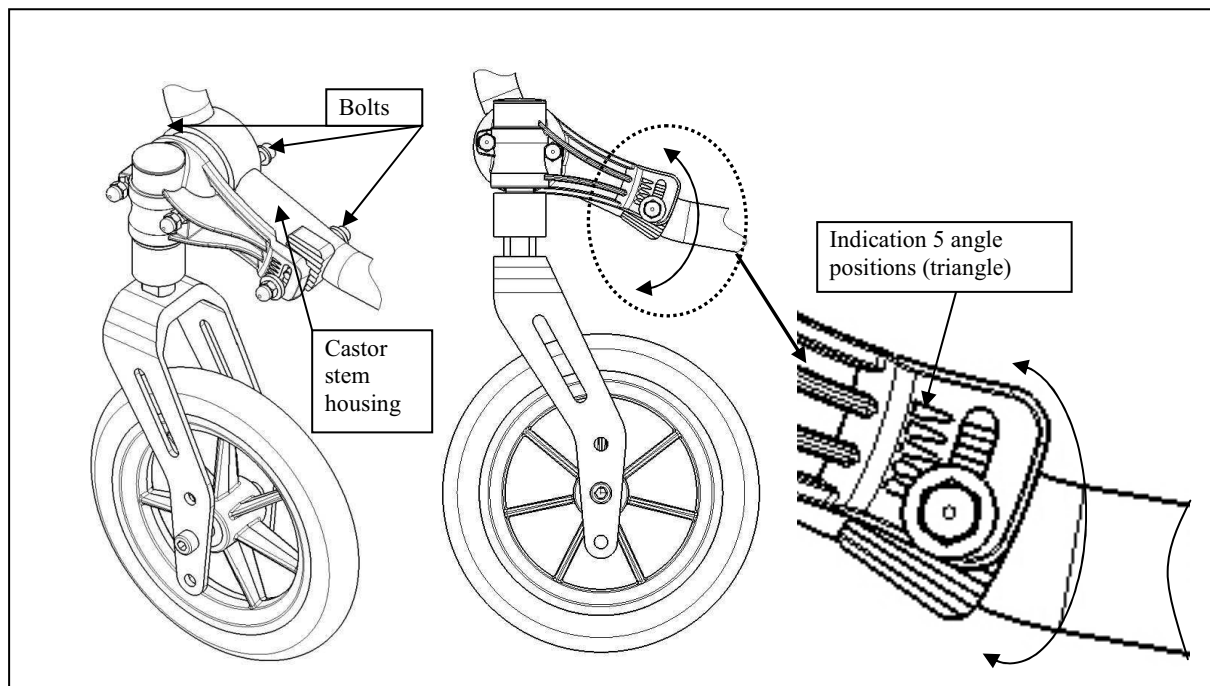
1. Remove the rear wheels (see § 2.132.13).
2. Screw the axle bushings of the rear wheels from the axle plate ⑩.
3. Assemble the axle bushings in the right hole of the axle plate, see Table 2 and previous figure.
4. Check if the axle bushings are fastened well.
5. Screw the swivel axes ⑨ of the front wheels loose.
6. Place the front wheels in the right hole of the front fork (table 2).
7. Place the bushings according table 2.
8. Install the swivel axes ⑨ of the front wheels and tighten them. Check the tension in the swivel axle ⑨ so it turn smoothly, but there is no space for motion.
9. Mount the rear wheels.
10. If installed properly the swivel axes of the front wheels and the ground must be perpendicular. Check this.
11. Adjust the brakes according § 3.5.

For other seat angle and seat height combinations, the above procedure can be used to adjust the front fork and axle plate in the right combination.

If you don't find the right combination you can always contact the company Vermeiren.

Check that the swivel axes are perpendicular to the ground. If necessary use the procedure below to adjust the castor stem housing:

1. Loosen the 3 bolts using a size 5 Allen key.
2. Adjust the castor stem housing to the desired angle.
3. Tighten the 3 bolts.

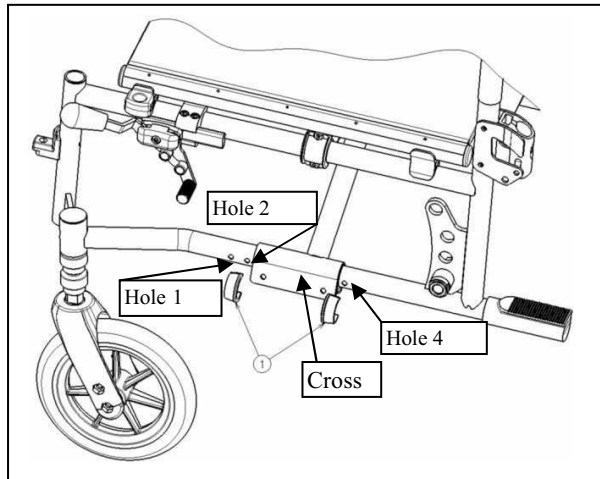


3.4 Adjusting the seat depth

The Vermeiren V200 is adjustable in 2 seat depths by changing the cross.

Seat depth	Cross
460 mm (18.11 in.)	Hole 1 and 3
440 mm (17.32 in.) (Standard)	Hole 2 and 4

Table 3: Seat depth



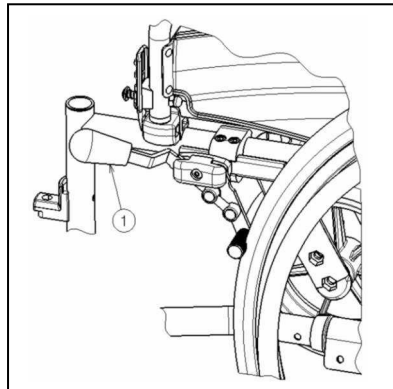
Change the seat depth according the following steps:

1. Remove both clips ①.
2. Move the cross in the desired position (see table 3).
3. Replace both clips ①.

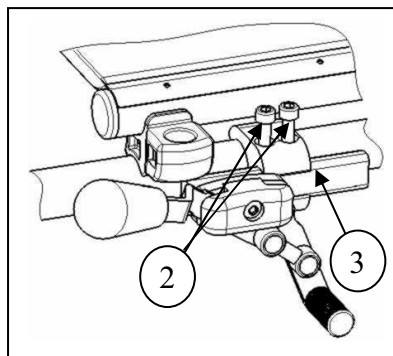
3.5 Adjust the brakes

⚠ WARNING: Risk of injury – Brakes may only be adjusted by your specialist dealer.

Adjust the brakes according following rules:



1. Install the wheels according § 2.2.
2. Disconnect the brakes by pulling lever ① backwards.

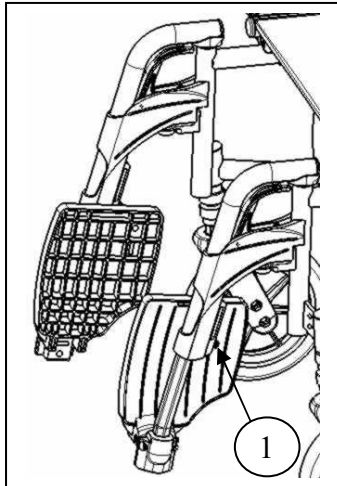


3. Loosen the bolts ② so the brake mechanism can slide over the guide ③.
4. Pull the brake mechanism over the guide ③ to the desired position.
5. Retighten the bolts ②.
6. Check working of the brakes.
7. If necessary repeat the above steps until the brakes are adjusted well.

3.6 Adjusting of the footrests

3.6.1 Length of the footrests

⚠ CAUTION: Risk of damage – Avoid that the footrests make any contact with the ground. Keep a minimum distance from 60 mm (2.36 in.) above the ground.



Adjust the length of the footrests as follow:

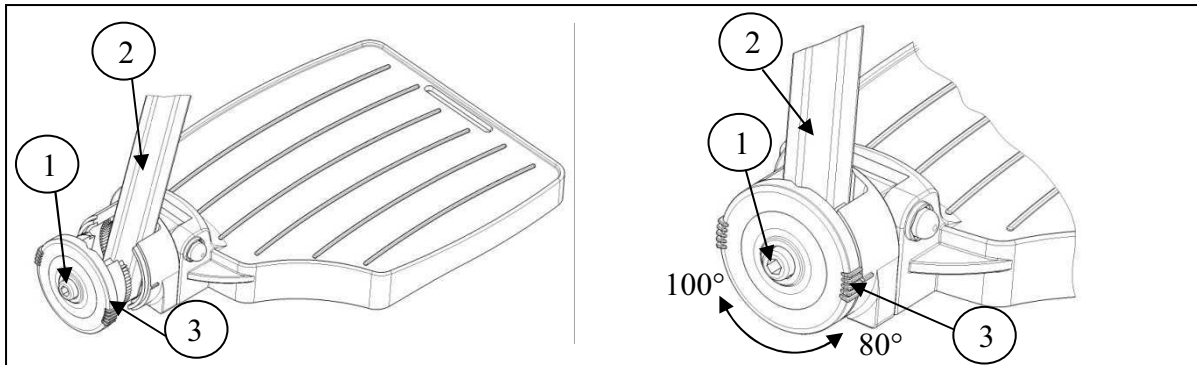
1. Remove the screw ① (on the back of the footrests).
2. Adjust the length of the footrest to a comfortable length.
3. Tighten the screw ① properly.

3.6.2 Adjusting the footplates

The footplates can be used in 2 positions. Standard they are adjusted with the base plate in the back position.

The footplates can be adjusted to the front by switching the left and right footplate.

3.6.3 Adjusting angle foot plates



Adjust the angle of the foot plates as follow:

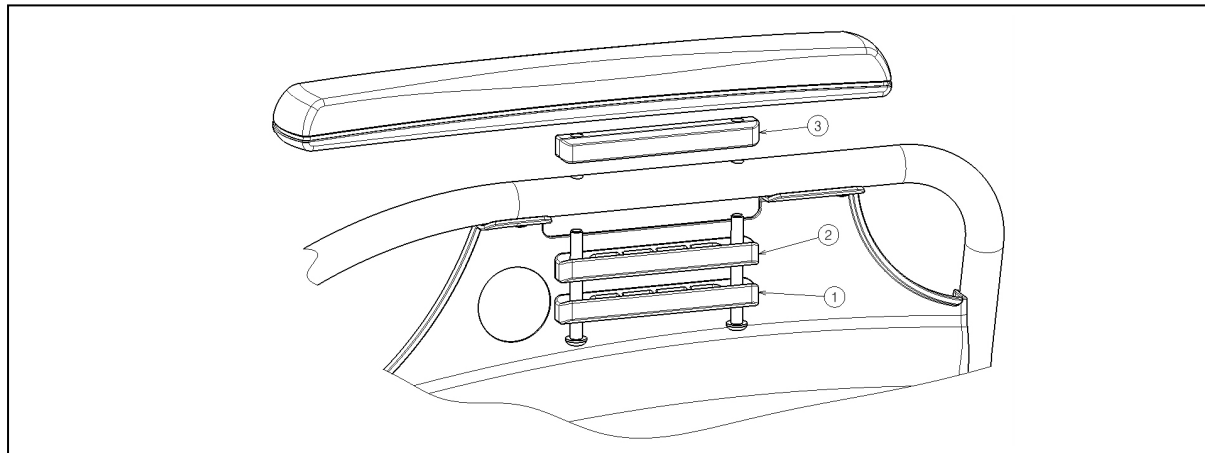
1. Loosen bolt ①.
2. Adjust tube ② in the desired angle. The angle indication (80°-85°-90°-95°-100°) is according the dashes ③.
3. Retighten the bolt ①.

3.7 Adjusting the arm support

The arm support of your wheelchair can be adjustable in height and depth. The height of the arm support can be adjusted in 3 positions.

Height armsupport to seat	Number of the blocks under the tube	Number of blocks between tube and armrests
220 mm (8.66 in.) (Standard)	2	1
230 mm (9.06 in.)	1	2
240 mm (9.45 in.)	0	3

Table 4: Height of arm support



The depth of the armrest can be adjusted in 3 positions.

Depth of the armrest	Used holes
Front position	Back and middle
Middle position (Standard)	Hole 2 and 4
Back position	Front and middle

Table 5: Depth of armrest

Adjust the height and the depth of the armrest as follow:

1. Remove both screws under the armrest.
2. Place the correct number of blocks under and above the tubes, see table 4.
3. Install the armrest with the required holes for depth adjustment.

4 Maintenance

The expected lifetime of this wheelchair amounts 8 years. Lifetime of the wheelchair is influenced by its use, storage, regular maintenance, servicing and cleaning.

4.1 Regular Maintenance

The maintenance activities to ensure a good condition for your Vermeiren wheelchair are described below:

- Before every ride
 - Check the tyres and make them clean. If necessary change the tire.
 - Check screw fastenings are secured.
 - Check the brakes and adjusted if necessary.
 - Check the wheelchair (cleanliness, cracks, damage on structural parts) and make it clean. If necessary change the coating.

- Every 8 weeks: inspected and lubricating or adjusting from
 - Arm supports
 - Footrests
 - Brake lever
 - Wheel axles
- Every 6 months or for every new user
 - General review
 - Disinfection
 - Frontwheels, possibly clean bearings

For your convenience, on the back of this manual is a maintenance plan.

Repairing and assembling of spare parts for your wheelchair may only be performed by the specialist dealer.

Only authorized Vermeiren spare parts may be installed.

4.2 Shipping and storage

The shipping and storage of the wheelchair shall be according following instructions:

- Store in a dry place (between +5 °C and +41 °C).
- The relative humidity of the air should be between 30% and 70%.
- Provide sufficient covering or packaging to protect the wheelchair from rust and foreign bodies. (e.g. salt water, sea air, sand, dust).
- Store all removed parts together in one place (or mark them if necessary) to avoid mixing up with other products when re-assembling.
- Components must be stored without being subjected to strains (Do not put too heavy parts on the wheelchair, not clamping between something, ...).

4.3 Care

4.3.1 Covers

The cleaning of the cover shall be according:

- Clean covers with a cloth moistened with hot water. Be aware that you do not soak the cover.
- Use a mild commercial detergent for removing stubborn dirt.
- Stains can be removed by using a sponge or a soft brush.
- Do not use strong cleaning liquids like solvents, nor use hard brushes.
- Never clean with steam and/or pressure washers.

4.3.2 Plastic parts

Clean plastic parts of your wheelchair with commercial plastic cleaners. Only use a soft brush or soft sponge.

Examples of plastic parts are the armrests, footrests, handles, tyres and

4.3.3 Coating

The high quality of the surface layer guarantees optimal protection against corrosion. If the outer coat is damaged by scratching or in some other way, get your specialist dealer to repair the affected surface.

When cleaning, only use warm water and normal household detergents and soft brushes and cloths. Ensure that no wetness gets into the tubes.

Initially the zinc parts only require rubbing with a dry cloth. Stubborn dirt can best be removed by using a suitable commercial zinc polish.

4.4 Inspection

In principle we recommend one inspection every year, and a minimum of one before usage is resumed. All of the following checks must be performed and documented by authorized persons:

- Check the frame parts and the hinged tubes for plastic deformation, cracks and impaired functioning.
- Visually check for damage to the paintwork (danger of corrosion)
- Check the operation of the wheels (free running, level rolling, axle play, tyres, profile, condition of the rims, air pressure in the case of air tyres, floating axles, etc.)
- Check the solidity and seating of all screws.
- Verify the amount of grease on the metal joints of movable parts
- The condition and security of the guides and axles of the steering wheels
- Visually check all plastic parts for cracks and brittle spots
- Check the functioning of the armrests and leg supports (locking, load, deformation, wear caused by loads).
- Check the operation of other detachable parts (example: anti-tipping device, personal safety belt, fitting back/seat, etc.)
- Completeness of the delivery condition, instruction manual available?

The service must only be signed off in the maintenance plan if a minimum of all the above-mentioned aspects have been checked.

4.5 Disinfection

- ⚠ **WARNING: Dangerous Products - The use of disinfectants is restricted to authorized personnel.**
- ⚠ **WARNING: Dangerous Products, change on irritate your skin - You should wear suitable protective clothing because the disinfectants could irritate your skin. For this purpose you should also take note of the product information of the solutions concerned.**

All parts of the wheelchair can be treated by scrubbing with a disinfectant.

All steps taken to disinfect rehabilitation equipment, their components or other accessory parts are to be recorded in a disinfection report containing a minimum of the following information (with product documentation appended):

Date of the disinfection	Reason	Specification	Substance and concentration	Signature
--------------------------	--------	---------------	-----------------------------	-----------

Table 6: Example of a disinfection book

Abbreviations used in column 2 (reason):

V = Suspected infection IF = Infection case W = Repetition I = Inspection

For a blank sheet of a disinfection book see § 9.

The recommended disinfectants for scrubbing (based on the list provided by the Robert Koch Institute, RKI) are standing in the table below. The current state of the disinfectants included in the RKI list can be obtained from the Robert Koch Institute (RKI) (homepage: www.rki.de).

Active substance	Product name	Laundry disinfection		Surface disinfection (scrubbing-/wiping disinfection)		Disinfection of excretions 1 part sputum or stools + 2 parts diluted solution or 1 part urine + 1 part diluted solution						Area of effectiveness	Manufacturer or Supplier
		Diluted solution	Time to take effect	Diluted solution	Time to take effect	Sputum		Stools		Urine			
						%	Hr.	%	Hr.	%	Hr.		
		%	Hr.	%	Hr.	%	Hr.	%	Hr.	%	Hr.		
Phenol or phenol derivative	Amocid	1	12	5	6	5	4	5	6	5	2	A	Lysoform
	Gevisol	0,5	12	5	4	5	4	5	6	5	2	A	Schülke & Mayr
	Helipur			6	4	6	4	6	6	6	2	A	B. Braun
	m-cresylic soap solution (DAB 6)	1	12	5	4							A	
	Phenol	1	12	3	2							A	
Chlorine, organic or inorganic substances with active chlorine	Chloramin-T DAB 9	1,5	12	2,5	2	5	4					A ¹ B	
	Clorina	1,5	12	2,5	2	5	4					A ¹ B	Lysoform
	Trichlorol	2	12	3	2	6	4					A ¹ B	Lysoform
Per combinations	Apesin AP100 ²			4	4							AB	Tana PROFESSIONAL
	Dismozon pur ²			4	1							AB	Bode Chemie
	Perform ²			3	4							AB	Schülke & Mayr
	Wofesterii ²			2	4							AB	Kesla Pharma
Formaldehyde and/or other aldehydes or derivatives	Aldasan 2000			4	4							AB	Lysoform
	Antifect FD 10			3	4							AB	Schülke & Mayr
	Antiseptica surface disinfection 7			3	6							AB	Antiseptica
	Apesin AP30			5	4							A	Tana PROFESSIONAL
	Bacillocid special			6	4							AB	Bode Chemie
	Buraton 10F			3	4							AB	Schülke & Mayr
	Desomed A 2000			3	6							AB	Desomed
	Hospital disinfectant cleaner			8	6							AB	Dreiturm
	Desomed Perfekt			7	4							AB*	Desomed
	Formaldehyde-solution (DAB 10), (formaline)	1,5	12	3	4							AB	
	Incidin Perfekt	1	12	3	4							AB	Ecolab
	Incidin Plus			8	6							A	Ecolab
	Kohrsolin	2	12	3	4							AB	Bode Chemie
	Lysoform	4	12	5	6							AB	Lysoform
	Lysoformin	3	12	5	6							AB	Lysoform
	Lysoformin 2000			4	6							AB	Lysoform
	Melsept	2	12	4	6							AB	B. Braun
	Melsitt	4	12	10	4							AB	B. Braun
	Minutil	2	12	6	4							AB	Ecolab
	Multidor			3	6							AB	Ecolab
Nüscosept			5	4							AB	Dr. Nüsken Chemie	
Optisept			7	4							AB*	Dr. Schumacher	
Pursept-FD			7	4							AB*	Merz	
Ultrasol F	3	12	5	4							AB	Fresenius Kabi	
Amphoteric surfactants (amfotensiden)	Tensodur 103	2	12									A	MFH Marienfelde
Lye	Lime-milk ³							20	6			A ³ B	

1 Not effective against myco-bacteria when service disinfecting, especially in the presence of blood.

2 Not suitable for disinfecting blood-contaminated or porous surfaces (e.g. raw wood).

3 Useless for tuberculosis; preparation of Lime-milk: 1 part dissolved lime (calcium hydroxide) + 3 parts water.

* Checked for effectiveness on viruses in accordance with checking methods of the RKI (Federal Health Reporting 38 (1995) 242).

A: Suitable for killing vegetative bacterial germs including myco-bacteria as well as fungi, including fungal spores.

B: Suitable for deactivating viruses.

Table 7: Disinfectants

Kindly consult your specialist dealer if you have queries on matters related to disinfection; he will gladly assist you.

5 Guarantee

Excerpt from the "General Business Conditions":

(...)

5. The guarantee period for warranty claims is 24 months. As a result of our superior quality requirements, we can increase the time bar on warranty claims beyond these fundamental, statutory requirements for

(...)

-Frame and cross-hinge of wheelchairs

4 years

The guarantee excludes damage arising from structural changes to our products, insufficient maintenance, defective or improper handling or storage or the use of non-original parts. Likewise, the guarantee excludes parts or working parts subject to natural wear and tear.

(...)

6 Disposal

When disposing of the wheelchair, contact your local disposal centre or return the product to your specialist dealer who, after submitting it to a hygienic procedure, will be able to send it back to the manufacturer who will dispose of and recycle it correctly, separating it into its component materials.

Packaging materials can be taken to disposal or recycling centers or to your specialist dealer.

7 Declaration of conformity

The manufacturer or his authorized representative :

N.V. VERMEIREN N.V

Address :

Vermeirenplein 1/15

2920 Kalmthout

Belgium

declares under his sole responsibility that the CE marked medical devices :

Productgroup: Manual wheelchairs

Brand: Vermeiren

Type: V200

have been classified as class I, according to annex IX MDD 93/42/EEC, rule 1,

and is manufactured in full conformity with the European instructions below - including the latest modifications - and with the national law, that organizes this directions :

Medical devices directive MDD 93/42/EEC

and is in conformity with the relevant European harmonized standards:

EN 12182: 1999, EN 12183: 2009



8 Maintenance plan

Date	Maintenance	Remarks	Paraph
1/1/2011	<i>Greasing and general servicing</i>	<i>non</i>	

9 Disinfection book

Date of the disinfection	Reason	Specification	Substance and concentration	Signature

Abbreviations used in column 2 (reason):
V = Suspected infection IF = Infection case W = Repetition I = Inspection



Notes

A series of horizontal dotted lines for writing notes.

ITALIANO

GARANZIA CONTRATTUALE

La carrozzine manuali sono garantite 5 anni, la carrozzine ultra leggera 4 anni. Le carrozzine elettroniche, tricicli, letti e altri prodotti: 2 anno contro tutti i difetti di costruzione o di materiale (batterie 6 mesi). Multiposizioni 3 anni. Questa garanzia e' limitata alle sostituzione di parti riconosciute difettose.

CONDIZIONI

Per far valere la garanzia, e' necessario indirizzarla al vostro distributore di fiducia che presentera' al produttore il tagliando.

RISERVE

Questa garanzia non potra' essere applicata nei seguenti casi:

- danno dovuto al cattivo ed improprio utilizzo della carrozzina,
- danno subito durante il trasporto,
- incidente o caduta,
- smontaggio, modifica, o riparazione effettuate in proprio,
- usura abituale della carrozzina,
- invio del tagliando di garanzia con la data di acquisto.



B

Naam/Nom/Name

Name/Nome

Adres/Adresse/Address

Adresse/Indirizzo

Woonplaats/Domicile/Home

Wohnort/Citta

E-mail

Artikel/Article/Article

Articolo

Reeks nr./N° de série/Serie nr.

Serien-Nr./No. di serie

Aankoopdatum/Date d'achat/Date of purchase

Kaufdatum/Data di acquisto

Stempel verkoper/Timbre du vendeur

Dealer stamp/Händlerstempel

Timbro del rivenditore

VERMEIREN



**WAARBORG
GARANTIE
WARRANTY
GARANTIE
GARANZIA**

N.V. VERMEIREN N.V.
VERMEIRENPLEIN 1-15
B-2920 Kalmthout
Tel.: 00 32 (0)3 620 20 20
Fax: 00 32 (0)3 666 48 94
www.vermeiren.com

A

Naam/Nom/Name

Name/Nome

Adres/Adresse/Address

Adresse/Indirizzo

Woonplaats/Domicile/Home

Wohnort/Citta

E-mail

Artikel/Article/Article

Articolo

Reeks nr./N° de série/Serie nr.

Serien-Nr./No. di serie

Aankoopdatum/Date d'achat/Date of purchase

Kaufdatum/Data di acquisto

Stempel verkoper/Timbre du vendeur

Dealer stamp/Händlerstempel

Timbro del rivenditore

NEDERLANDS

CONTRACTUELE GARANTIE

Op de manuele rolstoelen geven wij 5 jaar, lichtgewicht rolstoelen 4 jaar. Op de elektronische rolstoelen, driewielers, bedden en andere producten : 2 jaar waarbij op constructie - of materiaalouder (batterijen 6 maanden). Op multipositie rolstoelen geven we 3 jaar waarbij. Deze garantie is uitsluitend beperkt tot de vervanging van defecte stukken of onderdelen.

TOEPASSINGSVOORWAARDEN

Om aanspraak te kunnen maken op de waarborg, bezorgt u het garantiecertificaat dat u heeft bewaard, aan uw Vermeiren dealer. De waarborg is enkel geldig in de zetel van de onderneming.

UITZONDERINGEN

Deze garantie is niet van toepassing in geval van:

- schade te wijten aan het verkeerd gebruik van de rolstoel,
- beschadiging tijdens het transport,
- een val of een ongeval
- een demontage, wijziging of herstelling uitgevoerd buiten onze firma,
- normale slijtage van de rolstoel,
- niet inzenden van de garantiestrook.

FRANCAIS

GARANTIE CONTRACTUELLE

Les fauteuils manuels standard sont garantis 5 ans, les fauteuils ultra légers 4 ans. Les fauteuils électroniques, tricycles, lits et autres produits: 2 ans contre tous vices de construction ou de matériaux (batteries 6 mois). Fauteuils multiposition 3 ans. Cette garantie est expressément limitée au remplacement des éléments ou pièces détachées reconnues défectueuses.

CONDITIONS D'APPLICATION

Pour prétendre à cette garantie, il faut présenter le certificat de garantie que vous avez conservé à votre distributeur Vermeiren. La garantie est uniquement valable au siège de la société.

RESERVES

Cette garantie ne pourra être appliquée en cas de:

- dommage dû à la mauvaise utilisation du fauteuil,
- endommagement pendant le transport,
- accident ou chute,
- démontage, modification ou réparation fait en dehors de notre société,
- usure normale du fauteuil,
- non retour du coupon de garantie.

ENGLISH

CONTRACTUAL WARRANTY

We offer 5 years of warranty on standard wheelchairs, lightweight wheelchairs 4 years. Electronic wheelchairs, tricycles, beds and other products: 2 years (batteries 6 months) and multiposition wheelchairs 3 years. This warranty is limited to the replacement of defective or spare parts.

APPLICATION CONDITIONS

In order to claim this warranty, part "B" of this card has to be given to your official Vermeiren dealer. The warranty is only valid when parts are replaced by Vermeiren in Belgium.

EXCEPTIONS

This warranty is not valid in case of:

- damage due to incorrect usage of the wheelchair,
- damage during transport,
- involvement in an accident,
- a dismount, modification or repair carried outside of our company and/or official Vermeiren dealership,
- normal wear of the wheelchair,
- non-return of the warranty card

DEUTSCH

GARANTIEERKLÄRUNG

Wir garantieren, dass für unsere Rollstühle hochwertige Produkte verwendet werden, die in sorgfältiger Verarbeitung nach dem neuesten Stand der Technik montiert werden. Bevor Ihr Rollstuhl unser Werk verlassen hat, wurde er einer eingehenden Endkontrolle unterzogen, um auch letzte, eventuell vorhandene Mängel aufzuspüren.

Auf Standardrollstühle gewähren wir eine Garantie von 5 Jahren, auf Leichtgewichtrollstühle 4 Jahre, auf elektronische Rollstühle, Dreiräder, Betten und andere Produkte: 2 Jahre (Batterien 6 Monate), auf Multifunktionsrollstühle 3 Jahre.

In dieser Garantie eingeschlossen sind alle Mängel, die auf einen Produkt- oder Verarbeitungsfehler zurückzuführen sind. Dieser Garantie unterliegen keine Schäden aus unsachgemäßer Benutzung. Ebenfalls sind Verschleißteile von der Garantie ausgenommen.

Sollte einmal der Fall eingetreten sein, dass Sie aus berechtigtem Grunde mit Ihrem Rollstuhl unzufrieden sind, so wenden Sie sich bitte unverzüglich an Ihren Fachhändler. Er wird sich in enger Zusammenarbeit mit uns darum bemühen, eine für Sie zufriedenstellende Lösung zu finden.

A

- terugsturen binnen de 8 dagen na aankoop of registreer uw product via onze website, <https://www.vermeiren.be/registration>
- à renvoyer dans les 8 jours après achat ou registrar votre produit sur notre site, <https://www.vermeiren.be/registration>
- please return within 8 days of date of purchase or register your product at our website, <https://www.vermeiren.be/registration>
- zurückschicken innerhalb von 8 Tagen nach kauf oder registrieren Sie Ihr Produkt auf unserer website, <https://www.vermeiren.be/registration>
- da restituire entro 8 giorni dalla data di acquisto o registri il vostro prodotto al nostro web site, <https://www.vermeiren.be/registration>

B

- in geval van herstelling, kaart "B" bijvoegen.
- en cas de réparation, veuillez ajouter la carte "B".
- in case of repair, please add part "B".
- im Falle einer Reparatur, Karte "B" beifügen
- in case di riparazione, ripescare la carta "B".

N.V. VERMEIREN N.V.
Vermeirenplein 1/15
B-2920 Kalmthout
BELGIUM





SERVICE

The manual wheelchair was serviced:

Dealer's stamp:

Date:

Dealer's stamp:

Date:

Dealer's stamp:

Date:

Dealer's stamp:

Date:

Dealer's stamp:

Date:

Dealer's stamp:

Date:

Dealer's stamp:

Date:

Dealer's stamp:

Date:

Dealer's stamp:

Date:

Dealer's stamp:

Date:

- For service checklists an additional technical information, please see our specialist dealers nearest to you. More information on our website at: www.vermeiren.com.

Belgium

N.V. Vermeiren N.V.

Vermeirenplein 1 / 15
B-2920 Kalmthout
Tel: +32(0)3 620 20 20
Fax: +32(0)3 666 48 94
website: www.vermeiren.be
e-mail: info@vermeiren.be

Germany

Vermeiren Deutschland GmbH

Wahlerstraße 12 a
D-40472 Düsseldorf
Tel: +49(0)211 94 27 90
Fax: +49(0)211 65 36 00
website: www.vermeiren.de
e-mail: info@vermeiren.de

France

Vermeiren France S.A.

Z. I., 5, Rue d'Ennevelin
F-59710 Avelin
Tel: +33(0)3 28 55 07 98
Fax: +33(0)3 20 90 28 89
website: www.vermeiren.fr
e-mail: info@vermeiren.fr

Austria

L. Vermeiren Ges. mbH

Winetzhammerstraße 10
A-4030 Linz
Tel: +43(0)732 37 13 66
Fax: +43(0)732 37 13 69
website: www.vermeiren.at
e-mail: info@vermeiren.at

Italy

Reatime S.R.L.

Via Torino 5
I-20039 Varedo MI
Tel: +39 0362 55 49 50
Fax: +39 0362 54 30 91
website: www.reatime.it
e-mail: info@reatime.it

Switzerland

Vermeiren Suisse S.A.

Hühnerhubelstraße 59
CH-3123 Belp
Tel: +41(0)31 818 40 95
Fax: +41(0)31 818 40 98
website: www.vermeiren.ch
e-mail: info@vermeiren.ch

Poland

Vermeiren Polska Sp. z o.o

ul. Łączna 1
PL-55-100 Trzebnica
Tel: +48(0)71 387 42 00
Fax: +48(0)71 387 05 74
website: www.vermeiren.pl
e-mail: info@vermeiren.pl

The Netherlands

Vermeiren Nederland B.V.

Domstraat 50
NL-3864 PR Nijkerkerveen
Tel: +31(0)33 2536424
Fax: +31(0)33 2536517
website: www.vermeiren.com
e-mail: info@vermeiren.be

Spain

Vermeiren Iberica, S.L.

Trens Petits, 6. - Pol. Ind. Mas Xirgu.
17005 Girona
Tel: +34 902 48 72 72
Fax: +34 972 40 50 54
website: www.vermeiren.es
e-mail: info@vermeiren.es

Czech Republic

Vermeiren ČR S.R.O.

Sezemická 2757/2 - VGP Park
193 00 Praha 9 - Horní Počernice
Tel: +420 731 653 639
Fax: +420 596 121 976
website: www.vermeiren.cz
e-mail: info@vermeiren.cz