

User manual

MANUEL D'UTILISATION
GEBRUIKSAANWIJZING
GEBRAUCHSANWEISUNG
MANUALE DI ISTRUZIONI
MANUAL DE INSTRUCCIONES
INSTRUKCJA OBSŁUGI
NÁVOD K OBSLUZE

Bobby Evo





Contents

Contents	1
Preface	2
1 Your Product	3
1.1 Accessories	3
2 Before Use	4
2.1 Intended Use	4
2.2 General Safety Instructions	4
2.3 Explanation Of Symbols	4
2.4 Storage	4
3 Using Your Wheelchair	5
3.1 Moving The Wheelchair Out Of The Way	5
3.2 Transport	5
3.3 Unfolding/Folding The Manual Wheelchair	6
3.4 Mounting/Dismounting The Footrests	6
3.5 Unfolding/Folding The Backrest	7
3.6 Parking Brakes	7
3.7 Mounting Or Removing Of Arm Supports (Optional)	8
3.8 Moving To/From Your Wheelchair	8
3.9 Riding	9
4 Installation And Adjustments	11
4.1 Scope Of Delivery	11
4.2 Tools	11
4.3 Brake Adjustment	11
4.4 Footrest Length	12
5 Maintenance	13
5.1 Points Of Maintenance	13
5.2 Instructions For Maintenance	13
5.3 Troubleshooting	14
5.4 Expected Lifespan	14
5.5 End Of Use	14
6 Technical Specifications	15

Preface

Congratulations! You are now owner of a Vermeiren wheelchair!

This wheelchair is made by qualified and committed personnel. It is designed and produced according to high quality standards, guarded by Vermeiren.

Please read this manual carefully; it will help you to get familiar with the operation, capabilities and limitations of your wheelchair. If you still have questions after reading this manual, do not hesitate to contact your specialist dealer. He/she will be glad to help you.

Important note

To ensure your safety and to prolong the lifetime of your product, please take good care of it and have it checked and serviced on a regular basis.

This manual reflects the latest product developments. Vermeiren has the right to implement changes to this type of product without any obligation to adapt or replace similar products previously delivered.

Pictures of the product are used to clarify the instructions in this manual. Details of the depicted product may deviate from your product.

Information available

On our website <http://www.vermeiren.com/> you will always find the most recent version of the following information. Please consult this website regularly for possible updates.

Visually impaired people can download the electronic version of this manual and have it read out by means of a text-to-speech software application.



User manual

For user and specialist dealer



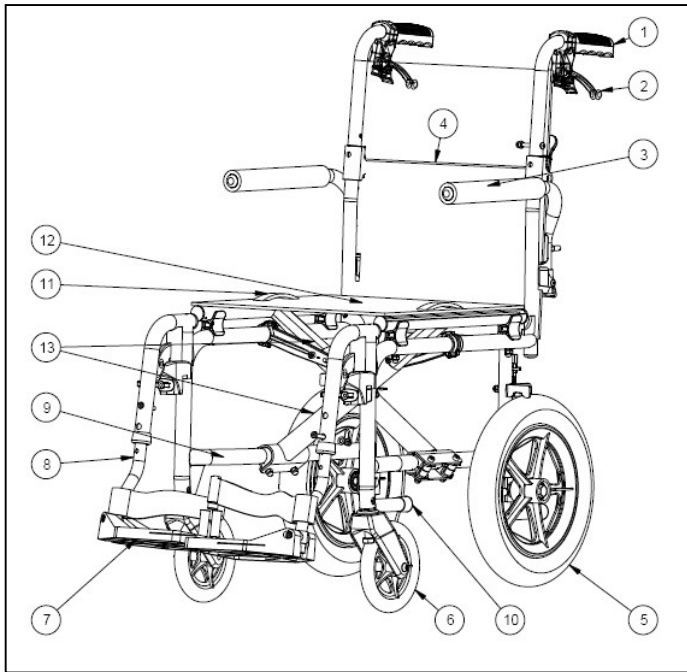
Service manual for wheelchairs

For specialist dealer



EC declaration of conformity

1 Your product



1. Handgrips
2. Handbrake
3. Arm pad
4. Backrest
5. Rear wheel
6. Steering wheel (front wheel)
7. Footplate
8. Footrest
9. Identification plate
10. Tipping cap
11. Seat cushion handle
12. Seat cushion
13. Cross braces

1.1 Accessories

The following accessories are available for Bobby Evo:

- Safety belt (B20)
- B03 armrest

2 Before use

2.1 Intended use

- Indications and contraindications: The user has the wheelchair pushed by an attendant. The wheelchair is intended for people with walking difficulties, to be used non-permanently and for transport purposes. The different types of fittings and accessories, and the modular construction allow full use by aged persons.
- The wheelchair is suited for indoor and outdoor use.
- The wheelchair is designed to transport one (1) person with a maximum weight of 115 kg. It is not designed for transport of goods or objects, nor for any other use than previously described.
- Only use accessories and spare parts approved by Vermeiren.
- Please read all technical details and limits of your wheelchair in chapter 6.
- The warranty on this product is based on normal use and maintenance as described in this manual. Damage to your product caused by improper use or lack of maintenance will cause the warranty to lapse.

2.2 General safety instructions

 CAUTION Risk of injuries and/or damage

Carefully read and follow the instructions in this manual. Otherwise you may get injured or your wheelchair may get damaged.





Keep the following general warnings in mind during use:

- Do not use your wheelchair if you are under influence of alcohol, medicines or other substances that may influence your riding abilities.
- Be aware that some parts of your wheelchair may get very hot or cold due to ambient temperature, solar radiation, heating devices. Be careful when touching. Wear protective clothing if the weather is cold.
- Do not modify your wheelchair yourself in any way

Be aware that your wheelchair may interfere with some types of anti-theft systems, depending on the settings used. This may cause the shop's alarm to go off.

In case a serious incident has occurred involving your product, notify Vermeiren or your specialist dealer as well as the competent authority in your country.

2.3 Explanation of symbols

	Maximum weight of the user in kg
	Indoor/outdoor use
	Maximum safe slope in ° (degrees).
	Type designation

2.4 Storage

- i** Make sure that your wheelchair is stored in a dry environment to prevent mould from growing and the upholstery from being damaged, see also chapter 6.

3 Using your wheelchair

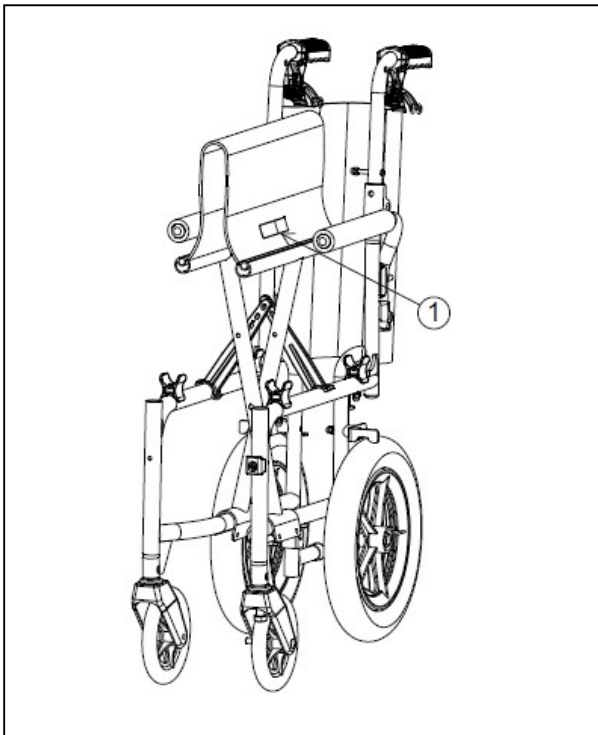


CAUTION

Risk of injuries and/or damage

- First read previous chapters and inform yourself about the intended use. Do NOT use your wheelchair unless you have read and fully understood all instructions.
- In case of doubts or questions, do not hesitate to contact your local specialist dealer, your care provider or technical adviser to help you with this.
- Make sure that your hands, clothes, belts, buckles or jewellery don't get caught by wheels or other moving parts, during use or adjustment.

3.1 Moving the wheelchair out of the way



Move the wheelchair by using its wheels and roll it to the destination.

If this is not possible and folding is not desired, firmly grasp the frame with both hands and lift it from the floor. Do not use foot or arm rests, or wheels to grasp the wheelchair.

You can also use the cushion handle ① to carry the manual wheelchair. First remove the footrest and fold the manual wheelchair. Thus, you can grab the handles on both sides of the wheelchair and carry the wheelchair to the desired place.

3.2 Transport



CAUTION

Risk of injuries

- Do NOT use your wheelchair as seat in a vehicle, see the following symbol.
- Never use the same safety belt for passenger and wheelchair.



1. As user, transfer to a seat of the car, see section 3.8.
2. Remove the footrests and other accessories.
3. Fold the wheelchair to its most compact size according to the instructions in section 3.3.
4. Store the wheelchair, footrests and accessories in the luggage compartment or behind the passenger seat. If luggage and passenger compartments are NOT separated or enclosed, fasten the wheelchair frame securely to the vehicle. You can use an available safety belt in the vehicle.

3.3 Unfolding/Folding the manual wheelchair



CAUTION

Risk of injuries

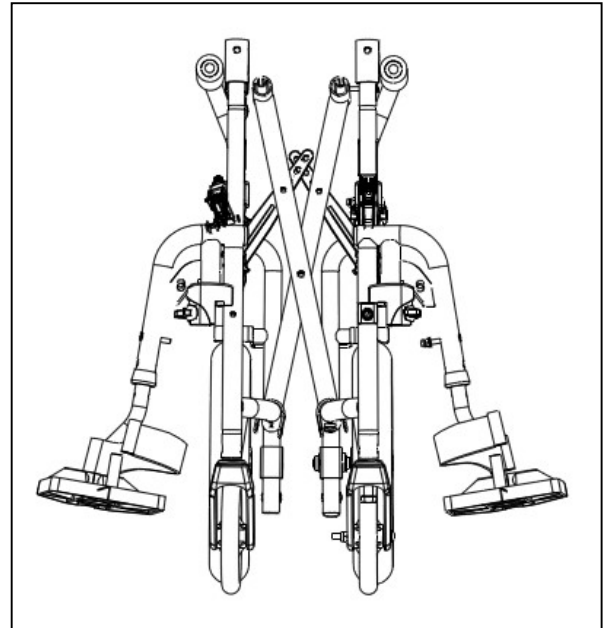
- Keep away from moving parts of the wheelchair to avoid getting your fingers trapped.

To unfold the wheelchair:

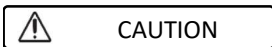
1. Stand behind the manual wheelchair.
2. Open the backrest (see section 3.5).
3. Use the push handles to open the manual wheelchair as far as possible to both sides.
4. Stand in front of the manual wheelchair.
5. Press down on the two seating tubes next to the seat until they are fixed in place.

To fold the wheelchair:

1. Fold the footplate or remove the footrest (see section 3.4);
2. Fold the backrest (see section 3.5);
3. Grab the front and back of the cushion in the middle, and lift it up.



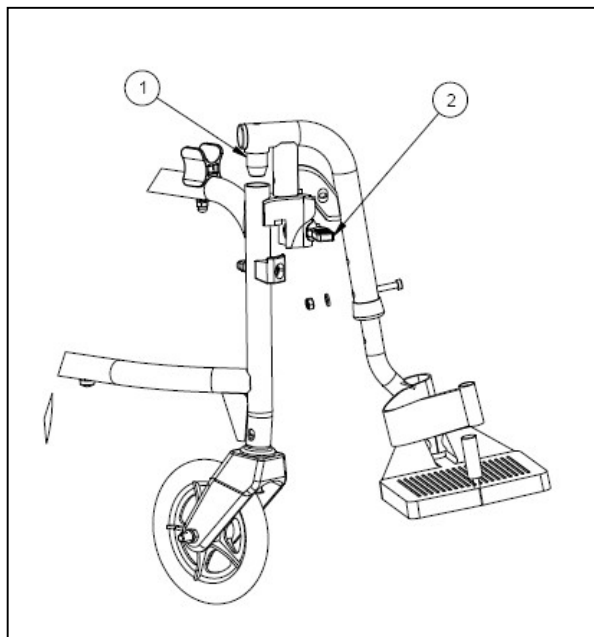
3.4 Mounting/Dismounting the footrests



CAUTION

Risk of injuries

- Make sure that the footrests are firmly secured before use.
- Be careful not to have objects or people in the swing range of the footrest.



To mount the footrests:

1. Hold the footrest sideways and place the tube plug ① into the wheelchair frame.
2. Swing the footrest inward until it clicks into place.
3. Lower the footplate.
4. Repeat for the second footrest.

To dismount the footrests:

1. Lift the handle ②.
2. Turn the footrest outward.
3. Remove the footrest.
4. Repeat for the second footrest.

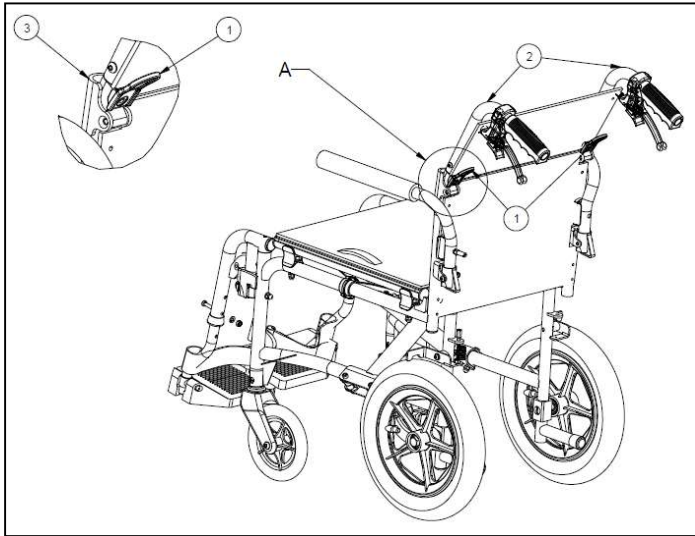
3.5 Unfolding/Folding the backrest



CAUTION

Risk of injuries

- Make sure that the backrest is securely locked before use.



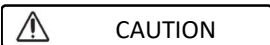
To unfold the backrest:

1. Lift the backrest tube (2) up until the backrest tube is locked;
2. Make sure that the backrest is securely locked into place.

To fold the backrest:

1. Hold the backrest tube and lift (1) the backrest tube until (3) it is sprung up from the backrest tube.
2. Lower the upper backrest tube (2) until it is fully folded.

3.6 Parking brakes



CAUTION

Risk of injuries

- Do not use the brakes to slow down the wheelchair while riding.
- Good operation depends on wear and dirt of the tires (water, oil, mud...). Check the tyre condition before use.
- The brakes are adjustable and will wear out over time. Check the brakes before use.
- Risk of unintended movement– make sure that the brakes are released when is the wheelchair is on flat ground.

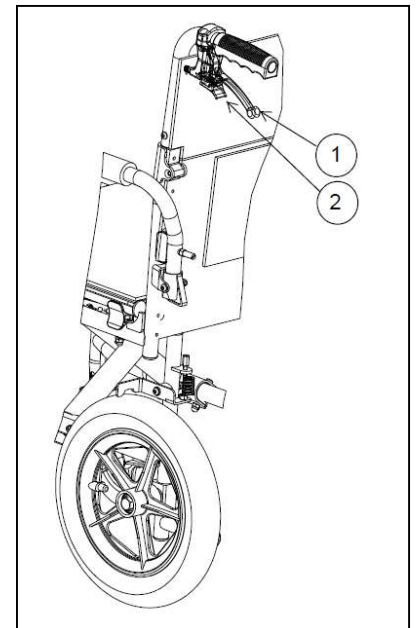
The parking brakes can only be operated by an attendant.

Applying brakes:

1. Pull the brake lever up (1).
2. Secure the brake lever (1) with the teeth on the plastic block (2).

releasing brakes:

1. Loosen the plastic block (2);
2. Release the brake lever (1).

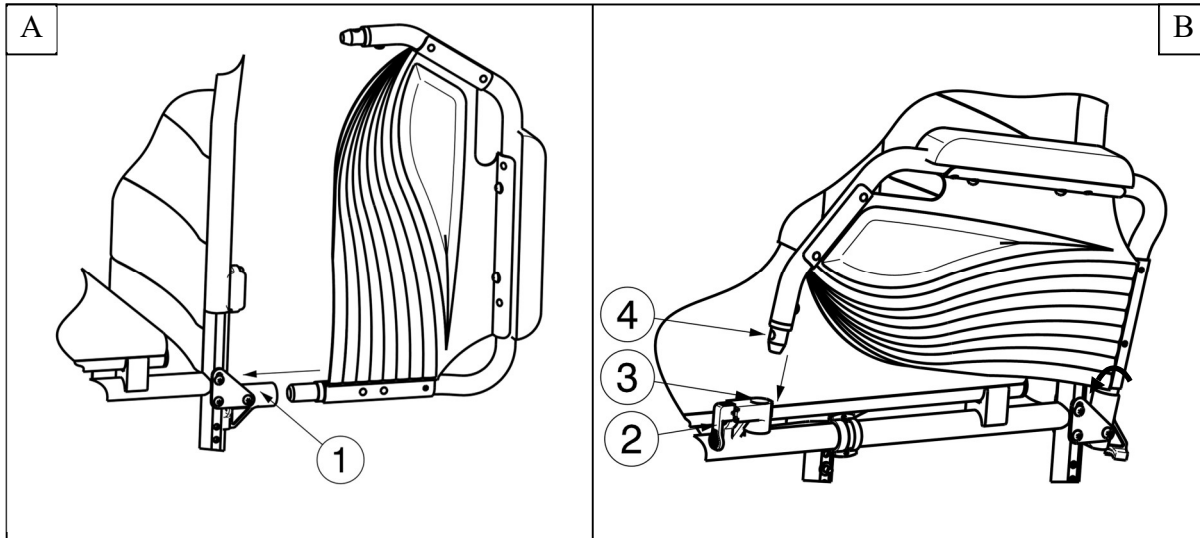


3.7 Mounting or removing of arm supports (optional)

⚠ CAUTION: Risk of clamping – Keep fingers, buckles and clothes away from the bottom side of the arm support.

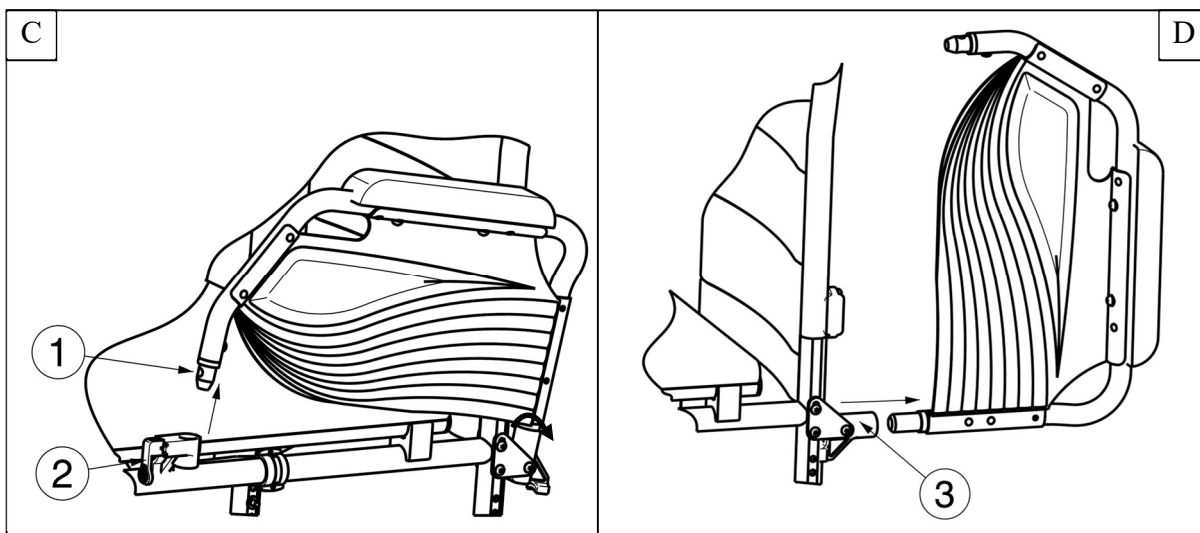
The arm supports of the wheelchair can be mounted by following instructions.

1. Mount the rear tube of the arm rest in tube hood ①. (Fig A)
2. Make sure the arm support is mounted very well.
3. Fold the arm support to the front.
4. Pull lever ② on tube hood ③ upwards. (Fig B)
5. Click the front tube of the arm support ④ in tube hood ③. (Fig B)

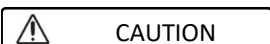


To open and remove the arm support:

1. Pull lever ② and pull the front of the arm support ① upwards. (Fig C)
2. Fold the arm support backwards.
3. To remove the arm support, pull the rear of the arm support from tube hood ③. (Fig D)



3.8 Moving to/from your wheelchair



Risk of injuries and/or damage

- In case you cannot perform the transfer in a safe manner, ask someone to assist you.
- Do not stand on the footplates during transfer into or out of the chair.

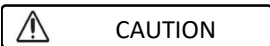
Transfer:

1. Place the manual wheelchair as close to you as possible when sitting in your chair, couch, seat or bed.
2. Apply both parking brakes to block the movement, see section 3.6.
3. Fold the footplates up to prevent standing on them, or turn the leg rests aside to free the passage for transfer.
4. If necessary, remove the footrest on one side (see section 3.4).
5. Transfer to/from the wheelchair using the strength of your arms, or with the help of an attendant or lifting equipment.

Sitting in the wheelchair:

1. Sit down on the seat with your lower back against the backrest.
2. Reinstall the footrest, if removed.
3. Turn the footrests back to the front or turn down the footplates, and put your feet on the footplates.

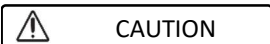
3.9 Riding



Risk of injuries and/or damage

- Prevent your hands on the hand rims from entrapment when riding through small passages.
 - Do not drive on slopes, obstacles, steps or kerbs larger than specified in section 6.
1. Release the parking brakes (see section 3.6).
 2. The attendant grasps the push handles.
 3. The attendant pushes the wheelchair to the desired place.

3.9.1 Riding on slopes, ramps

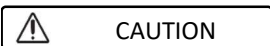


Risk of injuries

- Control your speed - slow down on the slope.
 - Consider the ability of your attendant - if your attendant cannot control the wheelchair, pull the brakes.
1. If available, wear your safety belt.
 2. The attendant pushes you up/down the slope.
 3. When going up the slope, lean forward to move your centre of gravity forward. When going down the slope, lean backwards.



3.9.2 Coping with obstacles



Risk of injuries and/or damage

- If necessary, remove the footrests to make sure they do not touch the ground due to the inclination of the wheelchair.
- Always take kerbs or obstacles with help of an attendant.

Going down kerbs forwards:

1. Tilt the wheelchair slightly backwards to move the centre of gravity to the rear wheels.
2. Push the rear wheel down the kerb.



Going down kerbs backwards:

1. Approach the kerb backwards.
2. Lean forward to move your centre of gravity.
3. Move and lift the rear wheel over the side of the kerb. Place the rear wheel on the ground.
4. Gently pull the front wheels down the kerb.

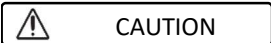


Going up steps or obstacles

1. Tilt the wheelchair backwards by pushing your foot down on the tip cap.
2. Move the front wheels up the kerb. Place the front wheels on the ground.
3. Push the rear wheels up the kerb.



3.9.3 Using stairs



CAUTION

Risk of injuries and/or damage

- The manual wheelchair cannot be used on escalators.
 - Stairs should always be negotiated with the help of (at least) two attendants.
1. Remove the footrests, see section 3.4.
 2. One attendant tips the wheelchair slightly backwards.
 3. The second attendant grabs the wheelchair at the front of the frame, on both sides of the wheelchair.
 4. Gently move the rear wheels from step to step. Avoid jerky movements.
 5. After using the stairs, mount the footrests back in place, see section 3.4.

4 Installation and adjustments

This chapter is primarily intended for dealers.

 CAUTION Only use parts and tools described in this manual.

4.1 Scope of delivery

Bobby Evo is supplied with:

1. Frame with armrests, front and rear wheels;
2. A pair of footrests;
3. Handgrips+ brake levers;
4. Seat cushion and backrest;
5. Tools: Allen key no° 1, 4, 5, and open end wrench;
6. Instructions;
7. Accessories (optional).

Before use, check if everything is included and that no products are damaged.

4.2 Tools

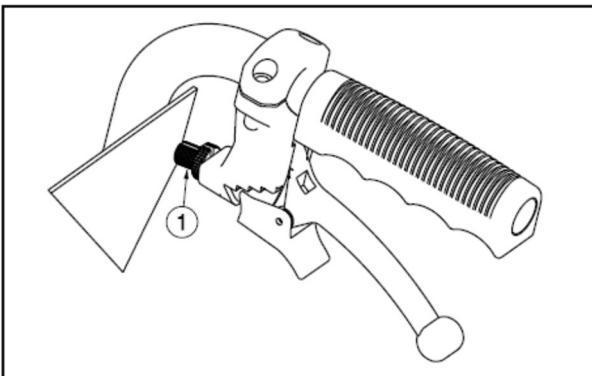
To adjust the wheelchair, the following tools are needed:

- no° 10 socket wrench
- no° 4 Allen key

4.3 Brake adjustment

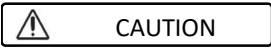
 CAUTION Risk of injuries and/or damage

- The brakes should only be adjusted by your specialist dealer.



1. Turn ① to adjust the tension of the brake wire.
2. Check the effect of the brakes.
3. If necessary, repeat step ① until the brakes are adjusted well.

4.4 Footrest length

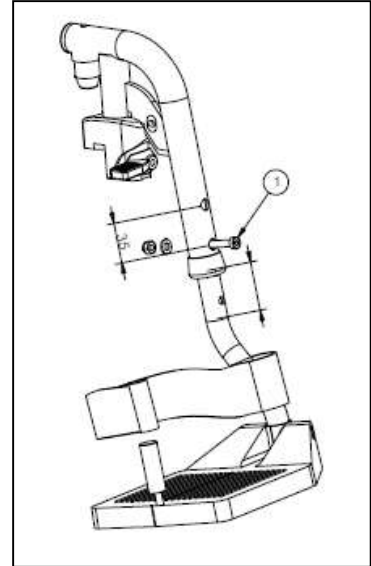


Risk of damage

- Avoid any contact between the footrest and the ground, and keep a minimum clearance of 6 cm from the ground.

Two length positions are possible (35mm interval):

1. Loosen the screw ① on the front of the footrest.
2. Adjust the footrest to a comfortable height.
3. Tighten the screw ①.



5 Maintenance

5.1 Points of maintenance

 CAUTION Risk of injuries and/or damage

- Repairs and replacements may only be undertaken by trained persons, and only genuine replacement parts of Vermeiren should be used.

Before each use

Inspect the following points:

- All parts: Present and undamaged or unworn.
- All parts: Clean, see section 5.2.2.
- Footrests: Well secured.
- Condition of wheels/tyres, see section 5.2.1;
- Condition of frame parts: No deformation, instability, weakness or loose connections
- Seat, backrest, arm pads: No excessive wear (like dented spots, damage or tears).
- Brakes: undamaged and fully operational

Contact your specialist dealer for possible repairs or part replacements.

Yearly or more often

Have your wheelchair inspected and serviced by your specialist dealer, at least once a year or more often. The minimum maintenance frequency depends on use and should therefore be commonly agreed on with your specialist dealer.

If stored

Make sure that your wheelchair is stored in a dry place to prevent mould from growing, or the upholstery from being damaged.

5.2 Instructions for maintenance

5.2.1 Wheels and tyres

Keep your wheels free of wires, hair, sand and fibres.

Check the profile of the tyres. If the tread depth is less than 1 mm, the tyres need to be replaced. Contact your specialist dealer for this matter.

Inflate each pneumatic tyre to the correct pressure (see pressure indication on the tyres).

5.2.2 Cleaning

 CAUTION Risk of damage

- Never use a hose or high-pressure cleaner to clean the wheelchair.

Wipe all rigid parts of the wheelchair with a damp cloth (not drenched). If necessary, use a mild soap, suitable for varnishes and synthetics.

The upholstery can be cleaned with lukewarm water and a mild soap. Do not use abrasive cleaning agents, or a sponge or hard brush to clean.

5.2.3 Disinfection

 CAUTION Risk of injuries and/or damage

- Disinfections may only be undertaken by trained persons. Consult your specialist dealer.



5.3 Troubleshooting

NEVER attempt to repair the wheelchair yourself. Even if you use your wheelchair properly, a technical problem may occur. The following symptoms may indicate a serious problem. Therefore always contact your specialist dealer if you spot any of the following deviations:

- Strange sound;
- Uneven tread wear on one of the tyres;
- Jerky movements;
- Wheelchair deflects to one side;
- Damaged or broken wheel assemblies;

5.4 Expected lifespan

The average lifespan of your wheelchair is 5 years. Depending on the frequency of use, driving circumstances and maintenance, the lifespan of your wheelchair will increase or decrease.

5.5 End of use

At end of life, you need to dispose your wheelchair according to the local environmental regulations. The best way to do so, is to disassemble the wheelchair to facilitate the transport of recyclable parts.

6 Technical specifications

The technical details below are only valid for this wheelchair, at standard settings and optimal ambient conditions. Take these details into account during use. The values are no longer applicable if your wheelchair has been modified, damaged or suffers from severe wear.

Table 1: Technical specifications

Brand	Vermeiren
Type	Manual wheelchair
Model	Bobby Evo

Description	Dimensions
Max. weight of user	115 kg
Effective seat width	42 cm - 48 cm
Total width (reference seat width)	49 cm - 55 cm
Full length (including footrest)	101 cm
Length after folding (including footrest)	86 cm
Length after folding (excluding footrest)	68 cm
Width after folding (without footrest)	26 cm
Height after folding	75 cm
Total height	90 cm
Total weight	9.6 kg - 10.0 kg
Total weight of heaviest part	8.0 kg - 8.6 kg
Heaviest removable part	Footrest: 1.6 kg
Static stability downhill	10°
Static stability uphill	10°
Static stability sideways	10°
Obstacle climbing	6 cm
Seat angle	5°
Effective seat depth	42 cm
Seat front height	49 cm
Backrest angle	5°
Backrest height	44 cm
Distance between footplate and seat	39 cm - 42 cm
Footrest and seat angle	114°
Distance from armrest to seat	20 cm
Armrest front end	30 cm
Wheel horizontal axis	2.1 cm
Minimum turning diameter	150 cm
Rear wheel diameter	12.5"
Front wheel diameter	15.5 cm
Storage and use temperature	+5 °C - + 41 °C
Storage and use humidity	30% - 70%

*We reserve the right to introduce technical changes.
Measurement tolerance ± 15 mm / 1,5 kg / 1,5°.*



Service registration form

This product (name):

was inspected (I), serviced (S), repaired (R) or disinfected (D):

By (stamp): Kind of work: I / S / R / D Date:	By (stamp): Kind of work: I / S / R / D Date:	By (stamp): Kind of work: I / S / R / D Date:
By (stamp): Kind of work: I / S / R / D Date:	By (stamp): Kind of work: I / S / R / D Date:	By (stamp): Kind of work: I / S / R / D Date:
By (stamp): Kind of work: I / S / R / D Date:	By (stamp): Kind of work: I / S / R / D Date:	By (stamp): Kind of work: I / S / R / D Date:
By (stamp): Kind of work: I / S / R / D Date:	By (stamp): Kind of work: I / S / R / D Date:	By (stamp): Kind of work: I / S / R / D Date:
By (stamp): Kind of work: I / S / R / D Date:	By (stamp): Kind of work: I / S / R / D Date:	By (stamp): Kind of work: I / S / R / D Date:



Vermeiren GROUP
Vermeirenplein 1 / 15
2920 Kalmthout
BE

website: www.vermeiren.com

Instructions for specialist dealer

This instruction manual is part and parcel of the product and must accompany every product sold.

Version: B, 2024-04

Basic UDI: 5415174122103BobbyEvo5V

All rights reserved, including translation.