

VERMEIREN

Trigo S
Trigo T



INSTALLATION MANUAL





Content

Preface	2
1 This product	3
2 Scope of delivery	4
3 Assembly and adjustments	5
3.1 Tools	5
3.2 Adjusting the wheelchair to the user	6
3.2.1 Seat height.....	6
3.2.2 Seat depth	7
3.2.3 Seat inclination	7
3.2.4 Backrest inclination.....	7
3.2.5 Removable side plate	8
3.2.6 Fixed side plate.....	8
3.2.7 Camber angle adjustment of the rear wheels	9
3.2.8 Footplate height	9
3.2.9 Footplate angle	10
3.2.10 Footplate depth (only for Trigo S, folding footplate)	10
3.2.11 Adjusting the parking brakes.....	11
3.3 Changing pneumatic tyres	11



Preface

To support you on the installation and repairs of this manual wheelchair, we provide you with this installation manual. Please read it carefully. If you still have questions after reading this manual, do not hesitate to contact Vermeiren.

The information in this manual applies to the following wheelchair(s):

- Trigo S with all its configurations
- Trigo T with all its configurations

Important note

Pictures of the product are used to clarify the instructions. Details of the shown product may deviate from your product.

Available information

On our website <http://www.vermeiren.com/> you will always find the most recent version of the following information. Please consult this website regularly for possible updates.

Visually impaired people can download the electronic version of this manual and have it read out by means of a text-to-speech software application.



User manual
For user and specialist dealer



Installation manual
For specialist dealer



Service manual for wheelchairs
For specialist dealer



Drawings of (spare) parts
For specialist dealer



EC declaration of conformity



1 This product

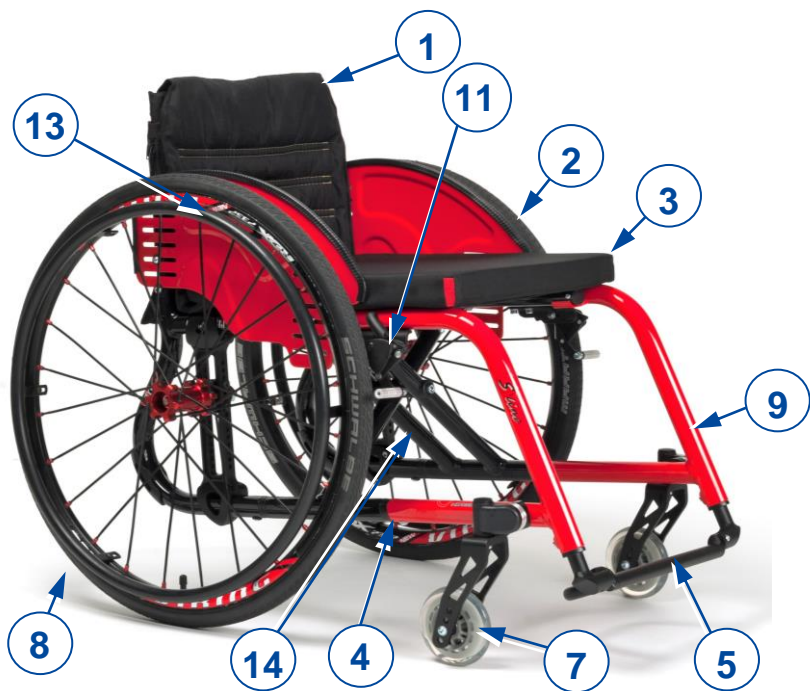


Figure 1 Trigo S

- 1. Backrest
- 2. Side plate (with optional armrest)
- 3. Seat
- 4. Frame
- 5. Fixed footplate 1x (Trigo S)
- 6. Removable footplate 2x (Trigo T)
- 7. Front wheel
- 8. Rear wheel
- 9. Fixed footrest (Trigo S)
- 10. Removable footrest (Trigo T)
- 11. Brake
- 12. Push handle (optional)
- 13. Hand rim
- 14. Identification plate



Figure 2 Trigo T



2 Scope of delivery

The following items are part of the delivery:

- Framework
- Sideplates
- Rear and front wheels
- Seat and back cushion
- Footrests (*)
- Tools
- User manual of wheelchair
- Accessories (if applicable)

Before use, check if everything is included and that no products are damaged.

Please note that the basic configuration may differ in different European countries. Contact your specialist dealer.

(*) Fixed for Trigo S, removable for Trigo T.



3 Assembly and adjustments



CAUTION

Risk of injuries or damage

- The wheelchair needs to be (dis)assembled and adjusted by a specialist dealer according to the instructions in this chapter.
- Only use parts and tools described in this manual.
- Prevent bystanders from accessing the (dis)assembling area.
- Keep the (dis)assembling area clean and tidy, to prevent falling.
- Collect all small parts in a box or bag.
- While (dis)assembling and operating the wheelchair, make sure no objects or body parts get caught between moving parts.
- Make sure all screws are firmly secured before driving.



Important remarks

- The Trigo wheelchair has multiple configuration options and optional parts.
- Read the user manual of this wheelchair.
- Be aware of the technical details and limits of intended use; see the user manual.
- For more information, contact your nearest Vermeiren facility.

3.1 Tools

To (dis)assemble and adjust the wheelchair, the following tools are needed:

- Wrench set no. 8
- Allen keyset n° 2.5, 3, 4 and 5



3.2 Adjusting the wheelchair to the user

CAUTION Risk of injuries

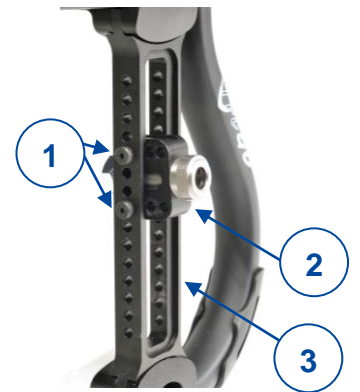
- Take the possible rear wheel-front wheel configurations into account regarding seat height, as mentioned in Table 1.
- Make sure that both front wheels and both rear wheels are mounted in the same position.

3.2.1 Seat height

The seat can be raised or lowered by changing the wheel position, diameter of the front wheels, and diameter of the rear wheels.

To adjust the height of the rear wheel:

1. Remove the rear wheel, using the quick release system.
2. Remove both bolt-nut connections (1) from the rear wheel attachment cube (2).
3. Slide the attachment cube (2) up/down in the rear wheel support (3) until the desired height.
4. Fasten the attachment cube (2) by firmly tightening both bolt-nut (1) connections.
5. Remount the rear wheel.
6. Repeat for the other wheel.



To adjust the height of the front wheel:

1. Remove the M6 screws (4) on both sides of the wheel.
2. Move the wheel up/down in the front fork (5) until the desired position.
3. Reattach the wheel to the front fork (5) by firmly tightening both screws (4) in the according hole.
4. Repeat for the other wheel. Make sure that both rear wheels and both front wheels are adjusted to the same height.



To adjust the angle of the front wheels:

1. Remove the cover (6) of the front wheel attachment.
2. Loosen the M8 screw.
3. Adjust the angle of the front wheel using the toothed clamp (7). The fork attachment (8) should be perpendicular to the ground.
4. Firmly retighten the M8 screw and place back the cover (6).
5. Repeat for the other wheel. Make sure that both wheels are adjusted to the same angle.

Table 1: Wheel configurations regarding seat height

SEAT HEIGHT FRONT (in mm)														
	380	390	400	410	420	430	440	450	460	470	480	490	500	510
3"	i	i	i	i	i	i		i	i	i				
4"		i	i	i	i	i	i	i	i	i	i	i		
5"				i	i	i	i	i	i	i	i	i	i	
6"						i	i	i	i	i	i	i	i	i



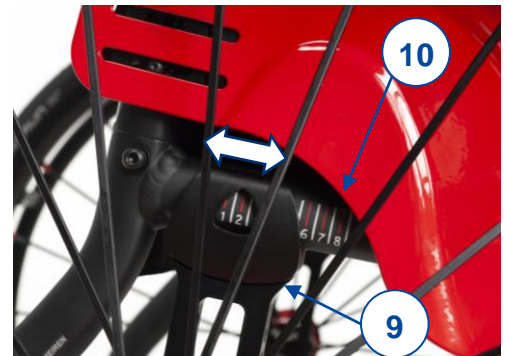
SEAT HEIGHT REAR (in mm)

	315	325	335	345	355	365	375	385	395	405	415	425	435	445	455	465	475	485	495	505	515	
18"	i	i	i	i	i	i	i	i	i	i	i											
20"			i	i	i	i	i	i	i	i	i	i	i									
22"					i	i	i	i	i	i	i	i	i	i	i							
24"									i	i	i	i	i	i	i	i	i	i	i			
26"										i	i	i	i	i	i	i	i	i	i	i	i	i

3.2.2 Seat depth

The seat depth can be steplessly adjusted:

1. Remove the rear wheel, using the quick release system.
2. On the inside of the rear wheel support (9), loosen the two M6 screws at the top, and the three M6 screws on the bottom a few turns until the support can be moved..
3. Using the measurements (10) on the outside of the seat frame, slide the rear wheel support (9) evenly to the back/front of the frame until the desired depth is reached.
4. Firmly tighten the five M6 screws.
5. Repeat on the other side, using the measurements (10) on the frame to make sure both rear wheel supports are adjusted to the same depth.



3.2.3 Seat inclination

The seat inclination can be adjusted by altering the configuration of the front and rear wheels. See 3.2.1 for the instructions on how to change the position of the wheels.

3.2.4 Backrest inclination

The backrest can be adjusted into 5 angle positions:

1. Gently pull the back strap (11) until the backrest is unlocked.
2. Remove the outer screw (12) of the hinging point (13).
3. Move the inner sleeve with second screw to another hole, according to the desired angle. Lock the position by retightening the screw (12).
4. Repeat for the second backrest connection.
5. Check the position by moving the backrest until it is locked into place by the locking pins. Make sure that both locking pins are secured in the same position.



3.2.5 Removable side plate

Depth of panel (16)

1. Loosen socket screw (14) and remove socket screw (15).
2. Slide side panel (16) forward/backward and retighten with socket screw (15) in one of the openings of the support. Tighten socket screw (14) again.
3. Repeat for the other side panel.

Height of panel (16)

1. Loosen socket screw (15), remove socket screw (14).
2. Slide side panel (16) up/down and retighten with socket screw (14) in one of the openings of the support. Tighten socket screw (15) again.
3. Repeat for the other side panel.

Height of complete side plate (18)

1. Remove the side plate from the wheelchair.
2. Remove the socket screw (17).
3. Place the socket screw in another hole according to the desired height (5 positions available).
4. Firmly tighten the socket screw.
5. Repeat the adjustments above for the second side plate.

Make sure that both side plates and panels are set to the same height and depth, and that they are firmly secured.



3.2.6 Fixed side plate

Depth of side plate (22)

1. Loosen socket screws (19+20+21).
2. Slide side plate forward/backward and retighten the socket screws.

Height of side plate (22)

1. Remove socket screws (19+20+21).
2. Move the side plate up/down to the desired height and retighten it with socket screws (19+20) in one of its openings. Replace socket screw 21 accordingly.



Repeat the adjustments above for the second side plate. Make sure that both side plates are set to the same height and depth, and that they are firmly secured.



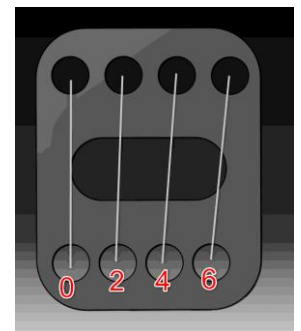
3.2.7 Camber angle adjustment of the rear wheels

The camber angle of the rear wheels is adjustable in 4 positions (0°, 2°, 4°, 6°) by adjusting the angle of the rear wheel attachment cube in the rear wheel support:

1. Remove the rear wheel, using the quick release system.
2. Remove both bolt-nut connections (23) from the rear wheel attachment cube (24).
3. Adjust the angle of the attachment cube (24) relative to the rear wheel support (25). *
4. Fasten the attachment cube (24) in the correct angle by firmly tightening the bolt-nut (23) connections in the corresponding holes.
5. Remount the rear wheel.
6. Repeat for the other wheel. Make sure that both rear wheels are adjusted to the same camber angle.



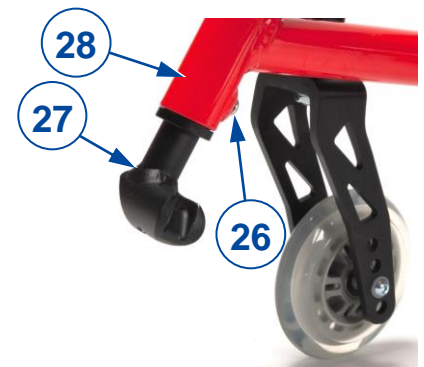
* The attachment cube has been fitted with four sets of two matching holes. Choose the set that corresponds to the required camber angle as shown in the picture.



3.2.8 Footplate height

Trigo S (steps of 10 mm)

1. Remove the M6 screw from the back of the footrest (26).
2. Slide the footplate (27) up/down in the front-frame tube (28) until the desired height. Make sure the holes of the inner and outer tube align.
3. Replace the M6 screw (26).
4. Repeat for the second footrest. Make sure that both footrests are set to the same height, and that they are firmly secured.



Trigo T (stepless)

1. Remove the M6 screw from the back of the footrest (26).
2. Slide the footplate (27) up/down in the front-frame tube (28) until the desired height.
3. Replace the M6 screw (26).
4. Repeat for the second footrest. Make sure that both footrests are set to the same height, and that they are firmly secured.

3.2.9 Footplate angle

Trigo T (20° in steps of 5°)

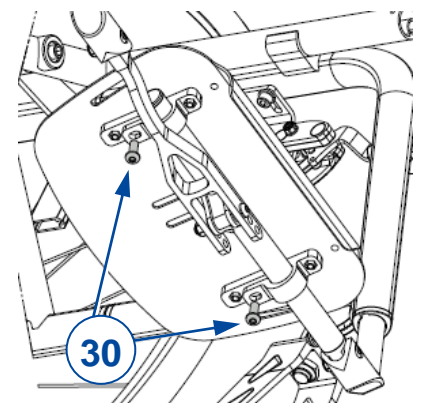
1. Loosen the M6 screw (29) on the outside of the footplate.
2. Turn the footplate to the desired angle. The angle indication is given according to dashes on the outside of the toothed clamp.
3. Retighten the M6 screw (29) firmly.
4. Repeat for the second footplate. Make sure that both footplates are firmly secured.



Trigo S (stepless)

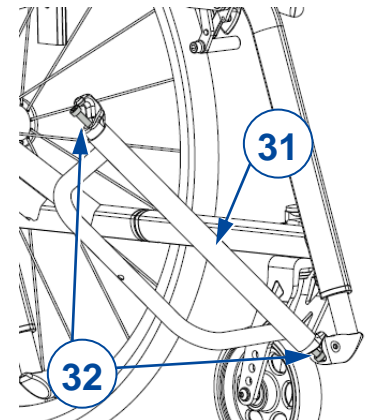
For the foldable footplate:

1. On the bottom of the footplate, loosen both M6 screws (30).
2. Turn the footplate until the desired angle is reached.
3. Firmly tighten both screws (30).



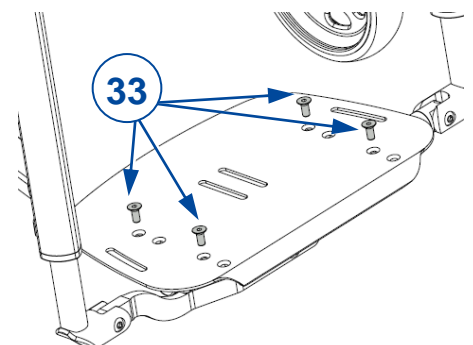
For the opening footplate:

1. On the main tube (31), loosen the M6 screws (32) on both sides of the footplate.
2. Turn the footplate until the desired angle is reached.
3. Firmly retighten both screws (32).



3.2.10 Footplate depth (only for Trigo S, folding footplate)

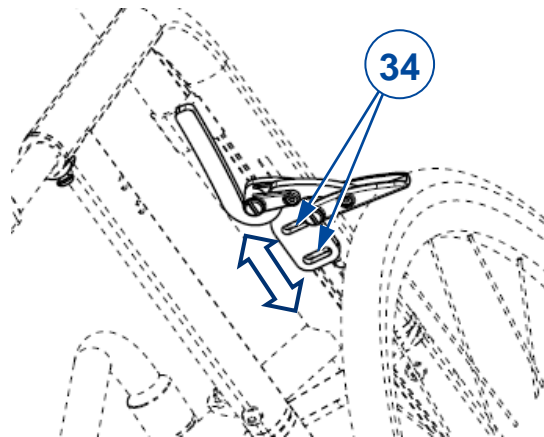
1. Remove the four M5 screws (33) from the footplate.
2. Place the footplate forwards/backwards to the desired depth (2 positions available).
3. Firmly retighten the M5 screws (33). Make sure that the footplate is firmly secured.



3.2.11 Adjusting the parking brakes

Depending on the diameter of the rear wheels and their position, the brakes can be adjusted accordingly. The following instructions apply to both the push-pull brakes and the sports brakes.

1. Release the brake, see user manual.
2. Loosen the two screws (34) connecting the brake to the frame.
3. Slide the brake forwards/backwards in the slot until the desired position.
4. Firmly retighten both screws.
5. Verify if the brake is working properly; the wheel is blocked, but the brake can still be operated easily. If this is not the case, repeat the steps above until the brake is adjusted well.
6. Repeat for the second parking brake. Make sure that both brakes are adjusted identically.



3.3 Changing pneumatic tyres



CAUTION

Risk of injuries and damage

- Make sure all air is released from the tyre, before removing it.
- Make sure that no body parts, the inner tube nor any other objects are pinched between tyre and rim.
- Make sure all screws are firmly secured by hand before driving with the wheelchair.
- Make sure that the pressure is correct, see the pressure indication on the tyres.
- Inflate the tyre using inflating equipment which complies to regulations and with a pressure indication in "bar".
- Only use replacement parts approved by Vermeiren.

To change the tyre or inner tube, proceed as follows:

1. Let all the air out of the inner tube.
2. Insert a tyre lever between the tyre and the rim.
3. Gently push the tyre lever downwards. This will pull the tyre over the edge of the rim.
4. Move the lever along the rim so the tyre pops out.
5. Carefully remove the tyre from the rim and remove the tube.



Place the rim belt in position over the air valve before inserting it into the rim. The rim belt can now be pulled over easily. Check that all spoke heads are covered (a rim belt is not required in the case of a plastic rim).



Push the tyre over the edge of the rim, starting behind the air valve. Inflate the tube slightly until it is round, and place it inside the tyre.



If the tube fits inside the tyre without any folds (in case of folds: let out some air), then the upper side of the tyre can be pressed lightly onto the rim with both hands, starting at the air valve. Lightly push the air valve inwards and pull it out again to make sure that the tyre is positioned properly in the region of the air valve.



Vermeiren GROUP NV
Vermeirenplein 1 / 15
2920 Kalmthout
BE

website: www.vermeiren.com

Instructions for specialist dealer

This instruction manual is part and parcel of the product and must accompany every product sold.

Version C, 2019-11

All rights reserved, including translation.

No part of this manual may be reproduced in any form what so ever (print, photocopy, microfilm or any other process) without written permission of the publisher, or processed, duplicated or distributed by using electronic systems.