

# VERMEIREN

28

INSTRUCTION MANUAL  
MODE D'EMPLOI  
GEBRUIKSAANWIJZING  
GEBRAUCHSANWEISUNG  
INSTRUKCJA OBSŁUGI



EN

### **Instructions for specialist dealer**

This instruction manual is part and parcel of the product and must accompany every product sold.

Version: B, 2014-05

FR

### **Instructions pour les distributeurs**

Ce manuel d'instructions fait partie du produit et doit accompagner chaque produit vendu.

Version : B, 2014-05

NL

### **Instructies voor de vakhandelaar**

Deze handleiding is deel van het product en dient bij iedere product te worden geleverd.

Versie: B, 2014-05

DE

### **Hinweise für den Fachhändler**

Diese Gebrauchsanweisung ist Bestand-teil des Produkts und ist bei jeder Produkts auszuhändigen.

Version: B, 2014-05

PL

### **Instrukcje dla wyspecjalizowanego sprzedawcy**

Niniejsza instrukcja obsługi jest nieodłączną częścią produktu i musi być dołączona do każdego sprzedawanego produktu.

Wersja: B, 2014-05

### **All rights reserved, including translation.**

No part of this manual may be reproduced in any form what so ever (print, photocopy, microfilm or any other process) without written permission of the publisher, or processed, duplicated or distributed by using electronic systems.

### **Tous droits réservés, y compris la traduction.**

Aucune partie de ce manuel ne peut être reproduite, sous quelque forme que ce soit (imprimée, photocopie, microfilm ou tout autre procédé) sans l'autorisation écrite du publicateur, ni traitée, dupliquée ou distribuée à l'aide de systèmes électroniques.

### **Alle rechten, inclusief vertaling, voorbehouden.**

Niets uit deze handleiding mag geheel of gedeeltelijk in enige vorm (druk, fotokopie, microfilm of ieder ander procedé) zonder de schriftelijke toelating van de uitgever worden gereproduceerd of met behulp van elektronische systemen worden verwerkt, gekopieerd of verspreid.

### **Alle Rechte, auch an der Übersetzung, vorbehalten.**

Kein Teil der Gebrauchsanweisung darf in irgendeiner Form (Druck, Fotokopie, Mikrofilm oder einem anderen Verfahren) ohne schriftliche Genehmigung des Herausgebers reproduziert oder unter Verwendung elektronischer Systeme verarbeitet, vervielfältigt oder verbreitet werden.

### **Wszelkie prawa zastrzeżone, łącznie z tłumaczeniem.**

Żadna część niniejszej instrukcji nie może być powielana w jakiegokolwiek formie (drukowanej, fotokopii, mikrofilmu ani innej) bez pisemnej zgody wydawcy, nie może być również przetwarzana, kopiowana ani rozprowadzana za pomocą systemów elektronicznych.

## Contents

<b>Preface</b> .....	<b>2</b>
<b>1 Product description</b> .....	<b>3</b>
1.1 Intended Use.....	3
1.2 Technical specifications .....	4
1.3 Components.....	5
1.4 Accessories.....	5
1.5 Explanation of symbols .....	6
1.6 Safety rules .....	6
<b>2 Use</b> .....	<b>7</b>
2.1 Carrying the wheelchair .....	7
2.2 Mounting the rear wheels (if quick release axle is available) .....	7
2.3 Unfolding the wheelchair .....	7
2.4 Mounting or removing of the footrests .....	7
2.5 Operating the brakes.....	8
2.6 Mounting or removing of armrests.....	9
2.7 Transfer in and out the wheelchair .....	9
2.8 Correct position in the wheelchair .....	9
2.9 Riding the wheelchair.....	9
2.10 Moving on slopes .....	10
2.11 Negotiating steps or curbs .....	10
2.12 Fold up the wheelchair .....	11
2.13 Taking off the wheels (if quick release axle is available) .....	12
2.14 Transport in the car.....	12
<b>3 Installation and adjustment</b> .....	<b>12</b>
3.1 Tools .....	12
3.2 Manner of delivery .....	13
3.3 Anatomical seat (OPTIONAL) .....	13
3.4 Anatomical backrest (OPTIONAL) .....	13
3.5 Adjust the brakes.....	14
3.6 Adjusting of the footrests .....	14
<b>4 Maintenance</b> .....	<b>14</b>



## Preface

First of all we want to thank you for putting your trust in us by selecting one of our wheelchairs.

The Vermeiren wheelchairs are the result of many years of research and experience. During the development, special attention was given to the ease of use and the serviceability of the wheelchair.

The expected lifetime of your wheelchair is strongly influenced by the care and maintenance of the wheelchair.

This manual will help you get acquainted with the operation of your wheelchair.

Following the user instructions and the maintenance instructions are an essential part of the warranty.

This manual reflects the latest product developments. Vermeiren has the right to introduce changes without the obligation to adapt or replace previously delivered models.

For any further questions, please consult your specialist dealer.

# 1 Product description

## 1.1 *Intended Use*

The wheelchair is intended for people with walking difficulties or no walking abilities.

The wheelchair is designed to transport 1 person.

The wheelchair is suited for indoor and outdoor use.

The user can propel the wheelchair by himself or have the wheelchair pushed by an attendant.

The different types of fittings and accessories, and the modular construction allow full use by persons disabled by:

- paralysis
- loss of limbs (leg amputation)
- limb defects or deformations
- stiff or damaged joints
- heart insufficiencies and poor blood circulation
- balance disturbances
- cachexia (decrease in muscle)
- and also for aged persons.

When providing for individual requirements:

- body size and weight (max. 110 kg or 150 kg wheelchair with anatomic cushions)
- physical and psychological condition
- residential circumstances
- environment

should be taken into consideration.

Your wheelchair should only be used on surfaces where all four wheels are touching the ground and where there is sufficient contact to propel the wheels equally.

You should practice for use on uneven surfaces (cobblestones, etc.), slopes, curves and to get past obstacles (curbs, etc.).

The wheelchair should not be used as a ladder, nor is it a transport for heavy or hot objects.

When used on mats, carpeted floors or loose floor coverings, the floor covering can get damaged.

Use only Vermeiren approved accessories.

The manufacturer is not liable for damage caused by the lack of or improper service or as a result of not following instructions from this manual.

Compliance with the user and maintenance instructions are an essential part of the guarantee conditions.



## 1.2 Technical specifications

Technical terms below are valid for the wheelchair in standard settings.

If other footrests / armrests or other accessories are used, the tabulated values will change.

<b>Make</b>	Vermeiren			
<b>Address</b>	Vermeirenplein 1/15, B-2920 Kalmthout			
<b>Type</b>	Manual wheelchair			
<b>Model</b>	28			
<b>Maximum occupant mass</b>	110 kg 150 kg wheelchairs with anatomic cushions			
<b>Description</b>	<b>Dimensions</b>			
Effective seat width	390 mm	440 mm	500 mm	550 mm
Overall width (depends on the seat width)	560 mm	610 mm	670 mm	750 mm
Folded width	290 mm	290 mm	310 mm	350 mm
<b>Description</b>	<b>Dimensions Min.</b>		<b>Dimensions Max.</b>	
Overall length with footrest	1110 mm			
Folded length without footrest	860 mm			
Folded height	920 mm			
Total mass	± 20 kg			
Mass of heaviest part	12 kg			
Masses of parts that can be dismantled or removed	<b>Footrests:</b> 1,90 kg; <b>Armrests:</b> 1,85 kg; <b>Rear wheels:</b> 4,15 kg			
Static stability downhill	15°			
Static stability uphill	15°			
Static stability sideways	15°			
Obstacle climbing	60 mm			
Seat plane angle	5°			
Effective seat depth	430 mm			
Seat surface height at front edge	500 mm			
Backrest angle	5°			
Backrest height	420 mm			
Distance between footplate and seat	420 mm		520 mm	
Angle between seat and footplate	9°			
Angle between seat and leg of footrest	115°			
Distance between armpad and seat	230 mm			
Front location of armrest structure	220 mm			
Handrim diameter	535 mm			
Horizontal location of axle (deflection)	-3 mm			
Minimum turning radius	1680 mm			
Diameter PU Rear wheels	24"			
Tyre pressure, rear (driving) wheels (for air tyres)	Max. 3.5 bar			
Diameter PU steering wheels	200 mm			
Tyre pressure, steering wheels (for air tyres)	Max. 2.5 bar			
Storage and use temperature	+ 5 °C		+ 41 °C	
Storage and use humidity	30%		70%	
<b>We reserve the right to introduce technical changes. Measurement tolerance ± 15 mm / 1,5 kg / °</b>				

Table 1: Technical specifications 28

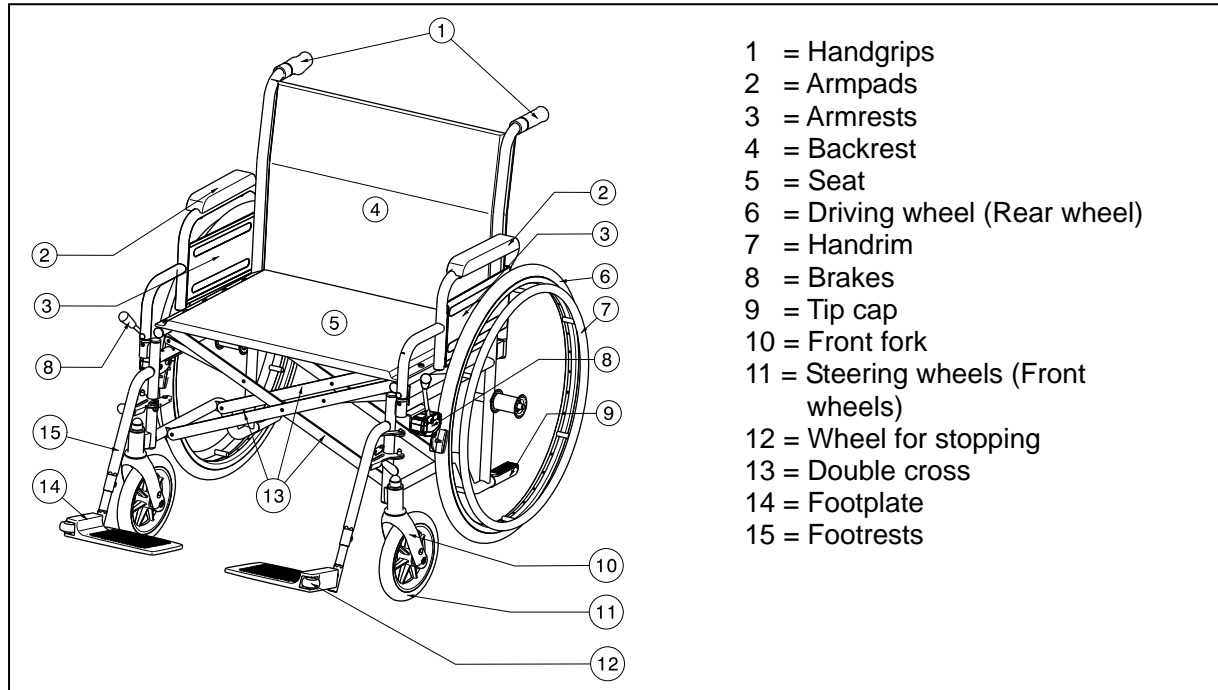
The wheelchair complies to the requirements set up in:

ISO 7176-8: Requirements and test methods for static, impact and fatigue strengths.

EN 1021-1: Assessment of the ignitability of upholstered furniture - Ignition source smouldering cigarette

EN 1021-2: Assessment of the ignitability of upholstered furniture - Ignition source match flame equivalent

### 1.3 Components



### 1.4 Accessories

The following accessories are available for the 28:

- Armrests (B02, B05, B66, B66O)
- Footrests, Leg rests (B07, B08, B09, B10, BZ7, BZ8, BZ9, BZ10, BK7, BL6, BL7, BA6, BK6)
- Table (B12)
- Crutch holder (B31)
- Serum holder (B52)
- Backrest (L14, L24)
- Anterior pelvic belt (B20, B58) for mounting over the backrest tube
- Anti-tipping device (B78) for mounting on the bottom back frame
- Drum brakes for the attendant (B74) for mounting on the push handles
- Transit wheelchair (T30)
- Moving the axle back (AMP)
- Quick release (B80)
- Travelling wheels (B86)
- Head rest (B47, L55, L58)
- Push bar (B90)
- Side supports/pellots (L04)

## 1.5 Explanation of symbols



Maximum mass



Indoor and outdoor use



Maximum Safe Slope



CE conformity



Type designation



Not intended to be used as a seat in a Motor vehicle

## 1.6 Safety rules

- ⚠ To prevent injury and/or damage to your wheelchair, make sure that no objects and/or body parts are caught in the spokes of the driving wheels.
- ⚠ The parking brakes should be applied before getting into and out of the wheelchair.
- ⚠ When getting into and out of the wheelchair, do not stand on the footplates. These should be folded up beforehand, or the footrests should be swung completely outwards out of the way.
- ⚠ Investigate the effects of shifting the centre of gravity on the behavior of the wheelchair, for example on up or down gradients, on laterally sloping ground, or when overcoming obstacles. Obtain support from an attendant.
- ⚠ If you want to pick up something (lying in front of, on the side, or to the rear of the wheelchair), you should not lean too far out to avoid tipping over.
- ⚠ When moving through doors, arches, etc. ensure that there is enough room at the sides so that you do not get your hands or arms caught or crushed and that there is no damage to the wheelchair.
- ⚠ Only use your wheelchair according to regulations. For example, avoid uncontrolled rolling against obstacles (steps, curbs, doorframes, etc) or dropping down from ledges. The manufacturer cannot assume liability for damage caused by overloading, collision or other improper use.
- ⚠ Stairs may only be negotiated when aided by another person. If furnishings like drive-on, ramps or lifts are available, use them.
- ⚠ When moving on the public highway, you are subject to the rules of the road.
- ⚠ When driving your wheelchair, you should not be under the influence of alcohol or medicine as in the case of driving other vehicles. This also applies to indoor driving.
- ⚠ When travelling outdoors, adapt your driving to weather and traffic conditions.
- ⚠ When transporting the wheelchair, never pick it up by grasping movable parts (armrests, footrests, etc.)
- ⚠ To be better visible when driving in the dark, wear the brightest possible clothing or clothes with reflectors, and check that the reflectors mounted on the sides and rear of the wheelchair are clearly visible.
- ⚠ Never exceed the maximum load (see table 1: Maximum occupant mass).



## 2 Use

This chapter describes the everyday use. **These instructions are for the user and the specialist dealer.**

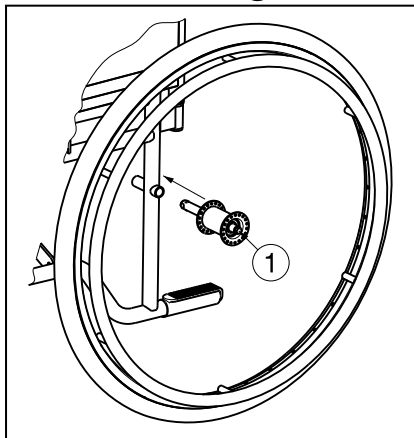
The wheelchair is delivered fully assembled by your specialist dealer. The instructions intended for the specialist dealer on how to set up the wheelchair are given in § 3.

### 2.1 Carrying the wheelchair

The best way to carry the wheelchair is to make use of the wheels and roll the wheelchair.

If this is not possible (e.g. when the rear wheels are taken off for transportation in a car), firmly grasp the frame on the front and the grips. Do not use the foot- or armrests or the wheels to grasp the wheelchair.

### 2.2 Mounting the rear wheels (if quick release axle is available)



1. Take the rear wheel and push on button ①.
2. Keep the button pushed in and mount the rear wheels axle till it stops.
3. Release the button ①.
4. Check that the wheel is secured.

### 2.3 Unfolding the wheelchair

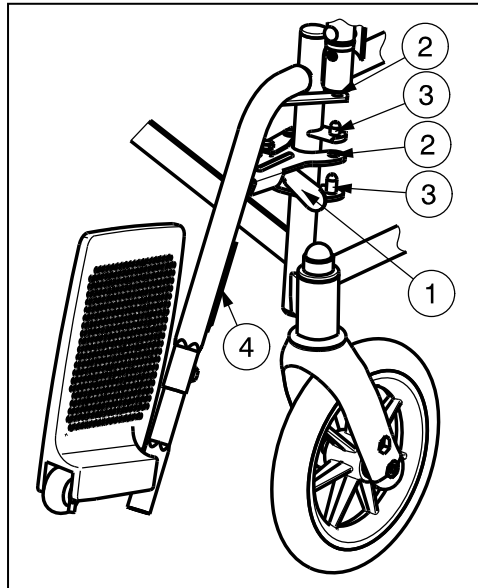
**⚠ CAUTION: Risk of clamping – Keep fingers away from moving parts of the wheelchair.**

1. Position yourself behind the wheelchair.
2. Use the hand-grips to open the wheelchair as much as possible.
3. Position yourself at the front of the wheelchair.
4. Push both seating tubes down till they are fixed in their position.

### 2.4 Mounting or removing of the footrests

**⚠ WARNING: Risk of injury – Check that the footrests are securely locked in place before use.**

**⚠ CAUTION: Risk of clamping – Keep objects and people away from the footrests swing range.**



The mounting of the footrests is done as follows:

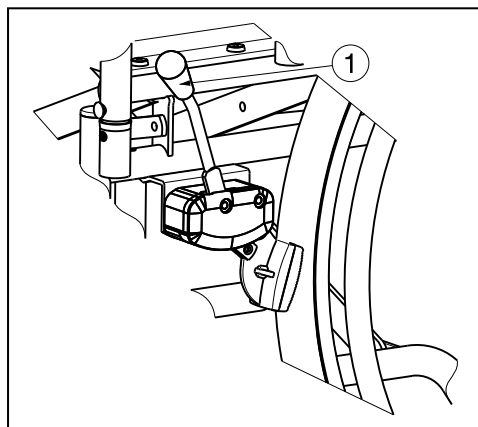
1. Hold the footrest sideways at the outside of the wheelchair frame.
2. Mount the holes ② of the footrest on the pins ③ located on the frame.
3. Turn the footrest inwards till it clicks in position. If this lock is a little stiff, press the handle gently back.
4. Turn the footplate downwards.
5. Replace the calf strap in the hooks ④.

To take off the footrests:

1. Remove the calf strap by unhooking it on both sides.
2. Pull back the lever ① near the footrest attachment.
3. Turn the footrest to the outside of the wheelchair.
4. Lift the holes ② of the footrest out of the pins located on the frame ③.

## 2.5 Operating the brakes

- ⚠ **WARNING:** The brakes are not used to slow down the wheelchair during movements – Use the brake only to prevent the wheelchair from unintended movements.
- ⚠ **WARNING:** Good operation of the brakes is influenced by wear and contamination of the tires (water, oil, mud, ...) – Check the condition of the tires before each use.
- ⚠ **WARNING:** The brakes are adjustable and can wear – Check the operation of the brakes before each use.



To apply the brakes:

1. Push the brake handles ① forward till you feel a distinctive click.

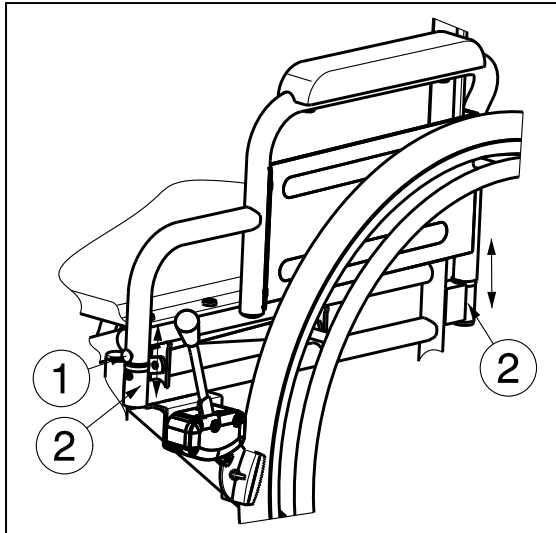
- ⚠ **CAUTION:** Risk of unintended movement – Make sure the wheelchair is on a flat horizontal surface before releasing the brakes. Never release both brakes simultaneously.

To release the brakes:

1. Release one brake by pulling the lever ① backwards.
2. Hold the hand-rim of the released wheel with your hand.
3. Release the second brake by pulling the lever ① backwards.

## 2.6 Mounting or removing of armrests

- ⚠ **CAUTION:** Risk of clamping – Keep fingers, buckles and clothes away from the bottom side of the armrest.
- ⚠ **CAUTION:** Risk of clamping – Check the armrests are securely fixated before using the wheelchair.



The armrests of the wheelchair can be removed by following instructions.

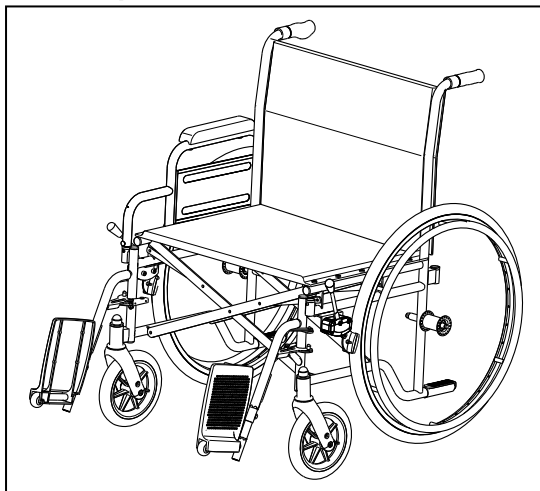
1. Press on the button ① located on the front of the armrest.
2. Lift the armrest out the tubes ② mounted on the seat frame.

The armrests of the wheelchair can be mounted by following instructions.

1. Mount the armrest in the tubes of the seat frame ②.
2. Press on the armrest until the armrest button ① clicks in the hole.
3. Check that the armrest is firmly fixated.

## 2.7 Transfer in and out the wheelchair

- ⚠ **CAUTION:** In case you cannot perform the transfer in a safe manner, ask someone to assist you.
- ⚠ **CAUTION:** Risk of tipping over of the wheelchair – Do not stand on the footplates.



1. Position the wheelchair as close as possible to the chair, couch or bed to/from you wish to transfer.
2. Check both brakes from the wheelchair are in the on position.
3. Fold the footplates upwards to prevent standing on them.
4. If the transfer is on the side of the wheelchair, remove the armrest on that side (see § 2.6).
5. Transfer to/from the wheelchair.

## 2.8 Correct position in the wheelchair

Some recommendations for a comfortable use of the wheelchair:

- Position your backside as close as possible to the backrest.
- Make sure your upper legs are horizontal – If needed adjust the length of the footplates. (see § 3.6.1)

## 2.9 Riding the wheelchair

- ⚠ **WARNING:** Risk of clamping – Prevent your fingers from being caught by the wheels spokes.

- ⚠ **WARNING: Risk of clamping – Be careful passing through restricted passages (e.g. doors).**
  - ⚠ **WARNING: Risk of burns – Be careful when driving in hot or cold environments (sunshine, extreme cold, saunas, etc.) for a sufficient amount of time and when touching - Surfaces can assume the environment temperatures.**
1. Release the brakes.
  2. Take both hand rims at their highest position.
  3. Lean forward and push the hand rims forward until straight arms.
  4. Swing your arms loosely back to the hand rims topside and repeat the movement.

## 2.10 Moving on slopes

- ⚠ **WARNING: Control your speed – Moving on slopes as slow as possible.**
- ⚠ **WARNING: Consider the capacities of your attendant – If your attendant does not have enough force to control the wheelchair, put on the brakes.**
- ⚠ **WARNING: Risk of tipping over – Lean forward to move your centre of gravity forward. To improve a better stability.**



1. If available on the wheelchair, wear the safety belt.
2. Do not attempt moving on too high slopes. The maximum slope angles (upwards and downwards) are mentioned in table 1.
3. Ask an attendant to help you moving on the slope.
4. Lean forward to move your centre of gravity forward.

## 2.11 Negotiating steps or curbs

### 2.11.1 Getting down steps or curbs

Riding down low curbs can be done moving forwards. Make sure that the footplates do not touch the ground.



A practiced user can negotiate small steps or curbs by himself:

- ⚠ **WARNING: Risk of tipping over – If you do not have enough experience with your wheelchair, ask assistance of an attendant.**
1. Bring balance on the rear wheels to reduce the pressure on the front wheels.
  2. Negotiate the curbs.

Higher curbs can be taken forward with an attendant:

1. Ask the attendant to tip the wheelchair slightly backwards.
2. Get past the curbs while moving on the rear wheels.
3. Put the wheelchair back on the four wheels.



An experienced user can negotiate higher curbs by himself. This is best done backwards.

1. Turn the wheelchair to have the rear wheels facing the curbs.
2. Lean forward to move your centre of gravity forward.
3. Move the wheelchair close to the curbs.
4. Use the hand rim to roll-off wheelchair from the curbs in a controlled manner.

## 2.11.2 Moving up steps or curbs

Moving up steps or curbs with attendant as follows:



1. Prevent the footplates from touching the curbs.
2. Ask the attendant to tip the wheelchair backwards, just enough to move the front wheels over the curbs.
3. Lean backwards to move your centre of gravity above the rear wheel.
4. Place the front wheels on the curbs.
5. Roll rear wheels of the wheelchair over the curb.

Higher curbs are negotiated backwards:

1. Turn the wheelchair to have the rear wheels facing the curbs.
2. Lean backwards and move your centre of gravity above the rear wheels.
3. Ask the attendant to pull the wheelchair on the curbs.
4. Take back the normal position in the wheelchair.

An experienced user can negotiate curbs by himself:

**⚠ WARNING: Risk of tipping over – If you have not enough experience to control the wheelchair, get help from an attendant.**



1. Drive until the curbs.
2. Ensure that the footplates do not touch the curbs.
3. Lean backwards so you are balancing on the rear wheels.



4. Roll the front wheels balancing over the curbs.
5. Bend forward for more stability.
6. Roll the rear wheels over the curbs.

## 2.11.3 Taking of stairs

Taking of stairs while you staying in the wheelchair shall be according following rules:

**⚠ WARNING: Risk of tipping over – Taking of stairs shall always with 2 attendants.**

1. Remove the footrests.
2. One attendant tip the wheelchair slightly backwards.
3. The second attendant take the front of the frame.
4. Stay calm, avoid sudden movements and keep your arms inside the wheelchair.
5. Take the steps on the rear wheels of the wheelchair.
6. Mounting the footrests back after taking the stair.

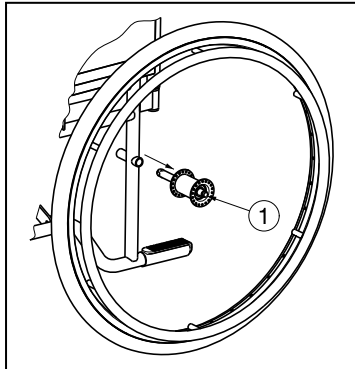
## 2.12 Fold up the wheelchair

**⚠ CAUTION: Chance of pinching – Do not place fingers between the components of the wheelchair.**

1. Fold or remove the footplates (see § 2.4).
2. Take the seat on the front side and backside and pull it up.

## 2.13 Taking off the wheels (if quick release axle is available)

To facilitate the transport off the wheelchair the rear wheels can be taken off:



1. Make sure the brakes standing in the off position.
2. Take the wheelchair to the side frame where you want to remove the wheel.
3. Press the button ① in the center of the wheel hub.
4. Pull the wheel away from the frame.

## 2.14 Transport in the car

- ⚠ **DANGER:** Risk of injury – The wheelchair is not suited for use as a seat in a motor vehicle.
- ⚠ **WARNING:** Risk of injury – See that the wheelchair is attached properly. So you can avoid injury from the passengers during collision or sudden braking.
- ⚠ **WARNING:** Risk of injury – Use for attaching the wheelchair and passenger NEVER the same seatbelt.

Never use your wheelchair as a seat in an automobile or other vehicle. The wheelchair shall be marked with following symbol.



To transport the wheelchair in the car use following steps:

1. Remove footrests, armrests and accessories.
2. Store footrests and accessories safely.
3. If possible, fold the wheelchair and remove the wheels.
4. Place the wheelchair in the luggage place.
5. If the wheelchair and the passenger compartment is NOT separated, attach the frame of the wheelchair securely to the vehicle. You can use the available safety belts in the vehicle.

## 3 Installation and adjustment

The instructions in this chapter are for the specialist dealer.

The Vermeiren wheelchairs 28 has been designed entirely for your comfort.

To find a service facility or specialist dealer near you, contact the nearest Vermeiren facility. A list of Vermeiren facilities can be found on the last page.

- ⚠ **WARNING:** Risk of unsafe settings - Use only the settings described in this manual.
- ⚠ **WARNING:** Variation of allowed adjustments can still change the stability of your wheelchair (tilt back or sideways).

### 3.1 Tools

To set up the wheelchair the following tools are needed.

- Wrench set n° 10 to n° 19
- Allen key set n° 4 to n° 5
- Screwdriver Phillips head

### 3.2 Manner of delivery

The Vermeiren 28 shall be delivered with:

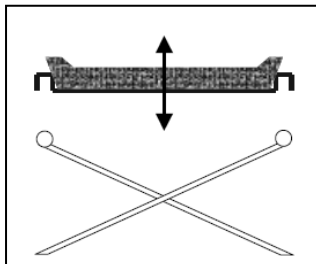
- 1 frame with armrests, rear and front wheels (seat height of 500 mm, seat angle of 5°)
- 1 pair footrests
- Back and seat cushion
- Tools
- Manual
- Accessories (optional)
- Pump (with pneumatic tyres only)

Before use check if everything is included and that no products are damaged (example by transport, ...).

### 3.3 Anatomical seat (OPTIONAL)

**⚠ WARNING: Risk of injury – Check that the seat is secured before use.**

**⚠ WARNING: Risk of injury – Avoid getting your fingers caught during the assembly process.**

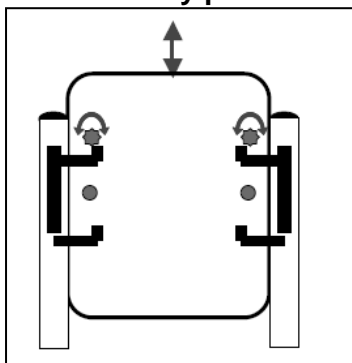


If you have opted for an anatomical padded seat, place it on the tubular cross-hinge so that the seat's supports engage equally with the cross-hinge. In the wooden base you will find slots that are placed in the hinge's cross-pieces. To fold up the wheelchair, remove the seat by pulling it upwards.

### 3.4 Anatomical backrest (OPTIONAL)

**⚠ WARNING: Risk of injury – Check that the backrest is secured before use.**

**⚠ WARNING: Risk of injury – Avoid getting your fingers caught during the assembly process.**



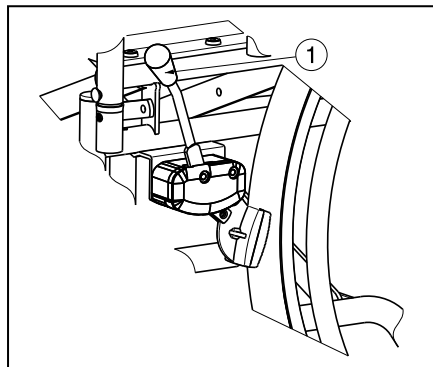
To use the anatomical backrest, proceed as follows:

1. Unscrew the flexible backrest.
2. Loosely screw on the brackets for the backrest.
3. Insert the backrest into the brackets from above.
4. Tighten the screws holding the brackets for the backrest.
5. Insert and tighten the safety screws for the backrest.
6. Add the armrests.

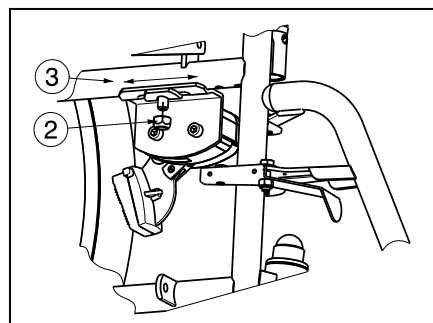
### 3.5 Adjust the brakes

**⚠ WARNING: Risk of injury – Brakes may only be adjusted by your specialist dealer.**

Adjust the brakes according following rules:



1. Install the wheels according § 2.2.
2. Disconnect the brakes by pulling lever ① backwards.

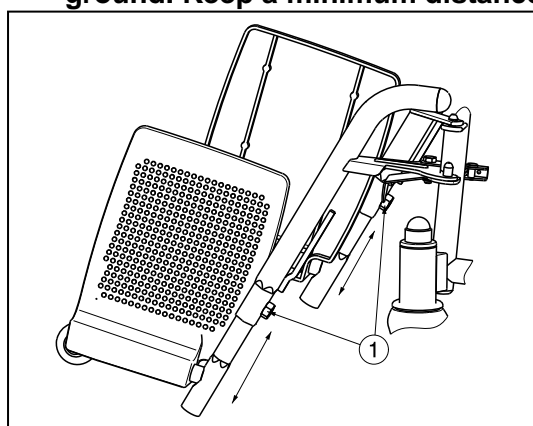


3. Loosen the selflocking nut ② so the brake mechanism can slide over the frame tube ③.
4. Pull the brake mechanism over the tube ③ to the desired position. (the adjustment range: 37 mm step less, shall be possible between the groove on the brake montage plate)
5. Retighten the selflocking nut ②.
6. Check working of the brakes.
7. If necessary repeat the above steps until the brakes are adjusted well.

### 3.6 Adjusting of the footrests

#### 3.6.1 Length of the footrests

**⚠ CAUTION: Risk of damage – Avoid that the footrests make any contact with the ground. Keep a minimum distance from 60 mm above the ground.**



Adjust the length (range of 100 mm: step less) of the footrests as follow:

1. Remove the Allen screw ① on the lower end of the upper part of the footrest.
2. Adjust the length of the footrest to a comfortable length by moving the hexagonal inner tube out or in.
3. Tighten the Allen screw ① properly.

The minimum length is when the footplate tube changes from hexagonal in round.

The maximum length is until the mark in the tube. (These mark is a straight line).

## 4 Maintenance

For the maintenance manual of the wheelchairs refer to the Vermeiren website:  
[www.vermeiren.be](http://www.vermeiren.be).



## Table des matières

<b>Préface</b> .....	<b>2</b>
<b>1 Description du produit</b> .....	<b>3</b>
1.1 Utilisation prévue .....	3
1.2 Spécifications techniques .....	4
1.3 Composants .....	5
1.4 Accessoires .....	5
1.5 Explication des symboles .....	6
1.6 Règles de sécurité .....	6
<b>2 Utilisation</b> .....	<b>7</b>
2.1 Transport du fauteuil roulant .....	7
2.2 Montage des roues arrière (si l'axe à démontage rapide est présent) .....	7
2.3 Dépliage du fauteuil roulant .....	7
2.4 Placer ou enlever les repose-pieds .....	7
2.5 Utilisation des freins .....	8
2.6 Montage ou retrait des accoudoirs .....	9
2.7 Transfert dans et hors du fauteuil roulant .....	9
2.8 Position correcte du fauteuil roulant .....	9
2.9 Déplacements avec le fauteuil roulant .....	10
2.10 Déplacements en pente .....	10
2.11 Passage de marches ou de bordures de trottoirs .....	10
2.12 Pliage du fauteuil roulant .....	12
2.13 Retrait des roues (si l'axe à démontage rapide est présent) .....	12
2.14 Transport en voiture .....	12
<b>3 Installation et réglage</b> .....	<b>13</b>
3.1 Outils .....	13
3.2 Mode de livraison .....	13
3.3 Assise anatomique (en option) .....	14
3.4 Dossier anatomique (en option) .....	14
3.5 Réglages des freins .....	14
3.6 Réglages des repose-pieds .....	15
<b>4 Maintenance</b> .....	<b>15</b>

## Préface

Nous tenons tout d'abord à vous remercier de nous avoir fait confiance en choisissant l'un de nos fauteuils roulants.

Les fauteuils roulants Vermeiren sont le résultat de nombreuses années de recherche et d'expérience. Au cours du développement, une attention spéciale a été portée sur la facilité d'utilisation et les possibilités d'entretien du fauteuil roulant.

La durée de vie attendue de votre fauteuil roulant est fortement influencée par l'entretien et la maintenance dont il bénéficie.

Ce manuel vous aidera à connaître le fonctionnement de votre fauteuil roulant.

Le respect des instructions d'utilisation et des instructions de maintenance est une condition essentielle de la garantie.

Ce manuel reflète les derniers développements du produit. Vermeiren est autorisé à apporter des modifications sans devoir pour autant adapter ou remplacer les modèles fournis précédemment.

Pour toute question, consultez votre distributeur.

## 1 Description du produit

### 1.1 Utilisation prévue

Le fauteuil roulant est destiné aux personnes qui ont des difficultés à marcher ou sont dans l'impossibilité de marcher.

Le fauteuil roulant est destiné au transport d'une seule personne.

Le fauteuil roulant est destiné à une utilisation en intérieur et en extérieur.

L'utilisateur peut lui-même faire avant le fauteuil roulant ou se faire pousser par une autre personne.

Les différents types d'équipements et d'accessoires et la construction modulaire permettent une utilisation complète par des personnes souffrant des handicaps suivants:

- paralysie,
- de la perte de membres (amputation des jambes),
- déficience ou malformation de membres,
- de contractions ou d'affections articulaires
- insuffisances cardiaques et mauvaise circulation sanguine,
- troubles de l'équilibre,
- cachexie (perte musculaire),
- et les personnes gériatriques

En cas de fourniture pour des besoins individuels :

- de la taille et du poids corporel (maximum 110 kg ou 150 kg fauteuil roulant avec coussins anatomiques),
- de l'état physique et psychologique,
- la nature de la résidence,
- l'environnement

Votre fauteuil roulant ne doit être utilisé que sur des surfaces où les quatre roues touchent le sol et où le contact est suffisant pour entraîner les roues de manière équilibrée.

Il est recommandé de s'entraîner à un usage sur des surfaces irrégulières (pavés, etc.), pentes, courbes et à passer des obstacles ( bordures de trottoirs, etc.).

Le fauteuil roulant ne doit pas être utilisé comme échelle, ni pour le transport d'objets lourds ou chauds.

En cas d'utilisation sur des paillasons, moquettes ou revêtements de sols non fixés, le revêtement de sol peut être endommagé.


Utilisez uniquement des accessoires approuvés par Vermeiren.

Le fabricant n'est pas responsable des dommages causés par l'absence ou l'inadéquation de l'entretien, ou par le non-respect des instructions de ce manuel.

Le respect des instructions d'utilisation et des instructions de maintenance est une condition essentielle de la garantie.

## 1.2 Spécifications techniques

Les indications techniques ci-dessous sont valides pour le fauteuil roulant avec ses réglages standard. En cas d'utilisation d'autres repose-pieds/accoudoirs ou autres accessoires, les valeurs indiquées sont modifiées.

<b>Marque</b>	Vermeiren				
<b>Adresse</b>	Vermeirenplein 1/15, B-2920 Kalmthout				
<b>Type</b>	Fauteuil roulant manuel				
<b>Modèle</b>	28				
<b>Poids max. du patient</b>	110 kg 150 kg fauteuil roulant avec coussins anatomiques				
<b>Description</b>	<b>Dimensions</b>				
Largeur d'assise efficace	390 mm	440 mm	500 mm	550 mm	
Largeur totale (en fonction de la largeur d'assise)	560 mm	610 mm	670 mm	750 mm	
Largeur plié	290 mm	290 mm	310 mm	350 mm	
<b>Description</b>	<b>Dimensions min.</b>		<b>Dimensions max.</b>		
Longueur totale avec repose-pied	1110 mm				
Longueur plié sans repose-pied	860 mm				
Hauteur plié	920 mm				
Masse totale	± 20 kg				
Masse de la partie la plus lourde	12 kg				
Des masses de pièces qui peuvent être démontés ou retirés	<b>Repose-pieds : 1,90 kg; Accoudoirs : 1,85 kg ; Roues arrières: 4,15 kg</b>				
Stabilité statique en descente	15°				
Stabilité statique en montée	15°				
Stabilité statique latérale	15°				
Passage d'obstacle	60 mm				
Angle du plan d'assise	5°				
Profondeur d'assise efficace	430 mm				
Hauteur de la surface d'assise sur le bord avant	500 mm				
Angle du dossier	5°				
Hauteur du dossier	420 mm				
Distance entre le repose-pied et le siège	420 mm		520 mm		
Angle entre le palette et le siège	9°				
Angle entre le jambe de repose-pied et le siège	115°				
Distance entre la manchette et le siège	230 mm				
Emplacement avant de la structure des accoudoirs	220 mm				
Diamètre de la main-courante	535 mm				
Emplacement horizontal de l'essieu (flèche)	-3 mm				
Rayon de braquage minimal	1680 mm				
Diamètre des roues arrière PU	24"				
Pression des pneus, roues arrières (roues motrices) (pour les pneus à air)	Max. 3,5 bars				
Diamètre des roues directrices PU	200 mm				
Pression des pneus, roues directrices (pour les pneus à air)	Max. 2,5 bars				
Température de stockage et d'utilisation	+ 5 °C		+ 41 °C		

Humidité de stockage et d'utilisation	30%	70%
Nous nous réservons le droit d'apporter des modifications. Tolérances $\pm 15$ mm / 1,5 kg / °		

Tableau 1 : Spécifications techniques 28

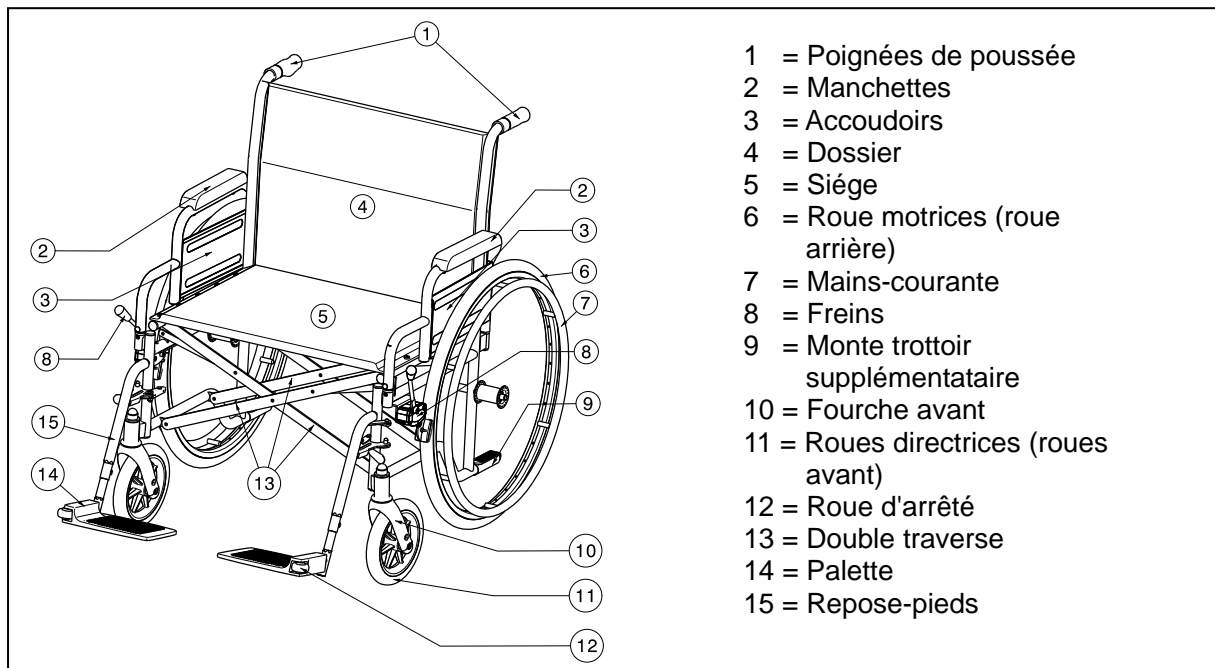
Le fauteuil roulant satisfait aux exigences posées dans :

ISO 7176-8: Exigences et méthodes de test pour les forces statiques, d'impact et de fatigue.

EN 1021-1 : Evaluation de l'allumabilité des meubles garnis - Cigarette fumante comme source d'inflammation

EN 1021-2 : Détermination de l'allumabilité des meubles garnis - Equivalent de la flamme d'une allumette comme source d'inflammation

### 1.3 Composants



### 1.4 Accessoires

Les accessoires suivants sont disponibles pour le 28 :

- Accoudoirs (B02, B05, B66, B66O)
- Repose-pieds, repose-jambes (B06, B07, B08, BZ7, BZ8, BZ9, BZ10, BK7, BL7, BA6, BK6)
- Tablette (B12)
- Porte béquille (B31)
- Porte sérum (B52)
- Dossier (L14, L24)
- Ceinture de sécurité (B20, B58) à monter sur les tubes du dossier
- Anti-bascule (B78) à fixer sur le cadre arrière inférieur
- Frein à tambour pour l'accompagnateur (B74) pour fixer aux poignées
- Kit poussete (T30)
- Kit amputé: deport des roues arrières (AMP)
- Axe à démontage rapide (B80)
- Roues à batons (B86)
- Appui-tête (B47, L55, L58)
- Barre de poussée (B90)
- Supports latéraux, Pelottes (L04)

## 1.5 Explication des symboles



Poids maximum



Usage intérieur et extérieur



Pente sécurisée maximale



Conformité CE



Désignation type



Ne convient pas pour être utilisé comme siège dans un véhicule motorisé

## 1.6 Règles de sécurité

- ⚠ Lorsque vous utilisez les roues motrices, veillez à ce qu'aucun objet et/ou partie du corps ne puisse prendre dans les rayons, sous peine de blessures et/ou de dégâts à votre fauteuil roulant.
- ⚠ Actionnez les freins de stationnement avant de vous installer ou de quitter votre fauteuil roulant.
- ⚠ Ne montez pas sur les palettes pour vous asseoir ou pour sortir du fauteuil roulant. Il doit être repliés vers le haut ou tout le repose-pied doit être tourné vers l'extérieur.
- ⚠ Observez les effets sur le comportement du fauteuil roulant lorsque vous déplacez son centre de gravité, sur une pente ou une montée, sur un sol avec une pente latérale ou lors du franchissement d'obstacles par exemple. Faites-vous aider par un accompagnateur.
- ⚠ Lorsque vous prenez des objets (qui se trouvent devant, à côté ou derrière le fauteuil roulant), veillez à ne pas trop vous pencher en dehors du fauteuil roulant. Car il y a un risque de basculement en raison du déplacement du centre de gravité.
- ⚠ Lorsque vous franchissez des portes, des arches, etc., assurez-vous d'avoir assez d'espace sur les côtés de façon à ne pas coincer ou écraser vos mains ou vos bras et à ne pas endommager votre fauteuil roulant.
- ⚠ Utilisez votre fauteuil roulant exclusivement en suivant les dispositions en vigueur. Par exemple, évitez de perdre le contrôle lorsque vous vous dirigez vers des obstacles (marches, bordures, chambranles, etc.) ou lorsque vous descendez d'un rebord. Le fabricant n'assume aucune responsabilité en cas de dommages causés par une surcharge, une collision ou toute autre utilisation inadaptée.
- ⚠ Les escaliers ne peuvent être franchis qu'avec l'aide d'un accompagnateur/d'une accompagnatrice. Si un élévateur, des rampes ou des ascenseurs sont disponibles, utilisez-les.
- ⚠ Lors de tout déplacement sur la voie publique, vous êtes soumis au code de la route.
- ⚠ Lorsque vous utilisez votre fauteuil roulant, vous ne devez pas être sous l'influence de l'alcool ou de médicaments comme pour la conduite d'autres véhicules. Ceci vaut également pour l'intérieur.
- ⚠ Lors de déplacements à l'extérieur, adaptez votre conduite aux conditions climatiques et du trafic.
- ⚠ Lors du transport du fauteuil roulant, ne la saisissez jamais par les pièces mobiles (accoudoir, repose-pieds, etc.).
- ⚠ Pour être bien visibles dans l'obscurité, portez les vêtements les plus clairs possible ou des vêtements réfléchissants et vérifiez que les réflecteurs fixés sur les côtés et à l'arrière de votre fauteuil roulant sont clairement visibles.

- ⚠ Veillez à ne pas dépasser la charge utile maximale (Voir tableau 1: Poids max. du patient).

## 2 Utilisation

Ce chapitre décrit l'utilisation quotidienne. **Ces instructions sont destinées à l'utilisateur et au distributeur.**

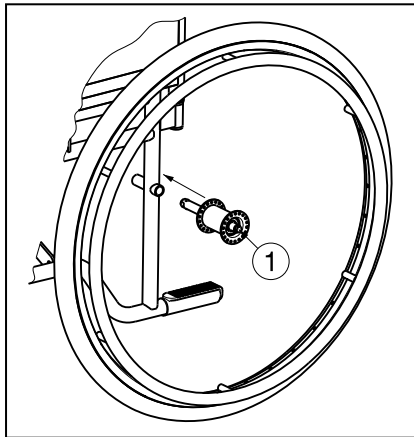
Le fauteuil roulant est livré entièrement assemblé par votre distributeur. Les instructions destinées au distributeur pour le réglage du fauteuil roulant sont indiquées au § 3.

### 2.1 Transport du fauteuil roulant

Le meilleur moyen de déplacer le fauteuil roulant consiste à le faire rouler sur ses roues.

Si cela n'est pas (par exemple en cas de retrait des roues arrière pour le transport dans une voiture), saisir fermement le cadre à l'avant et les poignées. Ne pas saisir le fauteuil roulant par les repose-pieds ni par les accoudoirs.

### 2.2 Montage des roues arrière (si l'axe à démontage rapide est présent)



1. Prenez la roue arrière et poussez sur le bouton ①.
2. Maintenez le bouton enfoncé et montez l'essieu arrière jusqu'à ce qu'il soit bloqué.
3. Relâchez le bouton ①.
4. Vérifiez que la roue est bloquée.

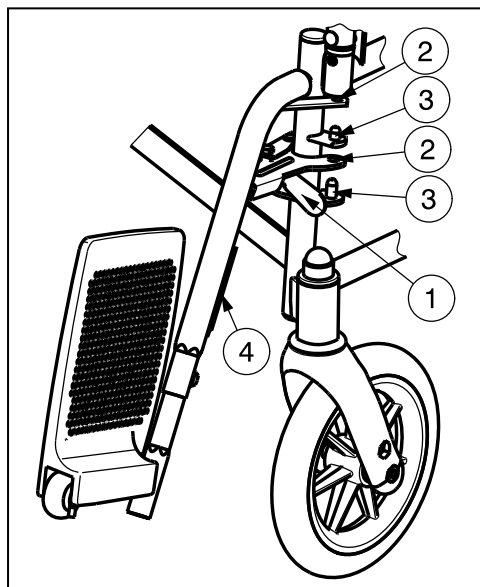
### 2.3 Dépliage du fauteuil roulant

- ⚠ **ATTENTION** : risque de coincement - Laissez les doigts à l'écart des pièces amovibles du fauteuil roulant.

1. Placez-vous derrière le fauteuil roulant.
2. Utilisez les poignées pour ouvrir le fauteuil roulant autant que possible.
3. Placez-vous à l'avant du fauteuil roulant.
4. Poussez sur les deux tubes de l'assise vers le bas jusqu'à ce qu'ils soient fixés à leur place.

### 2.4 Placer ou enlever les repose-pieds

- ⚠ **AVERTISSEMENT** : risque de blessures – Vérifiez que les repose-pieds sont fermement installé avant d'utiliser le fauteuil roulant.
- ⚠ **ATTENTION** : risque de blocage – Ne pas placer d'objets ou vos doigts au niveau de la partie amovible du repose-pieds.



L'installation de repose-pied se fait de la manière suivante :

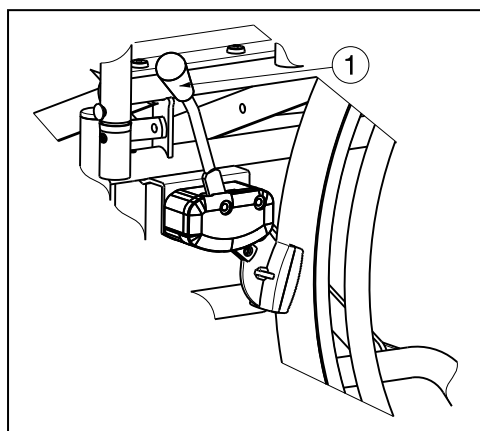
1. Gardez le repose-pied en oblique sur la partie externe de la structure du fauteuil roulant.
2. Montez les crans ② du repose-pied au niveau des broches ③ fixées à la structure.
3. Basculez le repose-pied vers l'intérieur jusqu'à ce qu'il se bloque en position. Si vous éprouvez des difficultés lorsque vous devez river, exercer légèrement une pression sur le verrouillage.
4. Tournez la palette vers le bas.
5. Remplacez maintenant la bande pour les mollets dans les crochets ④.

Pour retirer le repose-pied :

1. Enlevez d'abord la bande pour les mollets en la détachant du crochet ④ des deux côtés.
2. Poussez le levier ① se trouvant à proximité de la fixation de repose-pied vers l'arrière.
3. Tournez le repose-pied vers l'extérieur du fauteuil roulant.
4. Tirez les crans ② du repose-pied des broches ③ fixées à la structure.

## 2.5 Utilisation des freins

- ⚠ **AVERTISSEMENT** : les freins n'ont pas pour but de ralentir le fauteuil roulant lors de déplacements – Ne les utilisez que pour éviter des mouvements non souhaités.
- ⚠ **AVERTISSEMENT** : le fonctionnement du freins à mains ont influencé par l'usure et les salissures des pneus (eau, huile, boue...). Vérifiez l'état des pneus avant chaque utilisation.
- ⚠ **AVERTISSEMENT** : les freins sont réglables et sont sujets à l'usure – Vérifiez leur fonctionnement avant chaque utilisation.



Pour actionner les freins :

1. Poussez les poignées de freins ① vers l'avant jusqu'à ce que vous sentiez un clic net.

- ⚠ **ATTENTION** : risque de mouvements non souhaités. Vérifiez que le fauteuil roulant se trouve sur une surface horizontale plane avant de relâcher les freins. Ne relâchez jamais les deux freins en même temps.

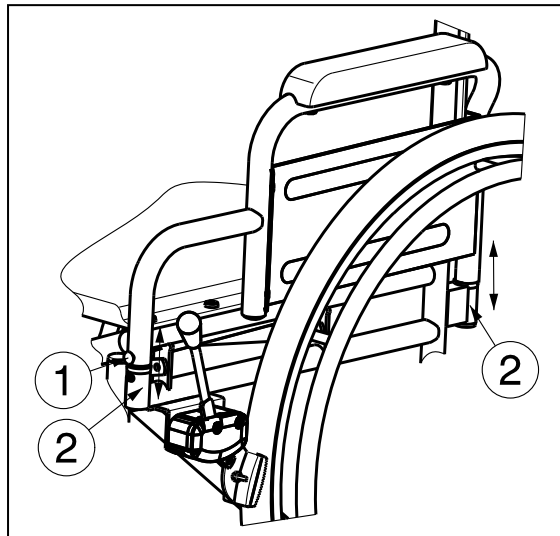
Pour relâcher les freins :

1. Relâchez un frein en tirant la poignée ① vers l'arrière.
2. Saisissez la main-courante (si disponible) de la roue libre avec la main.
3. Désactivez l'autre frein en tirant le levier ① vers l'arrière.



## 2.6 Montage ou retrait des accoudoirs

- ⚠ **ATTENTION** : Risque de pincement - Éloignez vos doigts, les ceintures et les vêtements de la partie inférieure de l'accoudoir.
- ⚠ **ATTENTION** : Risque de blessures – Vérifiez que les accoudoirs est fermement installé avant d'utiliser le fauteuil roulant.



Le retrait des accoudoirs du fauteuil roulant s'effectue en suivant les instructions ci-dessous.

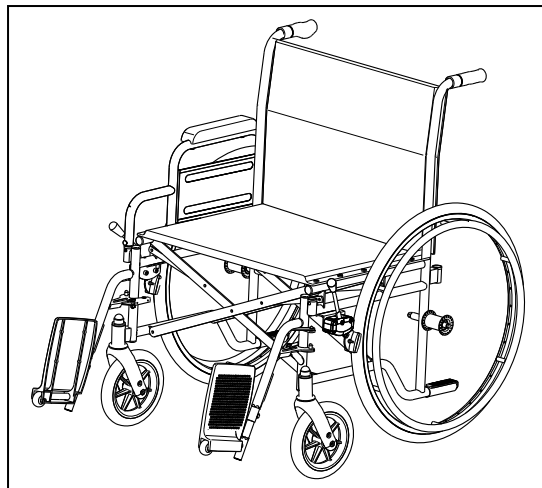
1. Appuyez sur le bouton poussoir ① situé à l'avant de l'accoudoir.
2. Soulevez le support d'accoudoir ② fixé au cadre de l'assise.

Les accoudoirs du fauteuil roulant peuvent être montés en suivant les instructions suivantes.

1. Montez l'accoudoir au niveau des supports de cadre de l'assise ②.
2. Poussez le bouton poussoir d'accoudoir ① jusqu'à ce que celui-ci soit dans le tube du châssis.
3. Vérifiez que l'accoudoir est fixé fermement.

## 2.7 Transfert dans et hors du fauteuil roulant

- ⚠ **ATTENTION** : Si vous ne pouvez pas réaliser le transfert en toute sécurité, demandez à quelqu'un de vous aider.
- ⚠ **ATTENTION** : risque de basculer hors du fauteuil roulant. Ne vous levez pas sur les palettes.



1. Placez le fauteuil roulant aussi près que possible de la chaise, du canapé ou du lit concerné par le transfert.
2. Vérifiez que les deux freins du fauteuil roulant sont actionnés.
3. Pliez les palettes vers le haut pour éviter de prendre appui sur elles.
4. Si le transfert est réalisé sur le côté du fauteuil roulant, enlevez l'accoudoir de ce côté (voir § 2.6).
5. Procédez au transfert vers/depuis le fauteuil roulant.

## 2.8 Position correcte du fauteuil roulant

Recommandations pour une utilisation confortable du fauteuil roulant :

- Placez votre dos aussi proche que possible du dossier.
- Assurez-vous que vos cuisses soient horizontales. Réglez la longueur des palettes si nécessaire (voir § 3.6.1).

## 2.9 Déplacements avec le fauteuil roulant

- ⚠ **AVERTISSEMENT** : risque de pincement – Évitez de laisser vos doigts se prendre dans les rayons des roues.
- ⚠ **AVERTISSEMENT** : risque de pincement - Soyez prudent lorsque vous franchissez des passages étroits (portes, par exemple).
- ⚠ **AVERTISSEMENT** : risque de brûlures – Soyez prudent lorsque vous vous déplacez dans des environnements chauds ou froids (lumière du soleil, froid extrême, saunas, etc.) pendant une certaine durée et lorsque vous le touchez - Les surfaces peuvent prendre la température de l'environnement.

1. Relâchez les freins.
2. Saisissez le haut des deux mains-courantes.
3. Penchez-vous en avant et poussez les mains-courantes vers l'avant jusqu'à ce que vos bras soient tendus.
4. Ramenez doucement vos bras vers le haut des mains-courantes et répétez ce mouvement.

## 2.10 Déplacements en pente

- ⚠ **AVERTISSEMENT** : contrôlez votre vitesse, déplacez-vous sur les pentes aussi lentement que possible.
- ⚠ **AVERTISSEMENT** : prenez en compte les capacités de votre accompagnateur – Si votre accompagnateur n'a pas la force suffisante pour contrôler le fauteuil roulant, actionnez les freins.
- ⚠ **AVERTISSEMENT** : risque de basculement. Penchez-vous vers l'avant pour déplacer votre centre de gravité vers l'avant. Vous gagnerez ainsi en stabilité.



1. Si le fauteuil roulant est équipé d'une ceinture de sécurité, utilisez-la.
2. N'essayez pas de franchir des pentes trop difficiles. Les angles maximum de la pente (vers le haut et vers le bas) figurent au tableau 1.
3. Demandez à un accompagnateur de vous aider à franchir une pente.
4. Penchez-vous vers l'avant pour déplacer votre centre de gravité vers l'avant.

## 2.11 Passage de marches ou de bordures de trottoirs

### 2.11.1 Descente de marches ou de bordures de trottoirs

Il est possible de descendre de petites bordures de trottoirs en avançant. Assurez-vous que les palettes ne touchent pas le sol.



Un utilisateur entraîné peut franchir seul de petites marches ou bordures de trottoirs :

- ⚠ **AVERTISSEMENT** : risque de basculement. Si vous n'êtes pas assez expérimenté avec votre fauteuil roulant, demandez de l'aide à quelqu'un.
1. Mettez plus de poids sur les roues arrière pour réduire la pression sur les roues avant.
  2. Franchissez les bordures de trottoirs.

Il est possible de franchir des bordures de trottoirs plus hautes avec un assistant :

1. Demandez à l'assistant d'incliner légèrement le fauteuil roulant vers l'arrière.
2. Franchissez les bordures de trottoirs en roulant sur les roues arrière.
3. Reposez le fauteuil roulant sur ses quatre roues.



Un utilisateur entraîné peut franchir seul des bordures de trottoirs plus hautes. Tournez le fauteuil roulant, roues arrière face à la bordure de trottoir.

1. Tournez le fauteuil roulant, roues arrière face à la bordure de trottoir.
2. Penchez-vous vers l'avant pour déplacer votre centre de gravité vers l'avant.
3. Reculez près de la bordure de trottoir.
4. Utilisez la main-courante pour contrôler la descente de la bordure de trottoir.

## 2.11.2 Montée de marches ou de bordures de trottoirs

Montez des marches ou bordures de trottoirs avec un assistant de la manière suivante :



1. Assurez-vous que les palettes ne touchent pas les bordures de trottoirs.
2. Demandez à l'assistant d'incliner légèrement le fauteuil roulant vers l'arrière, juste assez pour placer les roues avant en haut de la bordure de trottoir.
3. Penchez-vous vers l'arrière et déplacez votre centre de gravité au-dessus de la roue arrière.
4. Placez les roues avant sur la bordure de trottoir.
5. Montez la bordure du trottoir avec les roues arrière du fauteuil roulant.

Franchissez les bordures de trottoirs hautes en marche arrière :

1. Tournez le fauteuil roulant, roues arrière face à la bordure de trottoir.
2. Penchez-vous vers l'arrière et déplacez votre centre de gravité au-dessus de la roue arrière.
3. Demandez à l'assistant de tirer le fauteuil roulant sur la bordure de trottoir.
4. Reprenez votre position normale dans le fauteuil roulant.

Un utilisateur entraîné peut franchir seul des bordures de trottoirs.

**⚠ AVERTISSEMENT : risque de basculement. Si vous n'êtes pas assez expérimenté pour contrôler le fauteuil roulant, demandez de l'aide à quelqu'un.**



1. Roulez jusqu'aux bordures de trottoirs.
2. Assurez-vous que les palettes ne touchent pas les bordures de trottoirs.
3. Penchez-vous vers l'arrière pour déplacer votre centre de gravité vers les roues arrière.



4. Franchissez la bordure de trottoir avec les roues avant.
5. Penchez-vous vers l'avant pour plus de stabilité.
6. Franchissez la bordure de trottoir avec les roues arrière.

### 2.11.3 Passage d'escaliers

Le passage d'escaliers en restant sur le fauteuil roulant doit toujours se faire dans le respect des règles suivantes :

**⚠ AVERTISSEMENT : risque de basculement – Passez toujours des escaliers avec 2 accompagnateurs.**

1. Retirez les repose-pieds.
2. Un assistant incline légèrement le fauteuil roulant vers l'arrière.
3. Le deuxième assistant attrape l'avant du châssis.
4. Restez calme, évitez les mouvements brusques et gardez les bras à l'intérieur du fauteuil roulant.
5. Passez les marches sur les roues arrière du fauteuil roulant.
6. Remontez les repose-pieds après le passage des escaliers.

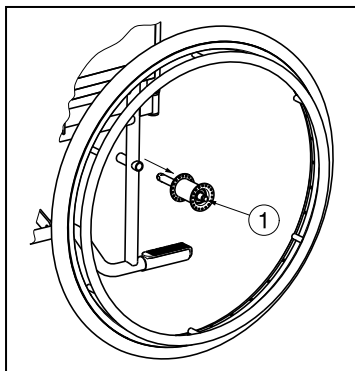
### 2.12 Pliage du fauteuil roulant

**⚠ ATTENTION : risque de coincement - N'insérez pas les doigts entre les éléments du fauteuil roulant.**

1. Pliez ou retirez les repose-pieds (voir § 2.4).
2. Saisissez l'avant et l'arrière du siège et tirez vers le haut.

### 2.13 Retrait des roues (si l'axe à démontage rapide est présent)

Les roues arrière peuvent être retirées pour faciliter le transport du fauteuil roulant :



1. Vérifiez que les freins ne sont pas actionnés.
2. Prenez le fauteuil roulant sur le côté du châssis où vous souhaitez retirer la roue.
3. Appuyez sur le bouton ① au centre du moyeu.
4. Tirez la roue hors du châssis.

### 2.14 Transport en voiture

**⚠ DANGER : risque de lésion - Le fauteuil ne convient pas pour être utilisé comme un siège dans un véhicule motorisé.**

**⚠ AVERTISSEMENT : risque de blessure – Vérifiez que le fauteuil roulant est bien fixé. Vous évitez ainsi des blessures des passagers en cas de collision ou de freinage brutal.**

**⚠ AVERTISSEMENT : risque de blessure. N'utilisez JAMAIS la même ceinture pour le fauteuil roulant et le passager.**

N'utilisez jamais le fauteuil roulant comme un siège dans une voiture ou dans un autre véhicule. Le fauteuil roulant est marqué avec le symbole suivant :



Pour transporter le fauteuil roulant dans la voiture, respectez les étapes suivantes :

1. Retirez les repose-pieds, les accoudoirs et les accessoires.
2. Stockez-les en toute sécurité.
3. Si possible, pliez le fauteuil roulant et retirez les roues.
4. Placez le fauteuil roulant dans le compartiment à bagages.
5. Si le compartiment du fauteuil roulant et celui du passager ne sont pas séparés, fixez le châssis du fauteuil roulant fermement au véhicule. Vous pouvez utiliser les ceintures de sécurité disponibles dans le véhicule.

## 3 Installation et réglage

**Les instructions de ce chapitre sont destinées au distributeur.**

Les fauteuils roulants 28 a été dessiné entièrement pour votre confort.

Pour trouver un service d'entretien ou un revendeur spécialisé près de chez vous, contactez l'établissement Vermeiren le plus proche. Vous trouverez une liste des établissements sur la dernière page.

**⚠ AVERTISSEMENT : risque de réglages dangereux - N'utilisez que les réglages décrits dans ce manuel.**

**⚠ AVERTISSEMENT : une variation des réglages autorisés peut avoir une incidence sur la stabilité de votre fauteuil roulant (inclinaison en arrière ou latérale).**

### 3.1 Outils

Les outils suivants sont requis pour le montage du fauteuil roulant.

- Jeu de clés de 10 à 19
- Jeu de clés Allen de 4 à 5
- Tournevis à tête Phillips

### 3.2 Mode de livraison

Le Vermeiren 28 doit être livré avec :

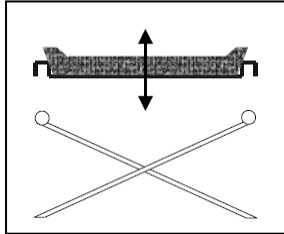
- 1 structure avec des accoudoirs, des roues avant et arrière (hauteur d'assise à 500 mm, angle d'assise à 5°)
- 1 paire de repose-pieds
- Coussins pour le dos et l'assise
- Outils
- Mode d'emploi
- Accessoires (en option)
- Pompe (uniquement avec les pneus pneumatiques)

Vérifiez que vous êtes en possession de tous ces éléments et qu'aucun n'a été endommagé (en particulier durant le transport).

### 3.3 Assise anatomique (en option)

**⚠ AVERTISSEMENT : risque de lésion - Contrôlez que le siège est bien fixé avant d'utiliser le fauteuil roulant.**

**⚠ AVERTISSEMENT : risque de blessures – Évitez de vous coincer les doigts pendant le processus d'assemblage.**

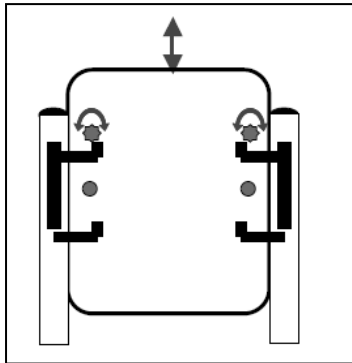


Si vous avez choisi un fauteuil anatomique, vous devez alors le placer sur la structure dépliée en sorte que la fixation de cette assise est bien fixée de manière uniforme sur la structure. Vous trouverez sur le châssis en bois des échancrures dans les quelles vous pouvez placer les traverses de la structure. Pour plier le fauteuil roulant, vous enlevez l'assise vers le haut.

### 3.4 Dossier anatomique (en option)

**⚠ AVERTISSEMENT : risque de lésion - Contrôlez que le dossier est bien fixé avant d'utiliser le fauteuil roulant.**

**⚠ AVERTISSEMENT : risque de blessures – Évitez de vous coincer les doigts pendant le processus d'assemblage.**



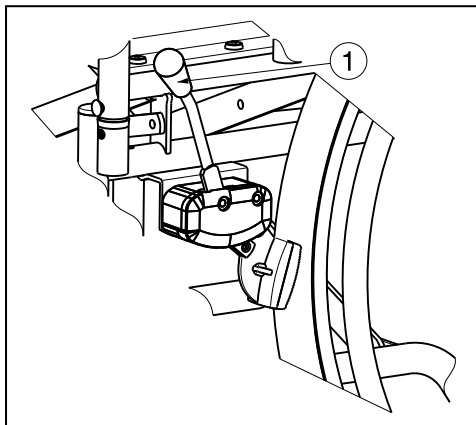
Si vous désirez utiliser un dossier anatomique, vous devez procéder de la manière suivante :

1. Déboulonnez le dossier flexible.
2. Boulonnez légèrement les fixations du dossier.
3. Placez le dossier depuis le haut dans les crochets.
4. Boulonnez les crochets du dossier.
5. Montez et serrez les boulons de sécurité du dossier.
6. Montez les accoudoirs.

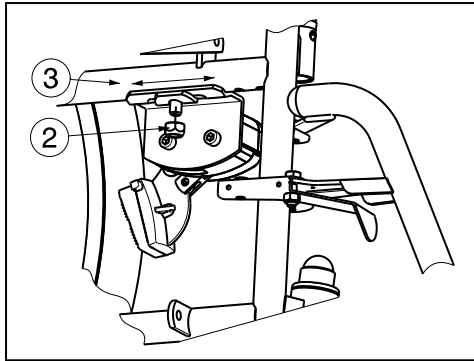
### 3.5 Réglages des freins

**⚠ AVERTISSEMENT : danger de lésion - Faites régler les freins par un commerçant spécialisé et agréé.**

Vous devez régler les freins de la manière suivante :



1. Montez les roues comme cela est décrit au § 2.2.
2. Détachez les freins en tirant le levier ① vers l'arrière.

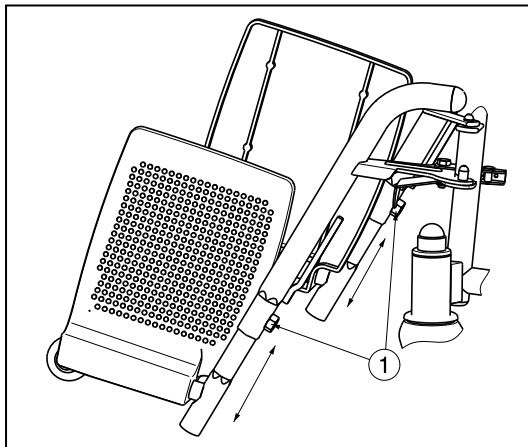


3. Déboulonnez l'écrou qui se verrouille ② tout seul en sorte que le mécanisme de freinage puisse glisser sur el conduit de la structure ③.
4. Glissez le mécanisme de freinage sur le conduit ③ jusqu'à la position souhaitée. (La portée de réglage: 37 mm variation continue, du frein se trouve entre l'encoche de la plaque du montage du frein).
5. Refixez l'écrou qui se verrouille tout seul ②.
6. Contrôlez le fonctionnement des freins.
7. Si nécessaire, répétez les étapes mentionnées ci-dessus jusqu'au réglage correct des freins.

## 3.6 Réglages des repose-pieds

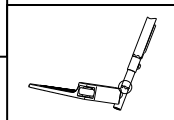
### 3.6.1 Longueur des repose-pieds

**⚠ ATTENTION** : risque de dommage, évitez tout contact entre les repose-pieds et le sol. Garez une distance minimale de 60 mm avec le sol.



Ajustez la longueur des repose-pieds (fourchette de 100 mm : variation continue) de la manière suivante :

1. Enlevez la vis à six pans creux ① sur le dessous de la partie de tube supérieures du repose-pieds.
2. Réglez les repose-pieds sur une longueur confortable en déplaçant le conduit hexagonal en dehors et en dedans.
3. Serrez bien la vis à six pans creux ① .



La longueur minimale est obtenue lorsque le conduit du palette passe de hexagonal à rond.

La longueur maximale est marquée sur le conduit. (Cette marque est une ligne droite).

## 4 Maintenance

Le mode d'emploi des fauteuils roulants manuels se trouve sur le site Internet de Vermeiren, [www.vermeiren.be](http://www.vermeiren.be).

## INHOUDSOPGAVE

<b>Voorwoord .....</b>	<b>2</b>
<b>1 Productomschrijving .....</b>	<b>3</b>
1.1 Toepassingsgebied.....	3
1.2 Technische specificaties .....	4
1.3 Onderdelen .....	5
1.4 Accessoires.....	5
1.5 Verklaring van de symbolen.....	6
1.6 Voor Uw veiligheid .....	6
<b>2 Gebruik.....</b>	<b>7</b>
2.1 Dragen van de rolstoel.....	7
2.2 Plaatsen van de achterwielen (indien quickrelease assen aanwezig zijn) .....	7
2.3 Ontvouwen van de rolstoel.....	7
2.4 Plaatsen of verwijderen van de voetsteunen .....	7
2.5 Bedienen van de remmen .....	8
2.6 Plaatsen of verwijderen van de armsteunen .....	9
2.7 Transfer in en uit de rolstoel.....	9
2.8 Correcte positie in de rolstoel.....	9
2.9 Rijden met de rolstoel .....	10
2.10 Rijden op hellingen .....	10
2.11 Nemen van hindernissen (trottoirs).....	10
2.12 Opvouwen van de rolstoel.....	12
2.13 Verwijderen van de wielen (Indien quickrelease assen aanwezig zijn) .....	12
2.14 Transport in de auto.....	12
<b>3 Montage en afstelling.....</b>	<b>13</b>
3.1 Gereedschap .....	13
3.2 Leveringsomvang .....	13
3.3 Anatomische zit (optioneel) .....	13
3.4 Anatomische rug (optioneel).....	14
3.5 Afstellen van de remmen.....	14
3.6 Instellen van de voetsteunen .....	15
<b>4 Onderhoud.....</b>	<b>15</b>
<b>5 Clusteromschrijvingen .....</b>	<b>15</b>



## Voorwoord

We willen U danken voor het vertrouwen dat U in onze producten stelt.

De rolstoelen van Vermeiren zijn het resultaat van jarenlange studies en ervaringen. Bij de ontwikkeling werd veel aandacht besteed aan een eenvoudige bediening en een gemakkelijk onderhoud.

De verwachte levensduur van Uw rolstoel hangt in sterke mate af van de zorg waarmee U de rolstoel behandelt.

Deze handleiding maakt U vertrouwd met de bediening van Uw rolstoel.

Het naleven van de gebruiks- en onderhoudsinstructies vormen een essentieel onderdeel van de garantiebepalingen.

Deze handleiding houdt rekening met de recentste productontwikkelingen. De Firma Vermeiren behoudt zich echter het recht voor om wijzigingen door te voeren zonder verplicht te zijn voordien geleverde modellen aan te passen of te vervangen.

Als U nog vragen hebt, neemt U best contact op met Uw vakhandelaar.

# 1 Productomschrijving

## 1.1 Toepassingsgebied

De rolstoel is bedoeld voor mensen die moeilijk of niet kunnen lopen.

De rolstoel is ontworpen voor het transport van 1 persoon.

De rolstoel kan zowel binnenshuis als buiten gebruikt worden.

De gebruiker kan de rolstoel zelf voortbewegen of laten duwen door een begeleider.

De verschillende soorten onderdelen en accessoires, en de modulaire constructie, zorgen ervoor dat de rolstoel ten volle kan worden gebruikt door mensen die invalide zijn omwille van:

- Verlamming
- Verlies van ledematen (beenamputatie)
- Defect of aandoeningen van ledematen
- Contracturen of gewrichtsaandoeningen
- Hart- en bloedsomloopinsufficiëntie
- Evenwichtsstoornissen
- Cachexie (afname van het spierweefsel)
- en geriatrische personen

Hou bij de individuele verzorging rekening met:

- grootte en lichaamsgewicht (max. 110 kg of 150 kg voor rolstoelen met anatomische kussens)
- fysieke en psychologische gesteldheid
- woonomgeving
- milieu

Uw rolstoel mag alleen gebruikt worden op ondergronden waarbij alle vier de wielen de grond raken en waarbij het bodemcontact voldoende is voor een gelijkmatige aandrijving van alle wielen.

Extra oefening is nodig voor het rijden op ongelijkmatige ondergrond (kasseien, etc.), hellingen en bochten (zijdelings omvallen), evenals het nemen van hindernissen (bvb. Trottoirranden).

De rolstoel dient niet als klimtoestel of om hete of zware voorwerpen te transporteren.

Het gebruik van de rolstoel op tapijten, tapijtvloeren of andere losse vloerbedekkingen kan slijtage van de vloerbedekking tot gevolg hebben.

Gebruik enkel door Vermeiren goedgekeurde accessoires.

Vermeiren is niet aansprakelijk voor schade door gebrekkig of onvoldoende onderhoud of als gevolg van het niet naleven van instructies van deze handleiding.

Het naleven van de gebruiks- en onderhoudsinstructies vormen een essentieel onderdeel van de garantiebepalingen.

## 1.2 Technische specificaties

Onderstaande technische gegevens zijn geldig voor de rolstoel in standaard instellingen. Wanneer er andere voetsteunen / armsteunen of andere accessoires worden gebruikt, worden de opgegeven waarden gewijzigd.

<b>Merk</b>	Vermeiren			
<b>Adres</b>	Vermeirenplein 1/15, B-2920 Kalmthout			
<b>Type</b>	Manuele rolstoel			
<b>Model</b>	28			
<b>Maximale massa gebruiker</b>	110 kg 150 kg voor rolstoelen met anatomische kussens			
<b>Beschrijving</b>	<b>Afmetingen</b>			
Effectieve zitbreedte	390 mm	440 mm	500 mm	550 mm
Totale breedte (afhankelijk van de zitbreedte)	560 mm	610 mm	670 mm	750 mm
Breedte dichtgevouwen	290 mm	290 mm	310 mm	350 mm
<b>Beschrijving</b>	<b>Afmetingen min.</b>		<b>Afmetingen max.</b>	
Totale lengte inclusief voetsteun	1110 mm			
Lengte dichtgevouwen zonder voetsteun	860 mm			
Hoogte dichtgevouwen	920 mm			
Totaal gewicht	± 20 kg			
Gewicht zwaarste onderdeel	12 kg			
Massa van onderdelen die kunnen worden gedemonteerd of verwijderd	<b>Voetsteunen:</b> 1,90 kg; <b>Armsteunen:</b> 1,85 kg; <b>Achterwielen:</b> 4,15 kg			
Statische stabiliteit bergaf	15°			
Statische stabiliteit bergop	15°			
Statische stabiliteit zijwaarts	15°			
Maximum hoogte hindernis	60 mm			
Zithoek	5°			
Effectieve zitdiepte	430 mm			
Zithoogte aan voorzijde	500 mm			
Rughoek	5°			
Rughoogte	420 mm			
Afstand tussen zit en voetplaat	420 mm		520 mm	
Hoek tussen zit en voetplaat	9°			
Hoek tussen zit en been van de voetsteun	115°			
Afstand tussen armlegger en zit	230 mm			
Afstand voorzijde armsteun	220 mm			
Diameter aandrijfhoepel	535 mm			
Horizontale afstand van de as (uitwijking)	-3 mm			
Minimale draaicirkel	1680 mm			
Diameter PU achterwielen	24"			
Bandenspanning achter- (aandrijfwielen) (voor luchtbanden)	Max. 3,5 bar			
Diameter PU stuurwielen	200 mm			
Bandenspanning stuurwielen (voor luchtbanden)	Max. 2,5 bar			
Opslag en gebruikstemperatuur	+ 5 °C		+ 41 °C	
Opslag en gebruiksluchtvochtigheid	30%		70%	
<b>We behouden ons het recht voor om technische wijzigingen te introduceren. Meettolerantie ± 15 mm / 1,5 kg / °</b>				

Tabel 1: Technische specificaties 28

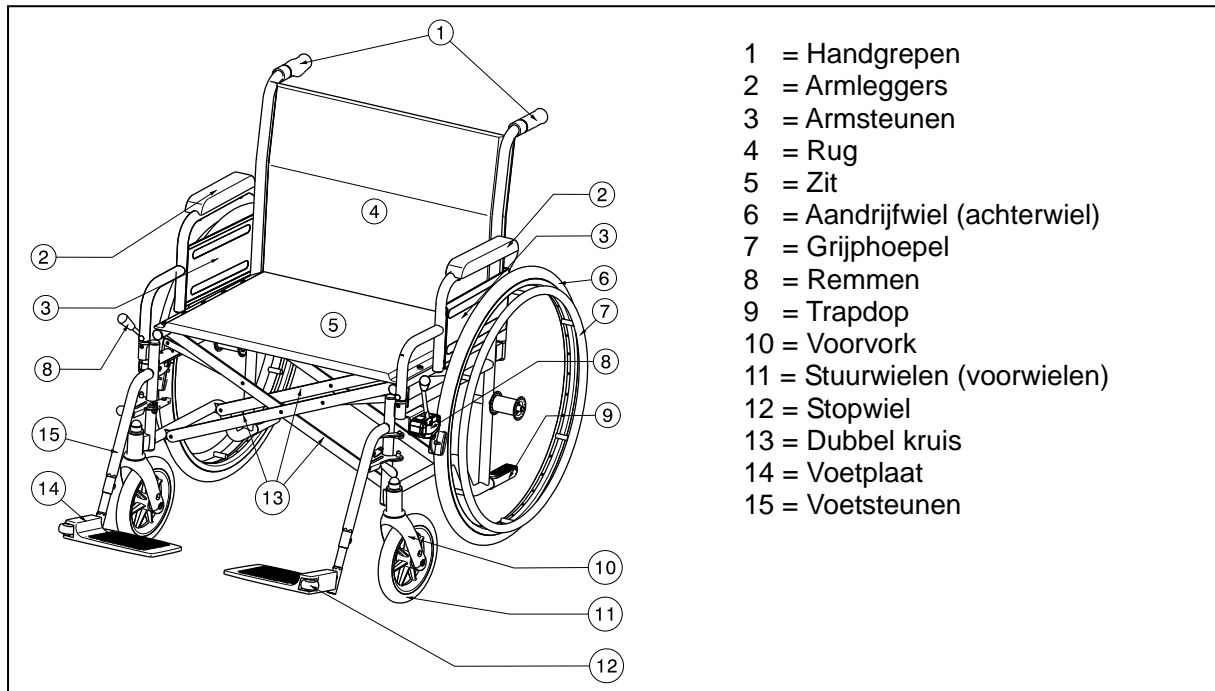
De rolstoel voldoet aan de eisen gesteld in:

ISO 7176-8: Eisen en beproevingsmethoden voor statische, bots en vermoeiingsproeven.

EN 1021-1: Beoordeling van de ontvlambaarheid van beklede meubelen - Smeulende sigaret als ontstekingsbron

EN 1021-2: Bepaling van de ontsteekbaarheid van beklede meubelen - Equivalent van de lucifervlam als ontstekingsbron

### 1.3 Onderdelen



### 1.4 Accessoires

Volgende accessoires zijn beschikbaar voor de 28:

- Armsteunen (B02, B05, B66, B66O)
- Voetsteunen, beensteunen (B07, B08, B09, B10, BZ7, BZ8, BZ9, BZ10, BK7, BL6, BL7, BA6, BK6)
- Tafel (B12)
- Krukkenhouder (B31)
- Serumhouder (B52)
- Rug (L14, L24)
- Anterior bekkengordel (B20, B58) om te bevestigen aan de buizen van de rug
- Anti-tipping (B78) om te bevestigen aan de onderkant van het rugframe
- Trommelrem voor begeleider (B74) om te bevestigen aan de handgrepen
- Duwwagen (T30)
- Asachteruitverplaatsing (AMP)
- Quickrelease-assen (B80)
- Reiswielen (B86)
- Hoofdsteun (B47, L55, L58)
- Duwbeugel (B90)
- Zijsteunen, pelotten (L04)

## 1.5 Verklaring van de symbolen



Maximum gewicht



Gebruik voor binnen en buiten



Maximale veilige helling



CE conformiteit



Type aanduiding



Niet bedoeld om te gebruiken als een zit in een voertuig

## 1.6 Voor Uw veiligheid

- ⚠ Let erop dat bij het gebruik van de aandrijfwielen geen voorwerpen en/of lichaamsdelen tussen de spaken terechtkomen. Dit kan immers letsel en/of schade aan de rolstoel veroorzaken.
- ⚠ Voor het in- en uitstappen in de rolstoel dient U de handremmen vast te zetten.
- ⚠ Gebruik de voetplaten nooit om in en uit de rolstoel te stappen. Deze dienen naar boven te worden geklapt of de volledige voetsteunen dienen naar buiten te zijn weggedraaid.
- ⚠ Onderzoek het effect van een veranderd zwaartepunt op het gedrag van de rolstoel (bijv. op hellingen, op zijdelingse hellingen of bij het overwinnen van hindernissen). Maak gebruik van de hulp van een begeleider.
- ⚠ Let op bij het nemen van voorwerpen (die zich voor, opzij of achter de rolstoel bevinden) dat U niet te ver uit de rolstoel leunt. Anders kan de rolstoel kantelen.
- ⚠ Bij het rijden door deuren, openingen e.d. moet aan de zijkant voldoende plaats zijn, anders bestaat er gevaar op letsel aan handen en armen en op beschadiging van de rolstoel.
- ⚠ Gebruik Uw rolstoel alleen voor de beschreven doeleinden. Vermijd bijv. om zonder remmen tegen een hindernis te rijden (stoeprand, stootsteen) of van treden te springen. De fabrikant is niet aansprakelijk voor schade als gevolg van overbelasting of botsingen bij het gebruik dat niet in overeenstemming is met het doel van het product.
- ⚠ Trappen mogen alleen met behulp van een begeleider worden genomen. Wanneer er bijv. hellingen of liften beschikbaar zijn, dient U deze te gebruiken.
- ⚠ Bij gebruik van de openbare weg dient U zich te houden aan de verkeersregels.
- ⚠ Net zoals voor andere voertuigen geldt dat U de rolstoel niet mag gebruiken onder invloed van alcohol of geneesmiddelen. Dit geldt ook voor verplaatsingen binnenshuis.
- ⚠ Pas Uw rijstijl bij ritten buiten de woning aan, aan het weer en het verkeer.
- ⚠ Bij het transporteren van de rolstoel mag U deze nooit vastnemen aan beweegbare onderdelen (armsteunen, voetsteunen, enz.).
- ⚠ Zorg ervoor dat U in het donker goed zichtbaar bent. Draag lichte kleding of kleding met reflectoren en zorg ervoor dat de reflectoren opzij en achteraan de rolstoel goed zichtbaar zijn.
- ⚠ Let erop dat de maximale belasting (zie tabel 1: Maximale massa gebruiker) niet wordt overschreden.

## 2 Gebruik

Dit hoofdstuk beschrijft het normaal gebruik. **Deze instructies zijn van toepassing voor de gebruiker en de vakhandelaar.**

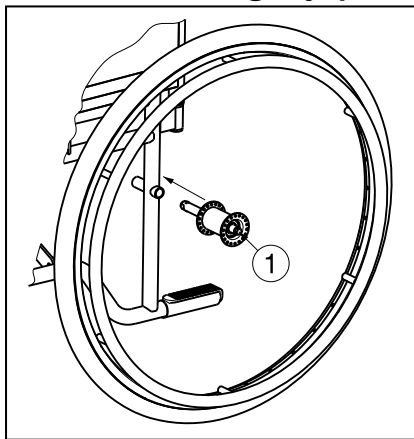
De rolstoel wordt gemonteerd en ingesteld door Uw vakhandelaar. De instructies voor de montage en afstelling van de rolstoel staan in § 3.

### 2.1 Dragen van de rolstoel

De beste manier om de rolstoel te dragen is om gebruik te maken van de wielen en zo de rolstoel verder te rollen.

Als dit niet mogelijk is (bv. wanneer de achterwielen verwijderd zijn voor het transporteren in de auto), grijp de rolstoel stevig vast aan de voorzijde van het frame en de handgrepen. Gebruik de voet-, armsteunen of de wielen niet om de rolstoel vast te nemen.

### 2.2 Plaatsen van de achterwielen (indien quickrelease assen aanwezig zijn)



1. Neem het achterwiel en druk naafknop ① in.
2. Houd de naafknop ingedrukt en plaats het achterwiel in de asbus tot deze niet meer verder kan.
3. Laat de naafknop los ①.
4. Kijk na of het wiel goed vastzit.

### 2.3 Ontvouwen van de rolstoel

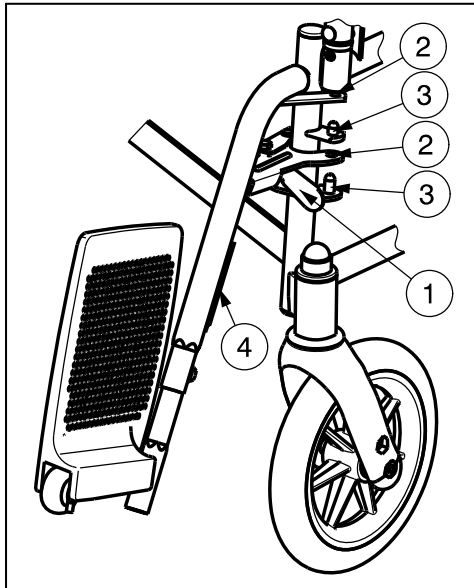
**⚠ VOORZICHTIG: Kans op klemmen - Houd Uw vingers weg van de bewegende onderdelen van de rolstoel.**

1. Ga aan de achterzijde van de rolstoel staan.
2. Gebruik de handgrepen om de rolstoel zo ver mogelijk te openen.
3. Ga aan de voorzijde van de rolstoel staan.
4. Duw beide buizen waaraan de zit bevestigd is verder naar beneden.

### 2.4 Plaatsen of verwijderen van de voetsteunen

**⚠ WAARSCHUWING: Gevaar voor letsel – Controleer dat de voetsteunen goed zijn vastgemaakt voor de rolstoel te gebruiken.**

**⚠ VOORZICHTIG: Kans op klemmen – Plaats geen voorwerpen of personen in het draaibereik van de voetsteunen.**



Het plaatsen van de voetsteunen gaat als volgt:

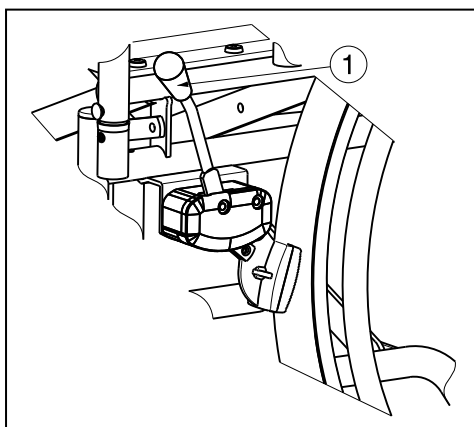
1. Houd de voetsteun zijdelings aan de buitenkant van het frame van de rolstoel.
2. Monteer de boringen ② van de voetsteun aan de pennen ③ van het frame.
3. Zwenk de voetsteun naar binnen tot deze vastklikt. Gaat het inklikken wat zwaar, druk dan de vergrendeling licht aan.
4. Draai de voetplaat naar beneden.
5. Plaats nu de kuitband terug in de haken ④.

Om de voetsteunen te verwijderen gaat U als volgt te werk:

1. Verwijder eerst de kuitband door hem aan beide kanten los te maken van de haken ④.
2. Druk de hendel ① naast de ophanging van de voetsteun naar achteren.
3. Draai de voetsteun naar de buitenkant van de rolstoel.
4. Trek de boringen ② van de voetsteun uit de pennen ③ van het frame.

## 2.5 Bedienen van de remmen

- ⚠ **WAARSCHUWING:** De remmen dienen niet om af te remmen tijdens het rijden - Gebruik de rem enkel om te vermijden dat de rolstoel in stilstaande positie wegrolt.
- ⚠ **WAARSCHUWING:** De werking van de handremmen worden beïnvloed door slijtage en vervuiling van de banden (water, olie, slijk, ...) – Controleer voor elk gebruik de staat van de banden.
- ⚠ **WAARSCHUWING:** De remmen zijn instelbaar en kunnen verouderen – Controleer voor elk gebruik de goede werking van de remmen.



Om de remmen in te schakelen:

1. Druk de hendels ① van de remmen naar voren tot U een duidelijke klik voelt.

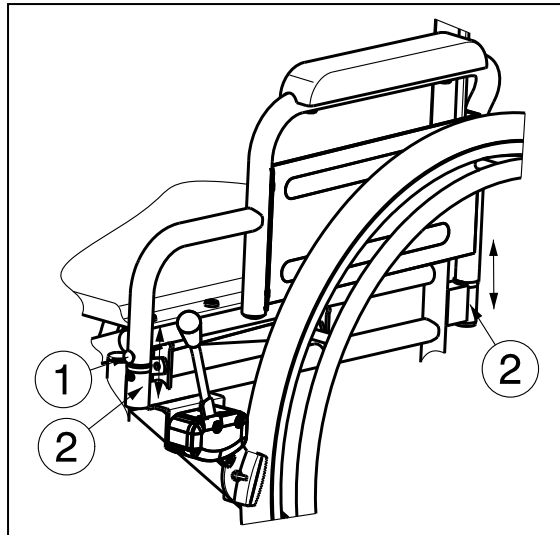
- ⚠ **VOORZICHTIG:** Gevaar op ongecontroleerde bewegingen - Zorg ervoor dat alvorens de remmen los te zetten, de rolstoel vlak staat. Los nooit beide remmen tegelijk.

Om de remmen uit te schakelen:

1. Zet eerst één rem los door de hendel ① naar achteren te trekken.
2. Houd het ongeremde wiel vast aan de grijphoepel (indien beschikbaar).
3. Los de andere rem door de hendel ① naar achteren te trekken.

## 2.6 Plaatsen of verwijderen van de armsteunen

- ⚠ **VOORZICHTIG:** Kans op klemmen - Houd Uw vingers, gespen en kledij uit de buurt van de onderzijde van de armsteun.
- ⚠ **VOORZICHTIG:** Gevaar voor letsel – Controleer dat de armsteunen goed zijn vastgemaakt voor de rolstoel te gebruiken.



De armsteunen van de rolstoel kunnen worden verwijderd met volgende instructies:

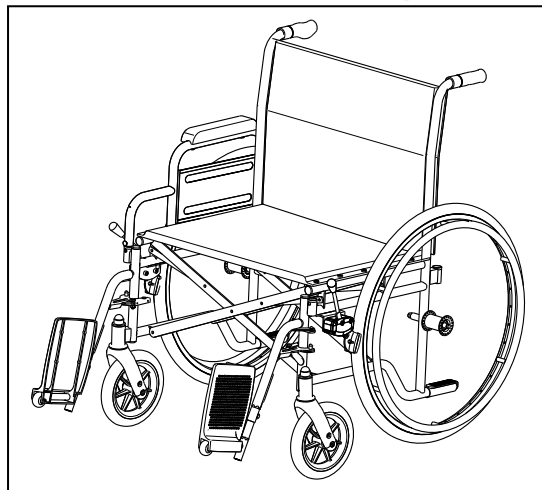
1. Druk op de drukknop ① die zich aan de voorzijde van de armsteun bevindt.
2. Til de armsteun uit de houders ② die bevestigd zijn op het zitframe.

De armsteunen van de rolstoel kunnen worden gemonteerd met volgende instructies:

1. Monteer de armsteun in de houders van het zitframe ②.
2. Duw op de armsteun tot dat de drukknop van de armsteun ① in de boring vastklikt.
3. Controleer dat de armsteun goed is vastgemaakt.

## 2.7 Transfer in en uit de rolstoel

- ⚠ **VOORZICHTIG:** Indien U de transfer niet veilig op eigen kracht kan uitvoeren, vraag dan hulp van iemand anders.
- ⚠ **VOORZICHTIG:** Kans op kantelen van de rolstoel - Niet op de voetplaten staan.



1. Plaats de rolstoel zo dicht mogelijk bij de stoel, zetel of bed van/naar waar U zich wilt verplaatsen.
2. Zorg dat beide remmen van de rolstoel aan staan.
3. Vouw de voetplaten naar boven zodat U er niet op gaat staan.
4. Indien U zich langs de zijkant in of uit de rolstoel wilt verplaatsen, kan U de armsteun aan die zijde verwijderen (zie § 2.6).
5. Verplaats U van of naar de rolstoel.

## 2.8 Correcte positie in de rolstoel

Enkele aanbevelingen om comfortabel van Uw rolstoel gebruik te maken:

- Plaats Uw zitvlak zo dicht mogelijk bij de rug.
- Zorg dat Uw bovenbenen horizontaal zijn – Stel eventueel de lengte van de voetplaten bij (zie § 3.6.1).



## 2.9 Rijden met de rolstoel

- ⚠ **WAARSCHUWING:** Kans op knellen – Houd Uw vingers niet tussen de spaken.
  - ⚠ **WAARSCHUWING:** Kans op knellen – Let op wanneer U door nauwe doorgangen, zoals deuren, rijdt.
  - ⚠ **WAARSCHUWING:** Gevaar voor brandwonden– Wees voorzichtig bij het rijden in extreem warme of koude omgevingen (zon, extreme koude, sauna's, enz.) voor een bepaalde tijd en bij het aanraken.
1. Zet de remmen los.
  2. Neem de aandrijfhoepels aan de bovenzijde vast.
  3. Leun voorwaarts en draai de hoepels naar voor tot Uw armen gestrekt zijn.
  4. Breng Uw handen terug naar de bovenzijde van de hoepels en herhaal de beweging.

## 2.10 Rijden op hellingen

- ⚠ **WAARSCHUWING:** Houd Uw snelheid onder controle – Neem hellingen steeds met de laagst mogelijke snelheid.
- ⚠ **WAARSCHUWING:** Houd rekening met de capaciteiten van Uw begeleider – Blokkeer de rem van zodra U merkt dat Uw begeleider onvoldoende kracht heeft om de rolstoel onder controle te houden.
- ⚠ **WAARSCHUWING:** Kans op kantelen – Leun voorover om Uw zwaartepunt naar voor te verplaatsen. Zo kan de stabiliteit beter behouden blijven.



1. Bevestig de veiligheidsgordel, als de rolstoel hiermee uitgerust is.
2. Neem geen te steile helling. De maximale hoek bergop en bergaf staan in tabel 1 vermeld.
3. Vraag een begeleider om U te helpen bij het nemen van de helling.
4. Buig lichtjes voorover om Uw zwaartepunt naar voren te verplaatsen.

## 2.11 Nemen van hindernissen (trottoirs)

### 2.11.1 Afrijden van trottoirs

Het afrijden van een laag trottoir kan voorwaarts gedaan worden. Let hierbij op dat de voetplaten de grond niet raken.



Het afrijden van lage trottoirs kan door een geoefend gebruiker zelf gedaan worden:

- ⚠ **WAARSCHUWING:** Kantelgevaar - Indien U Uw rolstoel onvoldoende beheerst, vraag hulp van een begeleider.
1. Breng de balans op de achterwielen om de druk op de voorwielen te verminderen.
  2. Neem de hindernis.

Hogere trottoirs kunnen met een begeleider voorwaarts genomen worden:

1. Laat de begeleider de rolstoel lichtjes naar achter kantelen.
2. Rijd op de achterwielen het trottoir af.
3. Zet de rolstoel terug op de vier wielen.



Een geoefend gebruiker kan een hoger trottoir zelf afrijden. Dit kan het best achterwaarts gedaan worden.

1. Draai de rolstoel met de achterwielen naar het trottoir toe.
2. Buig lichtjes voorover om Uw zwaartepunt naar voren te verplaatsen.
3. Breng de rolstoel naar de rand van de hindernis.
4. Gebruik de hoepels om Uw rolstoel gecontroleerd van het trottoir af te rollen.

## 2.11.2 Oprijden van trottoirs

Trottoirs oprijden kan met de begeleider als volgt:



1. Zorg ervoor dat de voetplaten het trottoir niet raken.
2. Laat de begeleider de rolstoel lichtjes achterover kantelen tot er voldoende ruimte onder de voorwielen is om de hindernis te nemen.
3. Leun een beetje achterover en breng het zwaartepunt boven de achterwielen.
4. Plaats de voorwielen op het trottoir.
5. Laat de rolstoel op de achterwielen over de hindernis duwen.

Een hoger trottoir kan best achterwaarts genomen worden:

1. Draai de rolstoel met de achterwielen naar het trottoir toe.
2. Leun een beetje achterover en breng het zwaartepunt boven de achterwielen.
3. Laat de begeleider de rolstoel op het trottoir trekken.
4. Neem Uw normale positie in de rolstoel terug aan.

Het oprijden van trottoirs kan door een geoefend gebruiker zelf gedaan worden:

**⚠ WAARSCHUWING: Kantelgevaar – Indien U Uw rolstoel onvoldoende beheerst, vraag hulp van een begeleider.**



1. Rijd tot aan het trottoir.
2. Zorg ervoor dat de voetplaten het trottoir niet raken.
3. Leun achterover zodat U op de achterwielen balanceert.



4. Rol al balancerend de voorwielen over het trottoir.
5. Leun voorover om meer stabiliteit te hebben.
6. Rol de achterwielen over de hindernis.

### 2.11.3 Nemen van trappen

Het nemen van trappen terwijl U in de rolstoel zit doet U als volgt.

**⚠ WAARSCHUWING: Kantelgevaar – Voor het nemen van trappen zijn altijd 2 begeleiders nodig.**

1. Verwijder de voetsteunen.
2. Laat één begeleider de rolstoel lichtjes naar achteren kantelen.
3. De andere begeleider neemt het frame aan de voorzijde vast.
4. Blijf rustig zitten, vermijd plotselinge bewegingen en houd Uw armen binnen de rolstoel.
5. Laat de rolstoel op de achterwielen de treden nemen.
6. Monteer de voetsteunen na de hindernis.

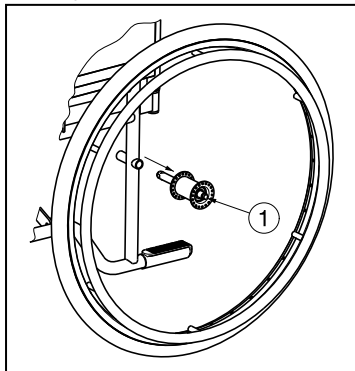
### 2.12 Opvouwen van de rolstoel

**⚠ VOORZICHTIG: Kans op klemmen - Houd Uw vingers niet tussen de onderdelen van de rolstoel.**

1. Klap de voetplaten omhoog, of verwijder ze (zie § 2.4).
2. Neem de zit aan de voor- en achterzijde vast en trek deze naar boven.

### 2.13 Verwijderen van de wielen (Indien quickrelease assen aanwezig zijn)

Om het transport van de rolstoel te vergemakkelijken, kunnen de achterwielen worden verwijderd:



1. Zorg ervoor dat de remmen afstaan.
2. Neem de rolstoel vast aan het frame aan de zijde waar U het wiel wil afnemen.
3. Druk op de knop ① in het midden van de naaf van het wiel.
4. Trek het wiel van het frame weg.

### 2.14 Transport in de auto

**⚠ GEVAAR: Gevaar voor letsel – De rolstoel is niet geschikt om te gebruiken als een zit in een motorvoertuig.**

**⚠ WAARSCHUWING: Gevaar voor letsel – Zorg ervoor dat de rolstoel voldoende vastgemaakt is, Om verwonding van de inzittenden tijdens aanrijding of plots remmen te voorkomen.**

**⚠ WAARSCHUWING: Gevaar voor letsel – Gebruik voor het vastmaken van de rolstoel en de passagiers NOOIT dezelfde gordel.**

Gebruik de rolstoel nooit als een zit in een auto of ander voertuig. De rolstoel wordt gemarkeerd met het volgende symbool:



Om de rolstoel in de auto te transporteren:

1. Verwijder de voetsteunen, armsteunen en accessoires.
2. Berg deze veilig op.
3. Indien mogelijk, vouw de rolstoel op en verwijder de wielen.
4. Plaats de rolstoel in de bagageruimte.
5. Indien de rolstoel en de passagiersruimte NIET gescheiden zijn, sjoer het frame van de rolstoel goed vast aan het voertuig. U kunt hiervoor gebruik maken van de veiligheidsgordels die in het voertuig voorhanden zijn.

### 3 Montage en afstelling

De in dit hoofdstuk beschreven instructies zijn bestemd voor de vakhandelaar.

De Vermeiren rolstoelen 28 zijn voor Uw volledige comfort ontworpen.

Om een servicepunt of vakhandelaar in Uw buurt te vinden, neemt U contact op met de dichtstbijzijnde Vermeiren faciliteit. Een lijst van de Vermeiren faciliteiten zijn terug te vinden op de laatste bladzijde.

- ⚠ **WAARSCHUWING: Risico bij onveilige instellingen - Gebruik enkel de instellingen beschreven in deze handleiding.**
- ⚠ **WAARSCHUWING: Variaties van de toelaatbare instellingen kunnen de stabiliteit van Uw rolstoel beïnvloeden (naar achteren of op zij kantelen).**

#### 3.1 Gereedschap

Om Uw rolstoel op te bouwen is het volgende gereedschap nodig:

- Steek-/ringsleutel set n° 10 tot n° 19
- Inbussleutel set n° 4 tot n° 5
- Kruiskopschroevendraaier

#### 3.2 Leveringsomvang

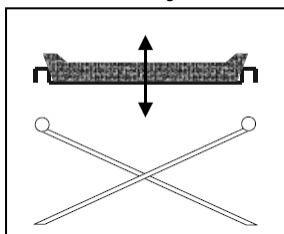
De Vermeiren 28 wordt geleverd met:

- 1 frame met armsteunen, achter- en voorwielen (zithoogte van 500 mm, zithoek van 5°)
- 1 paar voetsteunen
- Rug en zitkussen
- Gereedschap
- Handleiding
- Accessoires (optioneel)
- Pomp (enkel voor luchtbanden)

Controleer vóór gebruik of alles is meegeleverd en er geen producten zijn beschadigd (tijdens het transport bijvoorbeeld...).

#### 3.3 Anatomische zit (optioneel)

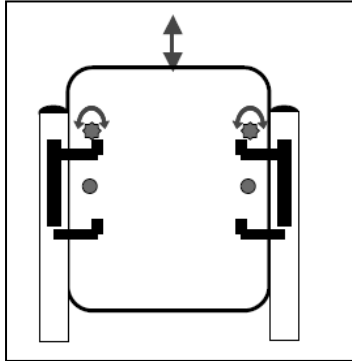
- ⚠ **WAARSCHUWING: Risico op letsel - Controleer dat de zit goed is vastgemaakt voor gebruik.**
- ⚠ **WAARSCHUWING: Gevaar voor letsel – Vermijd dat Uw vingers gekneld raken tijdens het monteren.**



Hebt U gekozen voor een anatomische zit, dan plaatst U deze op de uitgeklapte buisstructuur zodat de ophanging van de zit gelijkmatig op het frame vastklikt. In het houten onderstel vindt U uitsparingen waarin de dwarsbalken van het frame geplaatst kunnen worden. Om de rolstoel op te vouwen neemt U de zit langs boven weg.

### 3.4 Anatomische rug (optioneel)

- ⚠ **WAARSCHUWING:** Risico op letsel - Controleer dat de rug goed is vastgemaakt voor gebruik.
- ⚠ **WAARSCHUWING:** Gevaar voor letsel – Vermijd dat Uw vingers gekneld raken tijdens het monteren.



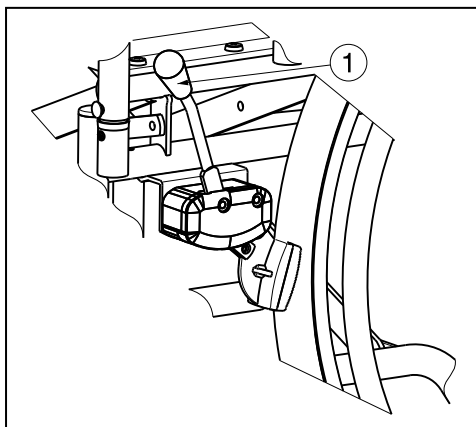
Als U een anatomische rug wilt gebruiken, dan gaat U als volgt te werk:

1. Schroef de flexibele rug los.
2. Schroef de rugbevestigingen losjes vast.
3. Plaats de rug van bovenaf in de haken.
4. Draai de schroeven van de rug haken vast.
5. Plaats en draai de veiligheidsschroeven van de rug vast.
6. Monteer de armsteunen.

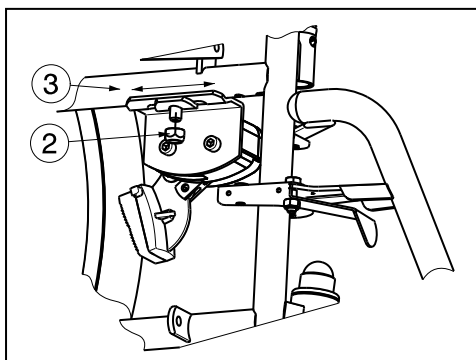
### 3.5 Afstellen van de remmen

- ⚠ **WAARSCHUWING:** Gevaar voor letsel – Laat de remmen afstellen door een erkend vakhandelaar.

Het afstellen van de remmen doet U als volgt:



1. Monteer de wielen zoals beschreven in § 2.2.
2. Zet de remmen los door hendel ① naar achteren te trekken.

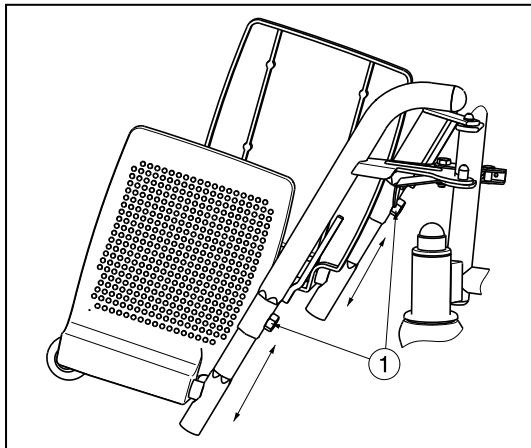


3. Maak de zelfborgende moer ② los zodat het remmechanisme over de buis van het frame ③ kan schuiven.
4. Schuif het remmechanisme over de buis ③ tot de gewenste positie (Het verstelbereik: 37 mm traploos, is mogelijk tussen de groef van de bevestigingsplaat van de rem).
5. Maak de zelfborgende moer ② terug vast.
6. Controleer de werking van de remmen.
7. Indien nodig herhaal voorgaande stappen tot de remmen goed afgesteld staan.

### 3.6 Instellen van de voetsteunen

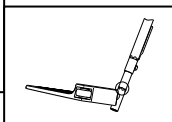
#### 3.6.1 Lengte van de voetsteunen

**⚠ VOORZICHTIG:** Zorg ervoor dat de voetsteunen niet over de grond slepen. Houd een minimum afstand van 60 mm tot de grond aan.



Stel de lengte van de voetsteunen (bereik van 100 mm: traploos) als volgt in:

1. Verwijder de inbusschroef ① aan de onderkant van het bovenste buisgedeelte van de voetsteun.
2. Stel de voetsteun op een comfortabele lengte in door de hexagonale buis uit en in te bewegen.
3. Draai de inbusschroef ① goed vast.



De minimum lengte is wanneer de buis van de voetplaat veranderd van hexagonaal naar rond.

De maximum lengte is aan het merkteken in de buis. (Dit merkteken is een rechte streep).

## 4 Onderhoud

Voor de onderhoudshandleiding van de manuele rolstoelen kan U de website van Vermeiren raadplegen: [www.vermeiren.be](http://www.vermeiren.be).

## 5 Clusteromschrijvingen

De 28 met 24 inch achterwielen voldoen voor:

	<p>Transport duw/hoepelen</p> <p><b>TH</b></p>	<p>Hoepelrolstoel bedoeld voor gebruik in en om huis en op straat. De rolstoel is uitgevoerd met duwhandvatten en kiepvoorziening voor het duwen. De voetsteunen zijn instelbaar. De voetplaat of -platen kunnen door de gebruiker worden weggeklapt voor een transfer. De rolstoel is opvouwbaar, zodat deze in de kofferbak van een auto of in een stationwagen kan worden meegenomen.</p>
--	--	--

## Inhalt

<b>Vorwort</b> .....	<b>2</b>
<b>1 Produktbeschreibung</b> .....	<b>3</b>
1.1 Verwendungszweck .....	3
1.2 Technische Daten .....	4
1.3 Bauteile.....	5
1.4 Zubehör .....	5
1.5 Zeichenerklärung.....	6
1.6 Für ihre sicherheit.....	6
<b>2 Verwendung</b> .....	<b>7</b>
2.1 Transportieren des Rollstuhls .....	7
2.2 Montage der Hinterräder (sofern Steckachsen vorhanden).....	7
2.3 Auseinanderklappen des Rollstuhls .....	7
2.4 An- oder Abbauen der Fußstützen.....	7
2.5 Betätigen der Bremsen .....	8
2.6 An- oder Abbauen der Armlehnen .....	9
2.7 Setzen in den Rollstuhl.....	9
2.8 Prüfen Sie, ob die Sitzposition korrekt ist.....	10
2.9 Fahren mit dem Rollstuhl .....	10
2.10 Bewegen an Steigungen .....	10
2.11 Überwinden von Stufen und Bordsteinen .....	10
2.12 Zusammenklappen des Rollstuhls.....	12
2.13 Abnehmen der Hinterräder (sofern Steckachsen vorhanden) .....	12
2.14 Transport in einem Kraftfahrzeug .....	12
<b>3 Zusammenbau und Einstellung</b> .....	<b>13</b>
3.1 Werkzeuge .....	13
3.2 Lieferumfang .....	13
3.3 Anatomischer Sitz (optional) .....	14
3.4 Anatomischer Rückenlehne (optional).....	14
3.5 Einstellen der Bremsen.....	14
3.6 Einstellen der Fußstützen .....	15
<b>4 Wartung</b> .....	<b>15</b>

## Vorwort

Zuerst möchten wir uns für das Vertrauen bedanken, das Sie in uns gesetzt haben, indem Sie sich für einen unserer Rollstühle entschieden haben.

Die Vermeiren-Rollstühle sind das Ergebnis langjähriger Forschung und Erfahrung. In der Entwicklungsphase wurde besonderer Wert auf Bedienerfreundlichkeit und leichte Wartung des Rollstuhls gelegt.

Die zu erwartende Lebensdauer Ihres Rollstuhls hängt stark von der Wartung und Pflege ab, die für den Rollstuhl aufgewendet wird.

Diese Bedienungsanleitung soll Ihnen helfen, sich mit der Benutzung Ihres Rollstuhls vertraut zu machen.

Das Befolgen der Bedienungsanleitung und der Wartungshinweises bildet einen wesentlichen Teil der Gewährleistungsbedingungen.

Diese Bedienungsanleitung spiegelt die neuesten Produktentwicklungen wider. Das Unternehmen Vermeiren behält sich jedoch das Recht vor, Änderungen vorzunehmen. Dabei besteht keine Verpflichtung, die früher ausgelieferten Modelle anzupassen oder zu ersetzen.

Sollten Sie weitere Fragen haben, so wenden Sie sich bitte an Ihren Fachhändler.



# 1 Produktbeschreibung

## 1.1 Verwendungszweck

Der Rollstuhl ist ausschließlich für den Transport von gehbehinderten oder gehunfähigen Menschen vorgesehen.

In dem Rollstuhl kann eine Person transportiert werden.

Der Rollstuhl kann sowohl im Innen- als auch im Außenbereich eingesetzt werden.

Der Rollstuhlfahrer kann den Rollstuhl entweder selbst antreiben oder von einer zweiten Person geschoben werden.

Die Vielfalt an Ausstattungs- und Zubehörvarianten sowie die modulare Bauweise erlauben den Transport eines Menschen bei Gehbehinderung/Gehunfähigkeit aufgrund von:

- Lähmungen
- Gliedmaßenverlust (Beinamputation)
- Gliedmaßendefekt oder -deformation
- Gelenkkontrakturen oder -schäden
- Herzkrankheiten oder schwachem Blutkreislauf
- Gleichgewichtsstörungen
- Kachexie (Muskelschwund)
- und für ältere Menschen.

Bei der individuellen Versorgung sind außerdem:

- Körpergröße und -gewicht (max. 110 kg oder 150 kg Rollstuhl mit anatomischer Kissens)
- Körperlicher und geistiger Zustand
- Wohnverhältnisse
- Umgebung

zu beachten.

Ihr Rollstuhl darf nur auf Flächen verwendet werden, auf denen alle vier Räder den Boden berühren und ausreichend Kontakt vorhanden ist, um die Räder gleichmäßig anzutreiben.

Die Verwendung des Elektrorollstuhl auf unebenen Flächen (Pflastersteinen usw.), Abhängen, Kurven sowie das Umfahren von Hindernissen (Bordsteinen usw.) muss geübt werden.

Der Rollstuhl darf nicht als Leiter oder als Transportmittel für schwere oder heiße Objekte verwendet werden.

Wird der Stuhl auf Matten, Auslegeware oder Teppichböden verwendet, könnten diese Bodenbeläge beschädigt werden.

Verwenden Sie ausschließlich von Vermeiren genehmigtes Zubehör.

Für Schäden durch nicht oder mangelhaft durchgeführte Wartung oder durch Nichtbeachtung der folgenden Anweisungen übernimmt der Hersteller keine Haftung.

Das Befolgen der Bedienungsanleitung und der Wartungshinweise bildet einen wesentlichen Teil der Garantiebedingungen.

## 1.2 Technische Daten

Die im Folgenden aufgeführten technischen Daten gelten für einen Rollstuhl in der Standardkonfiguration. Werden andere Fuß- und/oder Armlehnen oder anderes Zubehör verwendet, ändern sich die in der Tabelle aufgeführten Werte.

<b>Hersteller</b>	Vermeiren			
<b>Adresse</b>	Vermeirenplein 1/15, B-2920 Kalmthout			
<b>Typ</b>	Manueller Rollstuhl			
<b>Modell</b>	28			
<b>Max. zulässiges Gewicht des Rollstuhlfahrers</b>	110 kg 150 kg Rollstuhl mit anatomischer Kissen			
<b>Beschreibung</b>	<b>Abmessungen</b>			
Effektive Sitzbreite	390 mm	440 mm	500 mm	550 mm
Gesamtbreite (abhängig von der Sitzbreite)	560 mm	610 mm	670 mm	750 mm
Breite zusammengeklappt	290 mm	290 mm	310 mm	350 mm
<b>Beschreibung</b>	<b>Abmessungen Min.</b>		<b>Abmessungen Max.</b>	
Gesamtlänge mit Fußstütze	1110 mm			
Länge zusammengeklappt (ohne Fußstütze)	860 mm			
Höhe zusammengeklappt	920 mm			
Gesamtgewicht	± 20 kg			
Gewicht des schwersten Teils	12 kg			
Gewichte von Teilen, die demontierbar oder abnehmbar sind	<b>Fußplatten:</b> 1,90 kg; <b>Armstützen:</b> 1,85 kg; <b>Hinterräder:</b> 4,15 kg			
Statische Stabilität, bergab	15°			
Statische Stabilität, bergauf	15°			
Statische Stabilität, seitwärts	15°			
Überfahren von Hindernissen	60 mm			
Winkel der Sitzfläche	5°			
Effektive Sitztiefe	430 mm			
Höhe der Sitzoberfläche an der Vorderkante	500 mm			
Rückenlehnenwinkel	5°			
Rückenlehnenhöhe	420 mm			
Abstand zwischen Fußauflage und Sitz	420 mm		520 mm	
Winkel zwischen Sitz und Fußauflage	9°			
Winkel zwischen Sitz und Bein- oder Fußstütze	115°			
Abstand zwischen Armpolster und Sitz	230 mm			
Vordere Lage der Armauflage	220 mm			
Greifreifendurchmesser	535 mm			
Horizontale Lage der Achse (Deflektion)	-3 mm			
Kleinster Wenderadius	1680 mm			
Durchmesser der Krypton PU-Hinterräder	24"			
Reifendruck, Hinterräder (Antriebsräder) (bei Luftreifen)	max. 3,5 bar			
Durchmesser der Krypton PU-Lenkräder	200 mm			
Reifendruck, Lenkräder (Antriebsräder) (bei Luftreifen)	max. 2,5 bar			
Temperaturbereich für Lagerung und Nutzung	5 °C		+41 °C	

Luffeuchtigkeitsbereich für Lagerung und Nutzung	30%	70%
Technische Änderungen vorbehalten. Messtoleranzen $\pm 15 \text{ mm} / 1,5 \text{ kg} / ^\circ$		

*Tabelle 1: Technische Daten 28*

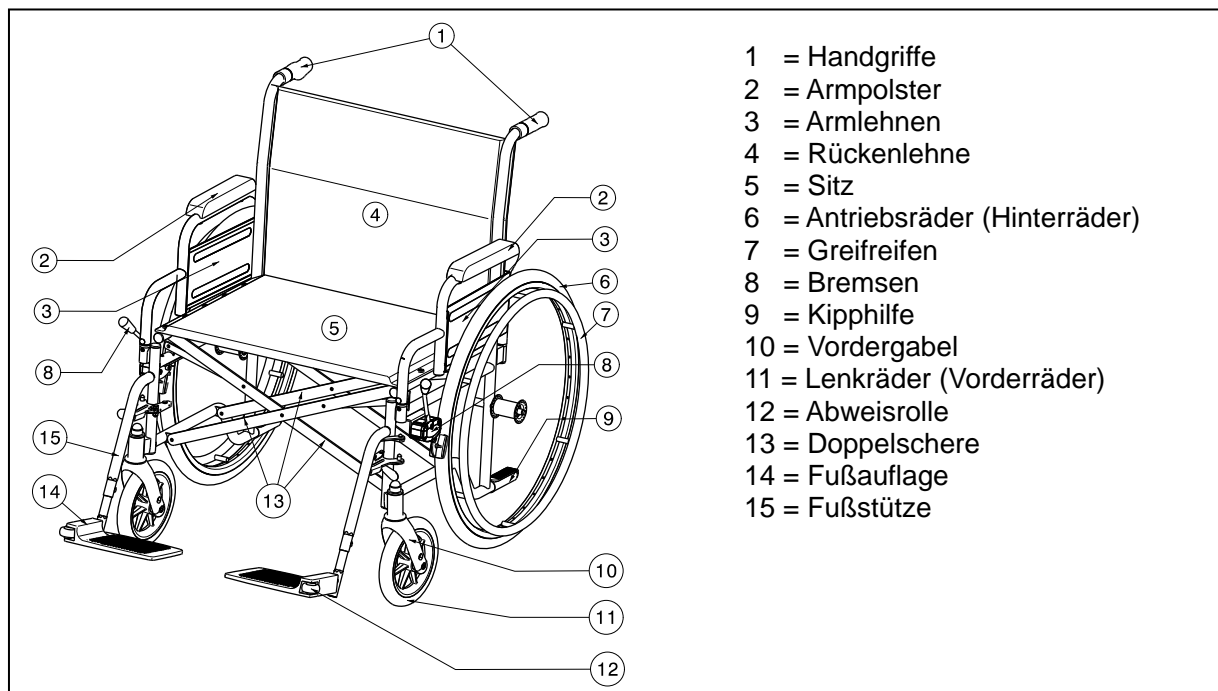
Der Rollstuhl entspricht den Anforderungen der folgenden Normen:

ISO 7176-8: Anforderungen und Prüfungen für statische Festigkeit, Stoßfestigkeit und Dauerfestigkeit.

EN 1021-1: Bewertung der Entzündbarkeit von Polstermöbeln - Zündquelle: Glimmende Zigarette

EN 1021-2: Bewertung der Entzündbarkeit von Polstermöbeln - Eine einem Streichholz vergleichbare Gasflamme als Zündquelle

### 1.3 Bauteile



### 1.4 Zubehör

Für den 28 ist das folgende Zubehör erhältlich:

- Armlehnen (B02, B05, B66, B66O)
- Fußstützen, Beinstützen (B07, B08, B09, B10, BZ7, BZ8, BZ9, BZ10, BK7, BL6, BL7, BA6, BK6)
- Tisch (B12)
- Gehstützenhalter (B31)
- Infusionshalter (B52)
- Rückenlehne (L14, L24)
- Vorderer Beckengurt (B20, B58) zur Befestigung über das Rückenlehnenrohr
- Kippschutz (B78) zur Befestigung am unteren Rückenlehnenrahmen
- Trommelbremse für die begleitperson (B74) zur Befestigung an den Schiebegriffen
- Transitrollstuhl (T30)
- Bewegen der Achse nach hinten (AMP)
- Steckachsen für ein fache und schnelle Entfernung der Räder (B80)
- Reiserollen (B86)

- Kopfstütze (B47, L55, L58)
- Schiebestange (B90)
- Seitenstützen / Pelotten (L04)

## 1.5 Zeichenerklärung



Max. Gewicht



Innen- und Außenbereich



Maximale, sichere Steigung



CE-Konformität



Typenbezeichnung



Nicht zur Verwendung als Sitz in einem Motorfahrzeug geeignet

## 1.6 Für ihre sicherheit

- ⚠ Achten Sie darauf, dass bei Nutzung der Antriebsräder keine Gegenstände und/oder Körperteile in die Speichen hineinragen, da sonst Verletzungen und/oder Beschädigungen an Ihrem Rollstuhl auftreten können.
- ⚠ Vor dem Ein-/Aussteigen in den/aus dem Rollstuhl sind die Feststellbremsen zu betätigen.
- ⚠ Steigen Sie beim Ein-/Aussteigen in den/aus dem Rollstuhl nicht auf die Fußauflagen. Diese sind vorher nach oben zu klappen oder die ganze Fußstütze nach außen abzuschwenken.
- ⚠ Erforschen Sie die Auswirkungen von Schwerpunktverlagerungen auf das Verhalten des Rollstuhles, zum Beispiel auf Gefällestrecken, Steigungen, seitlichen Neigungen oder beim Überwinden von Hindernissen. Nutzen Sie die Unterstützung durch eine Begleitperson.
- ⚠ Achten Sie beim Ergreifen von Gegenständen (die vor, seitlich oder hinter dem Rollstuhl liegen) darauf, dass Sie sich nicht zu weit aus dem Rollstuhl lehnen, da durch Schwerpunktverlagerung eine Kippgefahr besteht.
- ⚠ Bei Durchfahrten von Türen, Bögen usw. muss seitlich ausreichend Platz vorhanden sein, da sonst Quetschgefahr für Ihre Hände/Arme besteht und Schäden am Rollstuhl entstehen.
- ⚠ Setzen Sie Ihren Rollstuhl nur bestimmungsgemäß ein. Vermeiden Sie z.B. ein ungebremstes Fahren gegen ein Hindernis (Stufe, Bordsteinkante, Türzarge usw.) oder Herunterspringen von Absätzen. Für Schäden, die durch Kollision, Überlast oder andere, nicht bestimmungsgemäße Nutzung entstehen, haftet der Hersteller nicht.
- ⚠ Treppen dürfen nur mit Hilfe von Begleitpersonen überwunden werden. Sind dafür Einrichtungen, wie z.B. Auffahrrampen oder Aufzüge vorhanden, sind diese zu nutzen.
- ⚠ Sie unterliegen bei Fahrten im öffentlichen Straßenverkehr der Straßenverkehrsordnung.
- ⚠ Wie auch beim Führen anderer Fahrzeuge sollten Sie mit Ihrem Rollstuhl nicht unter Alkoholeinfluss oder Medikamenteneinwirkung stehen. Dies gilt auch für Fahrten in Innenräumen.
- ⚠ Stellen Sie Ihr Fahrverhalten bei Fahrten außerhalb der Wohnung auf die gegebenen Witterungs- und Straßenverhältnisse ein.

- ⚠️ Zum Transport des Rollstuhles diesen nie an beweglichen Teilen (Armlehnen, Fußstützen etc.) fassen, sondern nur an festen Rahmenteilen.
- ⚠️ Tragen Sie zum "Besser-Gesehen-Werden" im Dunkeln möglichst helle Kleidung oder Kleidung mit Reflektoren und achten Sie darauf, dass die seitlich und rückwärtig am Rollstuhl angebrachten Reflektoren gut sichtbar sind.
- ⚠️ Achten Sie darauf, dass die maximale Belastung (siehe Tabelle 1: Max. zulässiges Gewicht des Rollstuhlfahrers) nicht überschritten wird.

## 2 Verwendung

In diesem Kapitel wird die tägliche Verwendung beschrieben. **Diese Anweisungen richten sich an den Benutzer und den Fachhändler.**

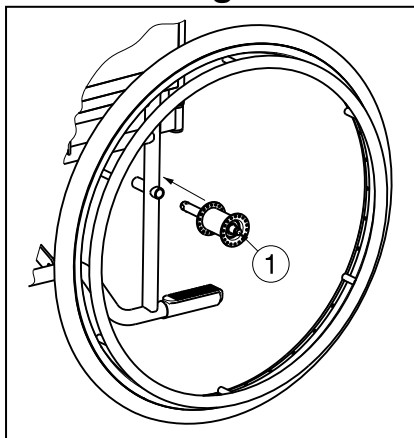
Der Rollstuhl wird Ihnen vollständig aufgebaut von Ihrem Fachhändler geliefert. Anweisungen für den Fachhändler, wie der Rollstuhl zusammengebaut und eingerichtet wird, befinden sich in § 3.

### 2.1 Transportieren des Rollstuhls

Am besten lässt sich der Rollstuhl transportieren, indem die Räder verwendet und der Rollstuhl geschoben wird.

Sollte dies nicht möglich sein (beispielsweise wenn die Hinterräder für den Transport in einem Auto abgenommen wurden), greifen Sie den Rahmen fest an der Vorderseite und an den Griffen. Greifen Sie den Rollstuhl nicht an den Fußstützen, Armlehnen oder den Rädern.

### 2.2 Montage der Hinterräder (sofern Steckachsen vorhanden)



1. Nehmen Sie das Hinterrad in die Hand und drücken Sie auf den Arretierstift ①.
2. Halten Sie den Arretierstift gedrückt und schieben Sie das Hinterrad bis zum Anschlag auf die Achse.
3. Lassen Sie den Arretierstift ① los.
4. Prüfen Sie, ob die Räder sicher auf der Achse sitzen.

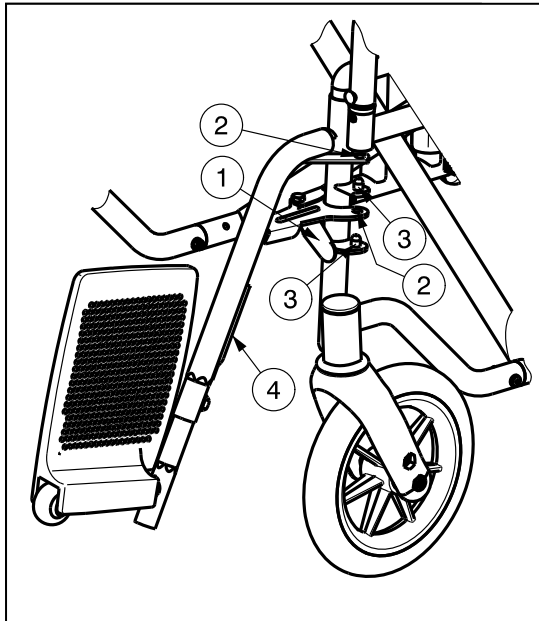
### 2.3 Auseinanderklappen des Rollstuhls

⚠️ **VORSICHT: Klemmgefahr! Halten Sie Ihre Finger fern von sich bewegenden Teilen des Rollstuhls.**

1. Stellen Sie sich auf die Rückseite des Rollstuhls.
2. Nutzen Sie die Schiebegriffe, um den Rollstuhl so weit wie möglich zu öffnen.
3. Stellen Sie sich auf die Vorderseite des Rollstuhls.
4. Drücken Sie die beiden Holme, an denen der Sitz befestigt ist, weiter nach unten.

### 2.4 An- oder Abbauen der Fußstützen

- ⚠️ **WARNUNG: Verletzungsgefahr – Achten Sie darauf, dass die Fußstützen vor Gebrauch des Rollstuhls fest arretiert sind.**
- ⚠️ **VORSICHT: Quetschgefahr – Halten Sie Objekte und Personen vom Schwenkbereich der Fußstützen fern.**



Die Fußstütze wird wie folgt montiert:

1. Halten Sie die Fußstütze seitlich an die Außenseite des Rollstuhlrahmens.
2. Montieren Sie die Bohrungen ② der Fußstütze an den Stiften ③ am Rahmen.
3. Schwenken Sie die Fußplatte nach innen, bis sie in der Endposition einrastet. Wenn diese Verriegelung etwas zu fest erscheint, drücken Sie den Griff ① vorsichtig zurück.
4. Schwenken Sie die Fußplatte nach unten.
5. Hängen Sie den Lederstreifen in die Haken ④ ein.

So bauen Sie die Fußstützen ab:

1. Nehmen Sie den Lederstreifen an beiden Seiten aus den Haken ④.
2. Ziehen Sie den Hebel ① an der Fußstützenbefestigung nach hinten.
3. Schwenken Sie die Fußstütze zur Außenseite des Rollstuhls.
4. Heben Sie die Bohrungen ② der Fußstütze aus den Stiften ③ am Rahmen.

## 2.5 Betätigen der Bremsen

- ⚠ **WARNUNG:** Die Bremsen dienen nicht dazu, die Bewegung des Rollstuhls abzubremesen – sie dienen ausschließlich dazu, unbeabsichtigte Bewegungen des Rollstuhls zu verhindern.
- ⚠ **WARNUNG:** Die ordnungsgemäße Funktion der Bremsen kann durch Verschleiß oder Schmutz (auch Wasser, Öl, Schlamm usw.) beeinträchtigt werden. Überprüfen Sie daher vor jeder Rollstuhlnutzung den Zustand der Reifen.
- ⚠ **WARNUNG:** Die Bremsen sind einstellbar und können verschleifen. Überprüfen Sie daher vor jeder Rollstuhlnutzung den Zustand der Bremsen.

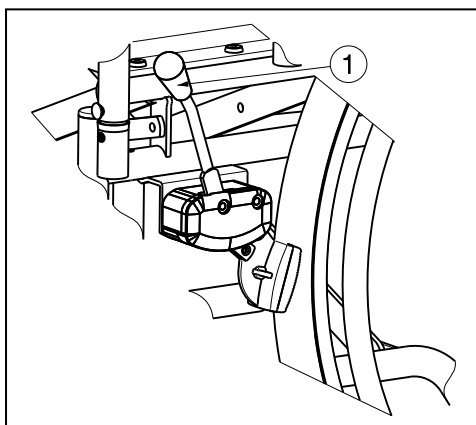
So betätigen Sie die Bremsen:

1. Drücken Sie die Bremshebel ① nach vorn, bis sie ein deutliches Klicken fühlen.

- ⚠ **VORSICHT:** Gefahr einer unbeabsichtigten Bewegung. Achten Sie darauf, dass der Rollstuhl auf einer flachen, horizontalen Fläche steht, bevor Sie die Bremsen lösen. Lösen Sie niemals beide Bremsen gleichzeitig.

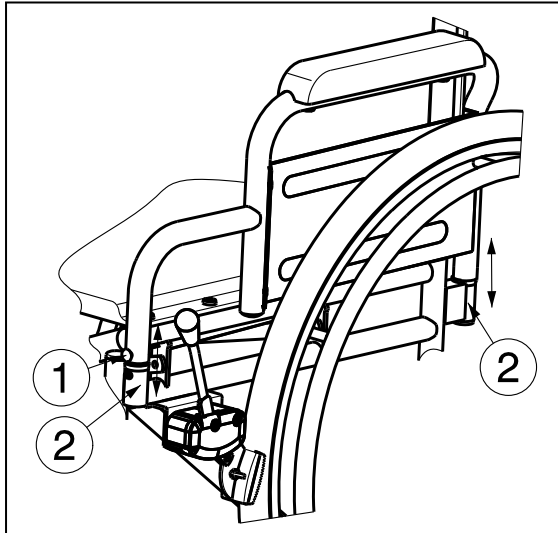
So lösen Sie die Bremsen:

1. Lösen Sie eine Bremse, indem Sie den Griff ① nach hinten ziehen.
2. Fassen Sie den Greifreifen des Rads mit der gelösten Bremse mit Ihrer Hand.
3. Lösen Sie die zweite Bremse, indem Sie den Griff ① nach hinten ziehen.



## 2.6 An- oder Abbauen der Armlehnen

- ⚠ **VORSICHT:** Klemmgefahr – Halten Sie Ihre Finger, Schnallen oder Kleidungsstücke fern von der Unterseite der Armlehnen.
- ⚠ **VORSICHT:** Klemmgefahr – Stellen Sie vor dem Gebrauch des Rollstuhls sicher, dass die Armauflagenträger fest sitzt.



Die Armlehnen des Rollstuhls können wie folgt abgebaut werden.

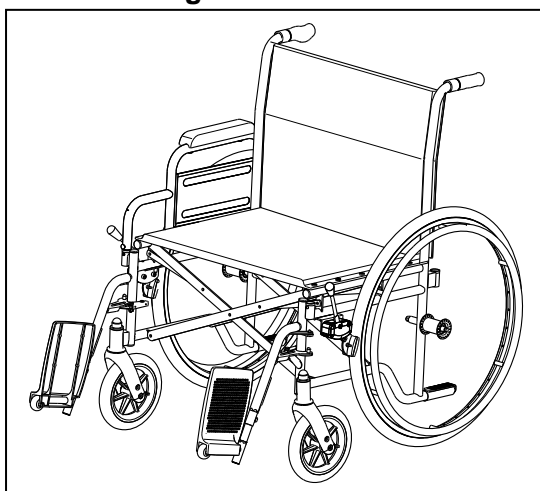
1. Drücken Sie den Knopf ① der sich an der Vorderseite der Armlehne befindet.
2. Ziehen Sie die Armlehne aus den Rohraufnahmen, die sich am Sitzrahmen befinden.

Die Armlehnen des Rollstuhls können weggeklappt oder abgebaut werden.

1. Setzen Sie die Armlehne in die Rohraufnahmen, die sich am Sitzrahmen ② befinden.
2. Drücken Sie die Armlehne in die Rohraufnahmen, bis der Verriegelungsknopf ① sichtbar und hörbar einrastet.
3. Prüfen Sie, ob die Armlehne fest sitzt.

## 2.7 Setzen in den Rollstuhl

- ⚠ **VORSICHT:** Falls Sie sich nicht allein sicher in den Rollstuhl oder aus diesem heraus umsetzen können, bitten Sie jemanden um Hilfe.
- ⚠ **VORSICHT:** Kippgefahr des Rollstuhls – Stellen Sie sich nicht auf die Fußauflagen.



1. Positionieren Sie den Rollstuhl so nah wie möglich an den Stuhl, die Couch oder das Bett, zu dem bzw. von dem das Umsetzen vorgenommen werden soll.
2. Achten Sie darauf, dass beide Bremsen des Rollstuhls betätigt sind.
3. Klappen Sie die Fußauflagen nach oben, damit Sie sich nicht versehentlich darauf stellen.
4. Wenn Sie sich von der Seite in den Rollstuhl setzen, klappen Sie die Armlehnen an der entsprechenden Seite nach oben (Siehe § 2.6).
5. Setzen Sie sich in den Rollstuhl.

## 2.8 Prüfen Sie, ob die Sitzposition korrekt ist

Einige Empfehlungen für die komfortable Verwendung des Rollstuhls:

- Setzen Sie sich möglichst weit nach hinten, so dass der Rücken an der Rückenlehne anliegt.
- Achten Sie darauf, dass Ihre Oberschenkel möglichst horizontal stehen. Gegebenenfalls müssen Sie die Länge der Fußauflagen einstellen. (siehe § 3.6.1).

## 2.9 Fahren mit dem Rollstuhl

**⚠ WARNUNG: Klemmgefahr – Halten Sie Ihre Finger von den Radspeichen fern.**

**⚠ WARNUNG: Klemmgefahr: Seien Sie in engen Durchfahren (z. B. Türen) vorsichtig.**

**⚠ WARNUNG: Verletzungsgefahr – Achten Sie darauf, dass Sie das Gerät keinen extremen Temperaturen aussetzen (Sonnenschein, extreme Kälte, Sauna etc.), da sich die verwendeten Materialien den Umgebungstemperaturen angleichen, was bei Berührung zu Verletzungen führen kann - Umgebungstemperaturen können Oberflächen verändern.**

1. Lösen Sie die Bremsen.
2. Legen Sie beide Hände an die oberste Position des Greifreifens.
3. Lehnen Sie sich nach vorn und drücken Sie die Greifreifen nach vorn, bis beide Arme gerade sind.
4. Schwingen Sie Ihre Arme lose zurück an die Oberkante der Greifreifen und wiederholen Sie die Bewegung.

## 2.10 Bewegen an Steigungen

**⚠ WARNUNG: Kontrollieren Sie Ihre Geschwindigkeit – Bewegen Sie sich an Steigungen so langsam wie möglich.**

**⚠ WARNUNG: Berücksichtigen Sie die Kräfte Ihres Helfers – Wenn Ihr Helfer nicht stark genug ist, den Rollstuhl zu kontrollieren, betätigen Sie die Bremsen.**

**⚠ WARNUNG: Kippgefahr – Lehnen Sie sich nach vorn, um Ihren Schwerpunkt nach vorne zu verlagern. So sorgen Sie für bessere Stabilität.**



1. Falls Ihr Rollstuhl mit einem Sicherheitsgurt ausgestattet ist, sollten Sie ihn stets anlegen.
2. Versuchen Sie nicht, zu steile Steigungen hinauf zu fahren. Die maximalen Steigungswinkel (bergauf und bergab) sind Tabelle 1 zu entnehmen.
3. Bitten Sie einen Helfer, Sie beim Hinauffahren der Steigung zu unterstützen.
4. Lehnen Sie sich nach vorn, um Ihren Schwerpunkt nach vorne zu verlagern.

## 2.11 Überwinden von Stufen und Bordsteinen

### 2.11.1 Hinunterfahren von Stufen und Bordsteinen

Stufen und Bordsteine können vorwärts überwunden werden. Achten Sie darauf, dass die Fußauflagen den Boden nicht berühren.





Ein geübter Fahrer kann Stufen und Bordsteine problemlos allein hinunterfahren:

**⚠️ WARNUNG: Kippgefahr – Falls Sie noch unerfahren im Umgang mit dem Rollstuhl sind, lassen Sie sich helfen.**

1. Verlagern Sie das Gewicht auf die Hinterräder, um die Vorderräder zu entlasten.
2. Fahren Sie den Bordstein hinunter.

Auch höhere Bordsteine können mit einem Helfer vorwärts überwunden werden:

1. Bitten Sie den Helfer, den Rollstuhl etwas nach hinten zu kippen.
2. Fahren Sie den Bordstein hinunter, während Sie die Hinterräder bewegen.
3. Setzen Sie den Rollstuhl wieder auf alle vier Räder.



Ein erfahrener Fahrer kann auch höhere Bordsteine alleine überwinden. Die erfolgt dann am besten rückwärts.

1. Drehen Sie den Rollstuhl so, dass die Hinterräder zum Bordsteine weisen.
2. Lehnen Sie sich nach vorn, um Ihren Schwerpunkt nach vorne zu verlagern.
3. Bewegen Sie den Rollstuhl so nach wie möglich an den Bordstein.
4. Drücken Sie vorsichtig am Greifreifen, um den Rollstuhl langsam den Kantstein hinunterfahren zu lassen.

## 2.11.2 Hinauffahren von Stufen und Bordsteinen

So überwinden Sie Stufen oder Bordsteine mit einem Helfer:



1. Achten Sie darauf, dass die Fußauflagen den Bordstein nicht berühren.
2. Bitten Sie den Helfer, den Rollstuhl gerade so weit nach hinten zu kippen, das die Vorderräder über dem Bordstein stehen.
3. Lehnen Sie sich nach hinten, um Ihren Schwerpunkt nach hinten über die Hinterräder zu verlagern.
4. Setzen Sie die Vorderräder auf den Bordstein.
5. Rollen Sie die Hinterräder des Rollstuhls über den Bordstein.

Höhere Bordsteine können Sie rückwärts überwinden:

1. Drehen Sie den Rollstuhl so, dass die Hinterräder zum Bordsteine weisen.
2. Lehnen Sie sich nach hinten, und bringen Sie den Schwerpunkt über die Hinterräder.
3. Bitten Sie die Begleitperson, den Rollstuhl über den Bordstein zu ziehen.
4. Nehmen Sie wieder die normale Position auf dem Rollstuhl ein.

Ein erfahrener Fahrer kann auch Bordsteine alleine überwinden:

**⚠️ WARNUNG: Kippgefahr – Wenn Sie noch unerfahren in der Handhabung eines Rollstuhls sind, lassen Sie sich von einer zweiten Person helfen.**



1. Fahren Sie bis an den Bordstein heran.
2. Achten Sie darauf, dass die Fußauflagen den Bordstein nicht berühren.
3. Lehnen Sie sich nach hinten, um den Schwerpunkt auf die Hinterräder zu verlagern.



4. Rollen Sie die Vorderräder vorsichtig über den Bordstein.
5. Lehnen Sie sich nach vorn, um mehr Stabilität zu erhalten.
6. Rollen Sie die Hinterräder über den Bordstein.

### 2.11.3 Überwinden von Treppen

Auch eine Treppe kann mit einem Rollstuhl überwunden werden, wenn die folgenden Regeln beachtet werden:

**⚠️ WARNUNG: Kippgefahr – Treppen sollten immer mit zwei Helfern überwunden werden.**

1. Bauern Sie die Fußstützen ab.
2. Ein Helfer kippt den Rollstuhl etwas nach hinten.
3. Der zweite Helfer fasst den Rollstuhl am vorderen Rahmen.
4. Bleiben Sie ruhig, vermeiden Sie plötzliche Bewegungen, und halten Sie die Arme am Körper.
5. Überwinden Sie die Stufen mit den Hinterräder des Rollstuhls.
6. Bauen Sie die Fußstützen nach dem Überwinden der Treppe wieder am Rollstuhl an.

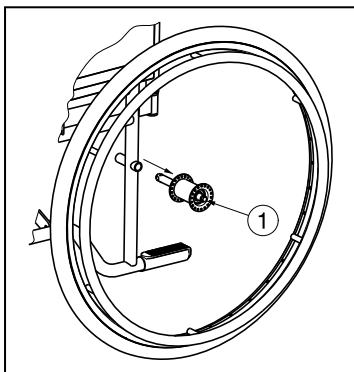
### 2.12 Zusammenklappen des Rollstuhls

**⚠️ VORSICHT: Klemmgefahr! Achten Sie darauf, dass Ihre Finger nicht zwischen die Rollstuhlkomponenten gelangen.**

1. Klappen Sie die Fußstützen ein oder bauen Sie sie ab (siehe § 2.4).
2. Fassen Sie den Sitz an der Vorder- und Hinterseite an, und ziehen Sie ihn nach oben.

### 2.13 Abnehmen der Hinterräder (sofern Steckachsen vorhanden)

Für eine einfacheren Transport des Rollstuhls können die Hinterräder abgenommen werden:



1. Stellen Sie sicher, dass die Bremsen gelöst sind.
2. Drehen Sie die Seite des Rollstuhls zu sich, an der Sie das Rad abnehmen möchten.
3. Drücken Sie den Arretierstift ① in der Mitte der Radnabe.
4. Ziehen Sie das Rad vom Rahmen ab.

### 2.14 Transport in einem Kraftfahrzeug

**⚠️ GEFAHR: Verletzungsgefahr - Der Rollstuhl darf nicht als Sitz in einem Kraftfahrzeug genutzt werden.**

**⚠️ WARNUNG: Verletzungsgefahr – Achten Sie darauf, den Rollstuhl ordnungsgemäß zu befestigen. So vermeiden Sie Verletzungen der Fahrzeuginsassen bei einer Kollision oder einem plötzlichen Bremsmanöver.**

**⚠️ WARNUNG: Verletzungsgefahr – Verwenden Sie zum Sichern des Rollstuhls und des Fahrzeuginsassens NIEMALS den gleichen Sicherheitsgurt.**

Der Rollstuhl darf nicht als Sitzplatz in einem PKW oder anderen Fahrzeug verwendet werden. Der Rollstuhl ist mit dem folgenden Symbol zu kennzeichnen.



Gehen Sie folgendermaßen vor, um den Rollstuhl im Auto zu transportieren:

1. Bauen Sie die Fußstützen, Armlehnen und evtl. vorhandenes Zubehör ab.
2. Bewahren Sie die Fußstützen, Armlehnen und das Zubehör an einem sicheren Ort auf.
3. Wenn möglich, klappen Sie den Rollstuhl zusammen und bauen Sie die Hinterräder ab.
4. Transportieren Sie den Rollstuhl nach Möglichkeit im Kofferraum oder Gepäckraum.
5. Wenn der Gepäckraum und der Fahrgastraum NICHT voneinander getrennt sind, befestigen Sie den Rahmen des Rollstuhls sicher am Fahrzeug. Sie können hierzu verfügbare Sicherheitsgurte im Fahrzeug verwenden.

### 3 Zusammenbau und Einstellung

**Die Anweisungen in diesem Kapitel richten sich an den Fachhändler.**

Die Vermeiren-Rollstühle 28 wurden unter besonderer Berücksichtigung von hohem Komfort für den Benutzer konzipiert.

Um einen Fachhändler in Ihrer Nähe zu finden, stehen Ihnen unsere Niederlassungen gerne zur Verfügung. Eine Auflistung aller Vermeiren Niederlassungen finden Sie auf der letzten Seite dieser Gebrauchsanweisung.

**⚠️ WARNUNG: Nutzen Sie das Produkt nur gemäß den technischen Vor- und Angaben dieser Gebrauchsanweisung.**

**⚠️ WARNUNG: Änderungen an den zulässigen Einstellungen können die Stabilität des Rollstuhls verändern (Kippen nach hinten oder zur Seite).**

#### 3.1 Werkzeuge

Für die Montage des Rollstuhl und für Einstellungen werden die folgenden Werkzeuge benötigt:

- Schraubenschlüsselsatz Größe 10 bis 19
- Inbusschlüsselsatz Größe 4 bis 5
- Kreuzschlitzschraubendreher

#### 3.2 Lieferumfang

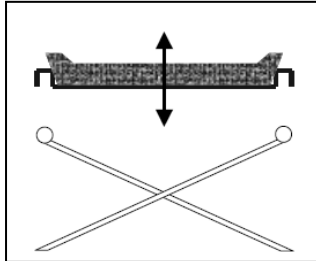
Der Lieferumfang des Vermeiren-Modells 28 umfasst:

- 1 Rahmen mit Armlehnen, Hinter- und Vorderrädern (Sitzhöhe von 500 mm, Sitzwinkel von 5°)
- 1 Paar Fußstützen
- Rücken- und Sitzkissen
- Werkzeuge
- Handbuch
- Zubehör (optional)
- Pumpe (nur bei Luftreifen)

Prüfen Sie vor der Verwendung, ob alle aufgeführten Artikel in der Lieferung enthalten und nicht beschädigt sind (beispielsweise durch den Transport).

### 3.3 Anatomischer Sitz (optional)

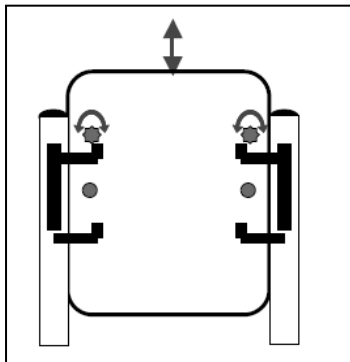
- ⚠ **WARNUNG:** Verletzungsgefahr – Prüfen Sie vor der Verwendung, ob der Sitz befestigt ist.
- ⚠ **WARNUNG:** Verletzungsgefahr – Achten sie bei den Montage auf Quetschstellen.



Sollten Sie sich für einen festen gepolsterten Sitz entschieden haben, legen Sie diesen so auf die ausgefaltete Rohrschere auf, dass die Aufhängungen des Sitzes gleichmäßig auf der Schere einrasten. Im Holzboden finden Sie Aussparungen, die in die Querstreben der Schere eingelegt werden. Zum Falten des Rollstuhles entfernen Sie den Sitz, indem Sie ihn nach oben herausnehmen.

### 3.4 Anatomischer Rückenlehne (optional)

- ⚠ **WARNUNG:** Verletzungsgefahr – Vor dem Gebrauch den sicheren Halt des Rückens prüfen.
- ⚠ **WARNUNG:** Verletzungsgefahr – Achten sie bei den Montage auf Quetschstellen.



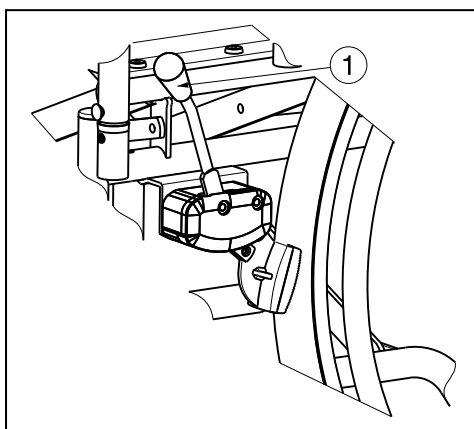
Bei Verwendung von festen Rücken, verfahren Sie wie folgt:

1. Flexiblen Rücken abschrauben.
2. Rückenhalterungen lose anschrauben.
3. Rücken von oben in die Halterungen setzen.
4. Schrauben der Rückenhalterungen anziehen.
5. Sicherungsschrauben des Rückens festdrehen.
6. Montieren Sie die Armlehnen.

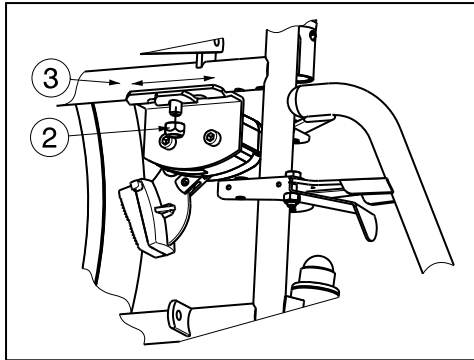
### 3.5 Einstellen der Bremsen

- ⚠ **WARNUNG:** Verletzungsgefahr – Bremsen dürfen nur vom Fachhändler eingestellt werden.

So stellen Sie die Bremsen ein:



1. Bauen Sie die Räder gemäß den Anweisungen in § 2.2 an.
2. Lösen Sie die Bremsen, indem Sie den Hebel ① nach hinten ziehen.

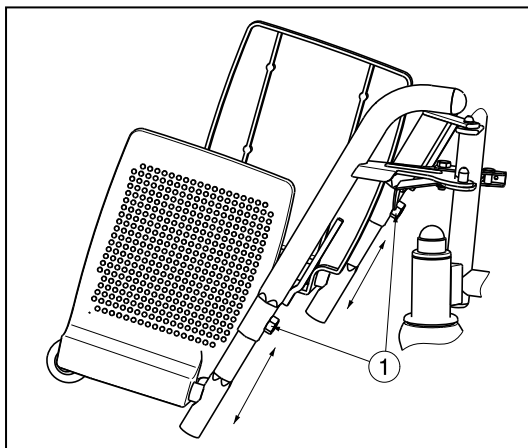


3. Lösen Sie die selbstsichernde Mutter ②, so dass der Bremsmechanismus über das Rahmenrohr ③ geschoben werden kann.
4. Ziehen Sie den Bremsmechanismus über das Rohr ③ in die gewünschte Position. (Der Einstellungsbereich: 37 mm stufenlos, liegt zwischen den Nuten auf der Bremsmontageplatte.)
5. Ziehen Sie die selbstsichernde Mutter ② wieder fest.
6. Prüfen Sie die ordnungsgemäße Funktion der Bremsen.
7. Wiederholen Sie ggf. die oben beschriebenen Schritte, bis die Bremsen ordnungsgemäß justiert sind.

### 3.6 Einstellen der Fußstützen

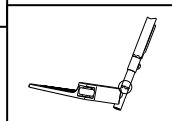
#### 3.6.1 Länge der Fußstützen

**⚠ VORSICHT: Risiko der Beschädigung – Achten Sie darauf, dass die Fußauflagen den Boden nicht berührt. Achten Sie auf einen Abstand von mindestens 60 mm zwischen der Fußstütze und dem Boden.**



So stellen Sie die Länge der Fußstütze ein (100 mm-Bereich: stufenlos):

1. Drehen Sie die Inbusschraube ① am unteren Ende des oberen Teils der Fußstütze heraus.
2. Stellen Sie die Länge der Fußstütze auf eine angenehme Länge ein, indem Sie das sechseckige Innenrohr weiter einschieben oder herausziehen.
3. Ziehen Sie die Inbusschraube ① wieder fest.



Die minimale Länge befindet sich an der Stelle, an der der sechseckige Bereich des Fußauflagenrohr in den runden Bereich übergeht.

Die maximale Länge ist am Rohr mit einer geraden Linie gekennzeichnet.

## 4 Wartung

Hinweise zur Wartung der Rollstühle entnehmen Sie bitte der Website von Vermeiren: [www.vermeiren.be](http://www.vermeiren.be).

**Spis treści**

<b>Wstęp</b>	<b>2</b>
<b>1 Opis produktu</b>	<b>3</b>
1.1 Przeznaczenie	3
1.2 Parametry techniczne	4
1.3 Elementy składowe	5
1.4 Akcesoria	5
1.5 Objasnienie symboli	6
1.6 Zasady bezpieczenstwa	6
<b>2 Sposob użycia</b>	<b>7</b>
2.1 Przenoszenie wózka inwalidzkiego	7
2.2 Montaż tylnich kół (jeśli zespół szybko mocujący jest dostępny)	7
2.3 Rozkładanie wózka inwalidzkiego	7
2.4 Montaż i demontaż podnóżków	7
2.5 Obsługa hamulców	8
2.6 Montaż i demontaż podłokietników	9
2.7 Wsiadanie i zsiadanie z wózka inwalidzkiego	9
2.8 Prawidłowa pozycja w wózku inwalidzkim	9
2.9 Jazda na wózku inwalidzkim	10
2.10 Poruszanie się po powierzchniach pochyłych	10
2.11 Pokonywanie progów lub krawężników	10
2.12 Składanie wózka inwalidzkiego	12
2.13 Zdejmowanie kół (jeśli zespół szybko mocujący jest dostępny)	12
2.14 Transport w samochodzie	12
<b>3 Montaż i regulacja</b>	<b>12</b>
3.1 Narzędzia	13
3.2 Elementy fotela	13
3.3 Siedzenie anatomiczne (OPCJONALNIE)	13
3.4 Oparcie anatomiczne (OPCJONALNIE)	13
3.5 Regulacja hamulców	14
3.6 Regulacja podnóżków	15
<b>4 Konserwacja</b>	<b>15</b>

## Wstęp

Przede wszystkim pragniemy Państwu podziękować za zaufanie, jakim nas Państwo obdarzyli, dokonując wyboru jednego z naszych wózków inwalidzkich.

Wózki inwalidzkie Vermeiren są konstruowane na podstawie wieloletnich badań i doświadczenia. W procesie projektowania szczególną uwagę poświęcono łatwości użycia i solidności.

Na szacowaną żywotność wózka inwalidzkiego olbrzymi wpływ ma konserwacja oraz pielęgnacja wózka.

Niniejsza instrukcja pomoże Państwu zapoznać się z obsługą wózka.

Postępowanie zgodnie z instrukcjami dotyczącymi obsługi i konserwacji stanowi zasadniczy warunek gwarancji.

Niniejsza instrukcja obsługi odzwierciedla aktualny stan produktu. Firma Vermeiren zastrzega sobie jednak prawo do wprowadzenia zmian bez obowiązku dostosowania lub wymiany wcześniej dostarczonych modeli.

W razie jakichkolwiek pytań prosimy kontaktować się ze sprzedawcą.

## 1 Opis produktu

### 1.1 Przeznaczenie

Wózek inwalidzki jest przeznaczony dla osób o ograniczonej zdolności lub braku zdolności chodzenia.

Wózek inwalidzki jest zaprojektowany do transportu jednej osoby.

Wózek przeznaczony jest do użycia wewnątrz jak i na zewnątrz budynków.

Użytkownik może napędzać wózek samodzielnie lub może być popychany przez opiekuna.

Wiele rodzajów mocowań i akcesoriów, a także modułowa konstrukcja, umożliwiają pełne użytkowanie wózka przez osoby niepełnosprawne na skutek:

- paraliżu;
- utraty kończyn (amputacji nóg);
- uszkodzenia lub deformacji kończyn;
- sztywnych lub uszkodzonych stawów;
- niewydolności serca i słabego krążenia krwi;
- zaburzeń równowagi;
- kacheksji (ubytków masy mięśniowej).
- oraz przez osoby starsze.

W celu dostosowania produktu do indywidualnych wymagań, należy uwzględnić następujące warunki:

- rozmiary i masa ciała (maks. 110 kg albo 150 kg dla wózka z tapicerką anatomiczną)
- stan fizyczny i psychiczny;
- warunki mieszkaniowe;
- otoczenie

Z wózka inwalidzkiego należy korzystać wyłącznie na powierzchniach, na których wszystkie cztery koła dotykają podłoża oraz kontakt jest wystarczający, aby odpowiednio napędzać koła.

Należy przeciwić pokonywanie przeszkód (np. krawężników) oraz korzystanie z wózka na nierównych powierzchniach (kostkach brukowych itp.), pochyłościach i zakrętach.

Wózka nie należy wykorzystywać w roli drabiny, nie służy on również do transportu ciężkich lub gorących przedmiotów.

Podczas użytkowania na matach, dywanach lub luźnych przykryciach podłogowych może dojść do uszkodzenia powierzchni wykładzinowej.

Należy korzystać wyłącznie z akcesoriów zatwierdzonych przez firmę Vermeiren.

Producent nie ponosi odpowiedzialności za uszkodzenia spowodowane zaniedbaniem konserwacji, nieodpowiednim serwisowaniem bądź będące skutkiem nieprzestrzegania zaleceń zawartych w niniejszej instrukcji obsługi.

Postępowanie zgodnie z instrukcją użytkownika oraz instrukcją konserwacji stanowi zasadniczy warunek gwarancji.



## 1.2 Parametry techniczne

Parametry techniczne podane poniżej opisują wózek inwalidzki w konfiguracji standardowej. Jeśli użytkownik korzysta z innych podnóżków/podłokietników lub innych akcesoriów, wartości będą się różnić.

<b>Producent</b>	Vermeiren			
<b>Adres</b>	Vermeirenplein 1/15, B-2920 Kalmthout			
<b>Typ</b>	Ręczny wózek inwalidzki			
<b>Model</b>	28			
<b>Maksymalna waga użytkownika</b>	110 kg; 150 kg dla wózka z tapicerką anatomiczną			
<b>Opis</b>	<b>Wymiary</b>			
Szerokość użytkowa siedziska	390 mm	440 mm	500 mm	550 mm
Szerokość całkowita (zależy od szerokości siedziska)	560 mm	610 mm	670 mm	750 mm
Szerokość po złożeniu	290 mm	290 mm	310 mm	350 mm
<b>Opis</b>	<b>Minimalne wymiary</b>		<b>Maksymalne wymiary</b>	
Długość całkowita z podnóżkiem	1110 mm			
Długość po złożeniu bez podnóżka	860 mm			
Wysokość po złożeniu	920 mm			
Waga całkowita	± 20 kg			
Waga najcięższej części	12 kg			
Waga części, które można zdemontować lub zdjąć	<b>Podpórki:</b> 1,90 kg; <b>Podłokietniki:</b> 1,85 kg; <b>Koła napędowe (tylnie):</b> 4,15 kg			
Stabilność statyczna przy pochyłości	15°			
Stabilność statyczna pod górę	15°			
Stabilność statyczna w poprzek	15°			
Zdolność pokonywania przeszkód	60 mm			
Kąt nachylenia siedziska	5°			
Głębokość użytkowa siedziska	430 mm			
Wysokość przedniej krawędzi siedziska	500 mm			
Kąt nachylenia oparcia	5°			
Wysokość oparcia	420 mm			
Odległość siedziska od płyta podnóżka	420 mm	520 mm		
Kąt pomiędzy siedziskiem a płyta podnóżka	9°			
Kąt pomiędzy siedziskiem a podnóżkiem	115°			
Odległość siedziska od podłokietnika	230 mm			
Przednia pozycja podłokietnika	220 mm			
Średnica obręczy	535 mm			
Pozycja osi w poziomie (odchył)	-3 mm			
Minimalny promień skrętu	1680 mm			
Średnica kół tylnych Krypton PU	24"			
Ciśnienie w oponach, koła tylne (napędowe) (dotyczy opon pompowanych)	Maksymalnie 3,5 bara			
Średnica kół skrętnych Krypton PU	200 mm			
Ciśnienie w oponach, koła skrętne (napędowe) (dotyczy opon pompowanych)	Maksymalnie 2,5 bara			
Temperatura przechowywania i użytkowania	+ 5 °C	+ 41 °C		
Wilgotność powietrza do przechowywania i użytkowania	30%	70%		
<b>Producent zastrzega sobie prawo do wprowadzania zmian parametrów technicznych. Tolerancja pomiaru ± 15 mm / 1,5 kg / °</b>				

Tabela 1: Parametry techniczne 28

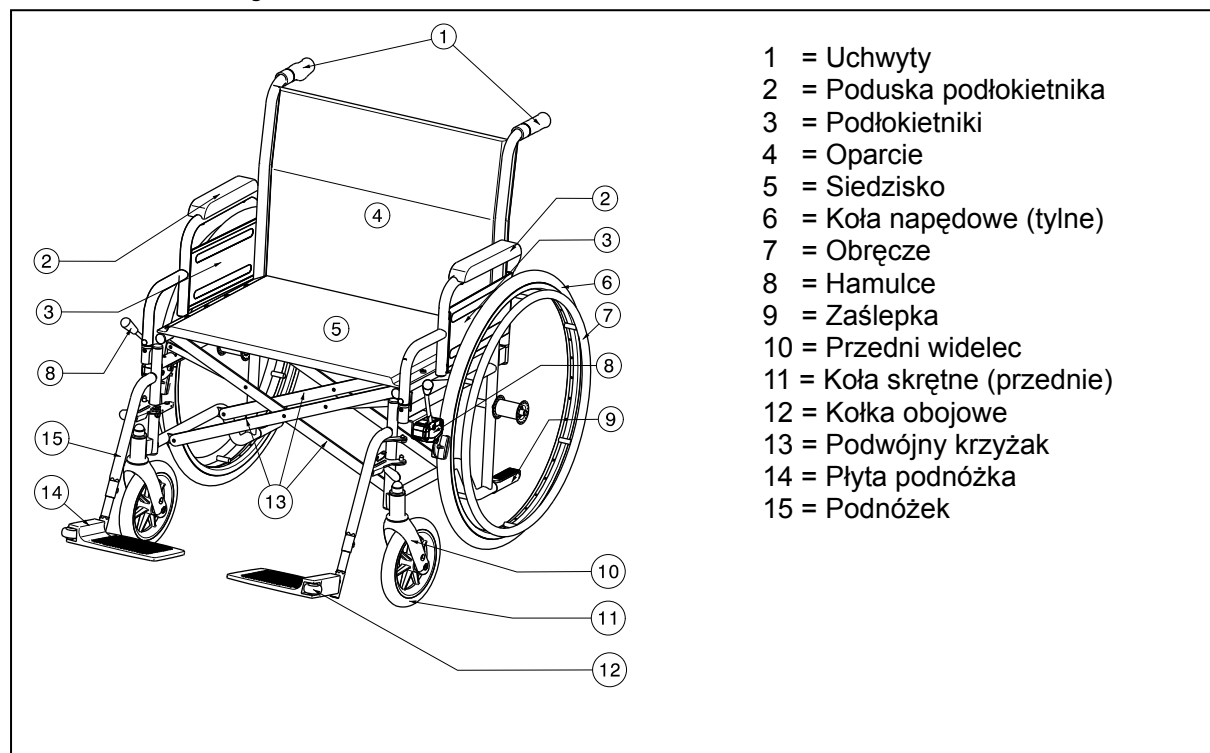
Wózek inwalidzki spełnia wymogi następujących norm:

ISO 7176-8: Wymogi i metody testowania sił działających w bezruchu, przy uderzeniu oraz zmęczeniu materiału.

EN 1021-1: Ocena zapalności mebli tapicerowanych — źródło zapłonu: tłący się papieros.

EN 1021-2: Ocena zapalności mebli tapicerowanych — źródło zapłonu: równoważnik płomienia zapalniczki.

### 1.3 Elementy składowe



### 1.4 Akcesoria

Dla modelu 28 dostępne są następujące akcesoria:

- Podłokietniki : (B02, B05, B66, B66O)
- Podnóżki: (B07, B08, B09, B10, BZ7, BZ8, BZ9, BZ10, BK7, BL6, BL7, BA6, BK6)
- Stolik: (B12)
- Uchwyt na kule: (B31)
- Uchwyt do kroplówki: (B52)
- Oparcie: (L14, L24)
- Pas stabilizujący miednicę od przodu (B20, B58) do zamocowania nad rurą oparcia
- Urządzenie zapobiegające przewróceniu wózka (B78) do zamocowania na dolnej ramie wózka
- Hamulce tarczowe dla opiekuna (B74) do zamontowania na uchwytach
- Wózek inwalidzki przewozowy (T30)
- Przesunięcie osi do tyłu (AMP)
- Zespół szybko mocujący (B80)
- Koła jezdne (B86)
- Zagłówek (B47, L55, L58)
- Uchwyt (B90)
- Podparcie boczne / Peloty (L04)

## 1.5 Objaśnienie symboli



Waga maksymalna



Użycie wewnątrz i na zewnątrz budynków



Maks. bezpieczne nachylenie



CE deklaracja



Oznaczenie typu



Nie nadaje się do użytku jako fotel w pojeździe silnikowym

## 1.6 Zasady bezpieczeństwa

- ⚠ By zapobiec urazom i/lub uszkodzeniom wózka należy upewnić się, że żadne przedmioty i/lub części ciała nie utknęły w szprychach kół jezdnych.
- ⚠ Przed przystąpieniem do siadania lub wysiadania z niego należy zaciągnąć hamulce postojowe.
- ⚠ Podczas siadania na wózek inwalidzki oraz zsiadania z niego nie wolno stawać na płytę podnóżka. Należy je wcześniej podnieść lub maksymalnie rozsunąć na boki.
- ⚠ Należy sprawdzić wpływ zmiany środka ciężkości na działanie wózka, na przykład podczas jazdy po pochyłych nawierzchniach, przy bocznych przechyłach lub przy omijaniu przeszkód. Opiekun powinien udzielić pomocy.
- ⚠ Aby podnieść przedmiot (leżący naprzeciw, z boku lub z tyłu wózka), nie należy wychylać się za daleko, aby uniknąć przewrócenia.
- ⚠ W przypadku przemieszczania wózka przez drzwi i inne przejścia, należy upewnić się, że po obydwu stronach jest wystarczająco dużo miejsca, aby uniknąć zranienia rąk lub uszkodzenia wózka.
- ⚠ Należy używać wózka zgodnie z przepisami. Przykładowo nie należy dopuszczać do niekontrolowanego uderzania o przeszkody (stopnie, krawężniki, futryny itd.). Nie należy również dopuszczać, aby wózek spadł ze stopni. Producent nie ponosi odpowiedzialności za szkody wynikłe z przeciążenia, kolizji lub innego niewłaściwego użytkowania.
- ⚠ Poruszanie się po schodach jest możliwe jedynie, gdy dostępna jest pomoc ze strony drugiej osoby. Należy korzystać z podjazdów czy wind, jeśli tylko urządzenia takie są dostępne.
- ⚠ Korzystając z dróg publicznych, należy stosować się do przepisów ruchu drogowego.
- ⚠ Podobnie jak w przypadku innych pojazdów, nie należy jeździć wózkiem pod wpływem alkoholu lub innych leków czy narkotyków. Dotyczy to również jazdy wewnątrz pomieszczeń.
- ⚠ Poruszając się wózkiem na zewnątrz należy uzależnić to od warunków pogodowych i ruchu drogowego.
- ⚠ Przy przenoszeniu wózka nie należy chwytać za ruchome części (podłokietniki, podnóżki itp.).
- ⚠ Aby być lepiej widocznym podczas jazdy w ciemności, należy mieć na sobie jaskrawe ubranie lub ubranie z elementami odblaskowymi i sprawdzić, czy boczne i tylne szkła odblaskowe wózka są dobrze widoczne.
- ⚠ Nigdy nie należy przekraczać maksymalnego obciążenia (patrz tabela 1: maksymalna masa pasażera).

## 2 Sposób użycia

W niniejszym rozdziale opisano normalne użytkowanie wózka. **Instrukcje te są przeznaczone dla użytkownika oraz wyspecjalizowanego sprzedawcy.**

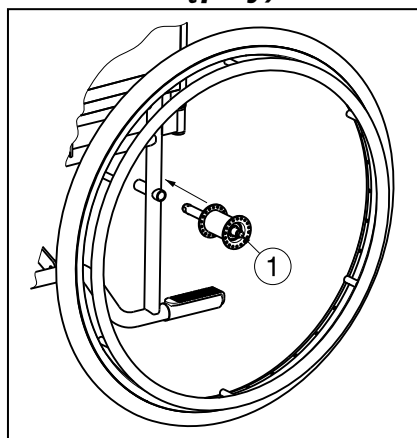
Wózek inwalidzki jest dostarczany klientowi po złożeniu przez wyspecjalizowanego sprzedawcę. Instrukcje montażu wózka przeznaczone dla wyspecjalizowanego sprzedawcy zawiera § 3.

### 2.1 Przenoszenie wózka inwalidzkiego

Najlepszym sposobem przenoszenia wózka inwalidzkiego jest prowadzenie go z wykorzystaniem jego kół.

Jeśli nie jest to możliwe (np. w przypadku demontażu tylnych kół w celach transportu wózka w samochodzie), należy mocno chwycić wózek za ramę z przodu oraz za uchwyty. Nie należy podnosić wózka, chwytając za podnózek, podłokietniki lub koła.

### 2.2 Montaż tylnych kół (jeśli zespół szybko mocujący jest dostępny)



1. Chwycić tylne koło i nacisnąć przycisk ①.
2. Przytrzymując wciśnięty przycisk, nałożyć oś tylnego koła aż do zablokowania.
3. Zwolnić przycisk ①.
4. Sprawdzić, czy koło jest bezpiecznie zamocowane.

### 2.3 Rozkładanie wózka inwalidzkiego

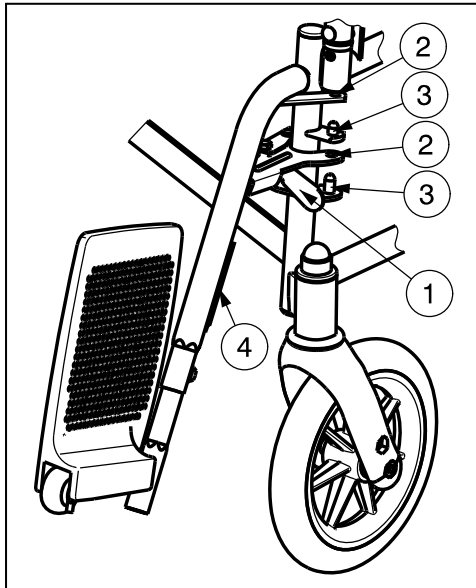
**⚠ PRZESTROGA: Ryzyko przytraśnięcia — należy trzymać palce w bezpiecznej odległości od ruchomych części wózka inwalidzkiego.**

1. Stań za wózkiem inwalidzkim.
2. Trzymając za uchwyty, maksymalnie rozłóż wózek.
3. Stań przed wózkiem inwalidzkim.
4. Dociśnij obie rurki siedziska w dół, aż zostaną zablokowane na pozycjach.

### 2.4 Montaż i demontaż podnóżków

**⚠ OSTRZEŻENIE: Ryzyko urazu — należy upewnić się, że przed użyciem podnóżki pod nogi są zablokowane na swoich pozycjach.**

**⚠ PRZESTROGA: Ryzyko przytraśnięcia — ludzie i przedmioty powinni się znajdować w bezpiecznej odległości od zasięgu regulacji podnóżki pod nogi.**



Aby zamontować podnóżki:

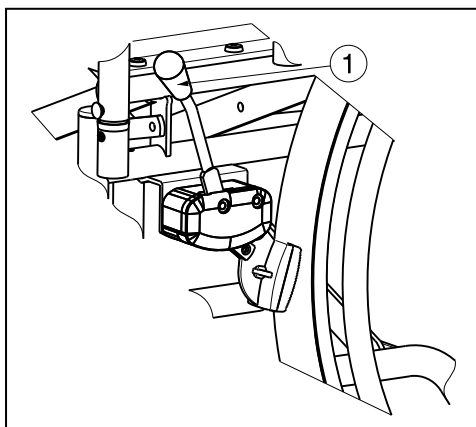
1. Przytrzymaj podnóżek w poprzek po zewnętrznej stronie ramy wózka.
2. Otwory w podnóżku ② dopasuj do kołków ③ znajdujących się w ramie.
3. Przesuń podnóżek w kierunku do wewnątrz aż do zadziałania blokady. Jeżeli zatrzask jest sztywny, naciśnij uchwyt delikatnie do tyłu.
4. Obróć płytę podnóżka w dół.
5. Umieść ponownie pas łydkowy w hakach ④.

Aby zdemontować podnóżki:

1. Usuń pas łydkowy poprzez odhaczenie z dwóch stron.
2. Odepchnąć dźwignię ① znajdującą się obok zamocowania podnóżka.
3. Obróć podnóżek na zewnątrz ramy wózka.
4. Ściągnij ② podnóżek z zaczepów umieszczonych na ramie ③.

## 2.5 Obsługa hamulców

- ⚠ **OSTRZEŻENIE:** Hamulce nie służą do spowalniania wózka inwalidzkiego w trakcie ruchu – należy ich używać wyłącznie, aby nie dopuścić do niepożądanych ruchów wózka.
- ⚠ **OSTRZEŻENIE:** Prawidłowe działanie hamulców zależy od ich zużycia i zanieczyszczenia opon (woda, olej, błoto itp.) — Należy sprawdzić stan opon przed każdym użyciem.
- ⚠ **OSTRZEŻENIE:** Hamulce są regulowane i mogą ulec zużyciu – należy sprawdzać stan hamulców przed każdym użyciem.



Aby zaciągnąć hamulec:

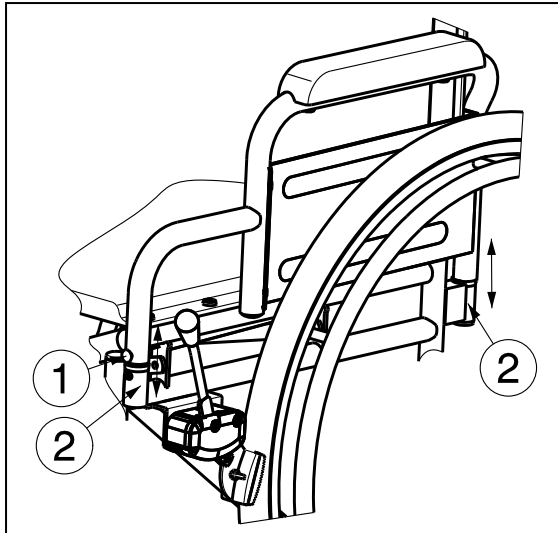
1. Należy popchnąć dźwignie hamulców ① w przód, aż da się słyszeć wyraźne kliknięcie.
- ⚠ **PRZESTROGA:** Ryzyko niezamierzonego ruchu – przed zwolnieniem hamulców należy upewnić się, że wózek inwalidzki znajduje się na płaskiej, poziomej powierzchni. Nigdy nie należy zwalniać obu hamulców jednocześnie.

Aby zwolnić hamulce:

1. Zwolnij jeden hamulec, pociągając dźwignię ① w tył.
2. Przytrzymaj dłonią obręcz zwolnionego koła.
3. Zwolnij drugi hamulec, pociągając dźwignię ① w tył.

## 2.6 Montaż i demontaż podłokietników

- ⚠ PRZESTROGA:** Ryzyko przytrzaśnięcia — trzymaj palce, zapięcia i odzież z dala od spodniej części podłokietnika.
- ⚠ PRZESTROGA:** Ryzyko przytrzaśnięcia — przed użyciem wózka należy upewnić się, podłokietnik jest bezpiecznie zamocowany.



Podłokietniki można zdemontować zgodnie z poniższą instrukcją.

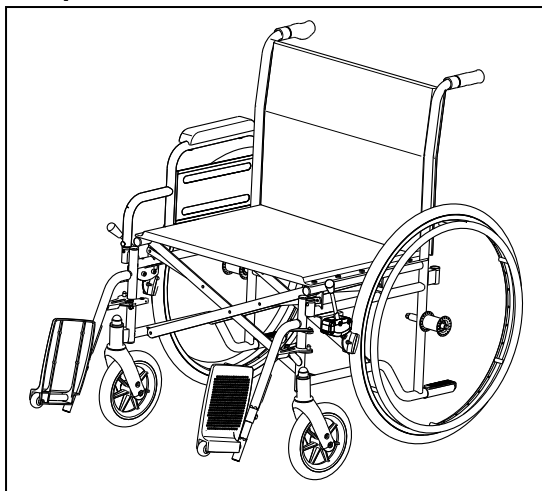
1. Naciśnij przycisk ① zlokalizowany z przodu podłokietniki.
2. Podnoszenie podłokietniki poza rurkę ② należącej do ramy siedziska.

Podłokietniki można zamontować zgodnie z poniższą instrukcją.

1. Zamontuj podłokietniki w rurkę do ramy siedziska ②.
2. Naciśnij podłokietniki aż zabezpieczenie podłokietnika ① kliknie w otworze.
3. Sprawdź, czy podłokietnik jest bezpiecznie zamocowany.

## 2.7 Wsiadanie i zsiadanie z wózka inwalidzkiego

- ⚠ PRZESTROGA:** Jeśli nie można samemu bezpiecznie usiąść na fotelu lub wstać z niego, należy poprosić kogoś o pomoc.
- ⚠ PRZESTROGA:** Ryzyko przewrócenia wózka – nie wolno stawać na płytach podnóżka.



1. Ustaw wózek jak najbliżej krzesła, kanapy bądź łóżka, na które chcesz wysiąść.
2. Sprawdź, czy oba hamulce zostały zaciśnięte.
3. Odchyl płyty podnóżka w górę, uniemożliwiając stanięcie na nich.
4. Jeśli dziecko będzie przenoszone w kierunku bocznym, należy zdemontować podporę podłokietnika z tej strony (patrz § 2.6).
5. Wsiądź na/zsiądź z wózka inwalidzkiego.

## 2.8 Prawidłowa pozycja w wózku inwalidzkim

Zalecenia dotyczące wygodnego korzystania z wózka inwalidzkiego:

- Plecy powinny znajdować się możliwie najbliżej oparcia.
- Upewnij się, że uda ułożone są w poziomie — w razie potrzeby dostosuj długość płyty podnóżka (patrz § 3.6.1).

## 2.9 Jazda na wózku inwalidzkim

- ⚠ **OSTRZEŻENIE:** Ryzyko przytraśnięcia — należy uważać, aby palce nie uwięzły pomiędzy szprychami kół.
  - ⚠ **OSTRZEŻENIE:** Ryzyko przytraśnięcia — zachowaj ostrożność podczas przejazdu przez ograniczone przestrzenie (np. drzwi).
  - ⚠ **OSTRZEŻENIE:** Ryzyko poparzenia — należy zachować ostrożność podczas prowadzenia wózka przy bardzo wysokich i niskich temperaturach, (na ostrym słońcu, mrozie, w saunie itp.) przez dłuższy czas i przy kontakcie ze skórą — powierzchnie mogą przyjmować temperaturę otoczenia.
1. Zwolnij hamulce.
  2. Uchwyć obie obręcze w najwyższych punktach.
  3. Pochyl się w przód i popchnij obręcze do przodu aż do wyprostowania rąk.
  4. Luźno odchyl ręce do tyłu aż do górnych krawędzi obręczy i powtórz ruch.

## 2.10 Poruszanie się po powierzchniach pochyłych

- ⚠ **OSTRZEŻENIE:** Ogranicz prędkość – na powierzchniach pochyłych poruszaj się jak najwolniej.
- ⚠ **OSTRZEŻENIE:** Weź pod uwagę możliwości opiekuna – jeśli nie dysponuje siłą pozwalającą kontrolować wózek, zaciągnij hamulce.
- ⚠ **OSTRZEŻENIE:** Ryzyko wywrócenia – pochyl się w przód, aby przesunąć środek ciężkości do przodu. Pozwoli to ustabilizować wózek.



1. Zapnij pasy bezpieczeństwa, jeśli wózek jest w nie wyposażony.
2. Nie próbuj poruszać się po zbyt dużych pochyłościach. Maksymalne kąty nachylenia (podczas jazdy pod górę i w dół) przedstawiono w tabeli 1.
3. Poproś opiekuna o pomoc podczas ruchu na pochyłym podłożu.
4. Pochyl się w przód, aby przesunąć środek ciężkości do przodu.

## 2.11 Pokonywanie progów lub krawężników

### 2.11.1 Zjeżdżanie z progów lub krawężników

Z niskiego krawężnika można zjechać, poruszając się w przód. Upewnij się, że płyty podnóżka nie dotykają ziemi.



Doświadczony użytkownik może samodzielnie pokonać niewielkie progi lub krawężniki.

- ⚠ **OSTRZEŻENIE:** Ryzyko wywrócenia – jeśli nie posiadasz wystarczającego doświadczenia w korzystaniu z wózka inwalidzkiego, poproś o pomoc opiekuna.
1. Utrzymaj równowagę na kołach tylnych, aby zmniejszyć nacisk na koła przednie.
  2. Pokonaj krawężnik.

Wyższe krawężniki można pokonać, poruszając się w przód z pomocą opiekuna.

1. Poproś opiekuna, aby nieznacznie odchylił wózek inwalidzki do tyłu.
2. Pokonuj krawężniki, poruszając się na tylnych kołach.
3. Ponownie oprzyj wózek na wszystkich czterech kołach.



Doświadczony użytkownik może samodzielnie pokonywać wyższe krawężniki. Najłatwiej tego dokonać, poruszając się do tyłu.

1. Obróć wózek inwalidzki, zwracając go tylnymi kołami w stronę krawężnika.
2. Pochyl się w przód, aby przesunąć środek ciężkości do przodu.
3. Zbliź wózek do krawędzi krawężnika.
4. Przy użyciu obręczy w kontrolowany sposób zsuń wózek z krawężnika.

### 2.11.2 Wjeżdżanie na progi lub krawężniki

Aby wjechać na próg lub krawężnik z pomocą opiekuna:



1. Nie dopuść, aby płyty podnóżka dotknęły krawężnika.
2. Poproś opiekuna o odchylenie wózka do tyłu na tyle, aby unieść przednie koła nad krawężnik.
3. Odchyl się do tyłu, przenosząc środek ciężkości nad tylne koła.
4. Wjedź przednimi kołami na krawężnik.
5. Przejedź tylnymi kołami przez krawężnik.

Wyższe krawężniki można pokonać, jadąc do tyłu:

1. Obróć wózek inwalidzki, zwracając go tylnymi kołami w stronę krawężnika.
2. Odchyl się w tył, przenosząc środek ciężkości nad tylne koła.
3. Poproś opiekuna o wciągnięcie wózka na krawężnik.
4. Powróć do normalnej pozycji w wózku inwalidzkim.

Doświadczony użytkownik może samodzielnie pokonywać krawężniki.

**⚠ OSTRZEŻENIE: Ryzyko wywrócenia – jeśli nie posiadasz wystarczającego doświadczenia w korzystaniu z wózka inwalidzkiego, poproś o pomoc opiekuna.**



1. Podjedź do krawężnika.
2. Upewnij się, że płyty podnóżka nie dotykają krawężnika.
3. Odchyl się w tył, utrzymując równowagę na tylnych kołach.



4. Wjedź przednimi kołami na krawężnik.
5. Pochyl się do przodu, aby ustabilizować wózek.
6. Wjedź tylnymi kołami na krawężnik.

### 2.11.3 Pokonywanie schodów

Schody można pokonywać na wózku inwalidzkim, przestrzegając następujących zasad:

**⚠ OSTRZEŻENIE: Ryzyko wywrócenia – zawsze pokonuj schody z pomocą 2 opiekunów.**

1. Wymontuj podnóżki.
2. Jeden z opiekunów musi nieznacznie odchylić wózek w tył.
3. Drugi opiekun chwyta za przód ramy wózka.
4. Zachowaj spokój, unikaj nagłych ruchów i trzymaj ręce wewnątrz wózka.
5. Pokonuj schody na tylnych kołach wózka.
6. Po pokonaniu schodów ponownie zamontuj podnóżki.



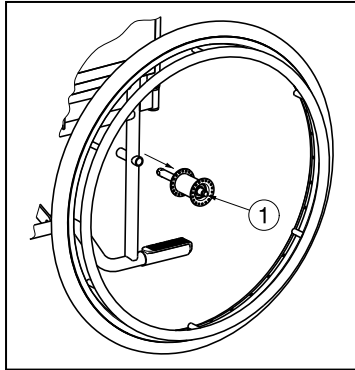
## 2.12 Składanie wózka inwalidzkiego

**⚠ PRZESTROGA:** Możliwość przytraśnięcia — Nie należy wkładać palców między elementy wózka.

1. Złóż lub wymontuj płyty podnóżków (patrz § 2.4).
2. Chwyć siedzenie za przód i oparcie, a następnie pociągnij w górę.

## 2.13 Zdejmowanie kół (jeśli zespół szybko mocujący jest dostępny)

Aby ułatwić transport wózka inwalidzkiego, można zdjąć tylne koła.



1. Upewnij się, że hamulce są zwolnione.
2. Przejdź na stronę wózka, z której chcesz zdjąć koło.
3. Naciśnij przycisk ① znajdujący się pośrodku piasty koła.
4. Zdejmij koło z ramy.

## 2.14 Transport w samochodzie

**⚠ NIEBEZPIECZEŃSTWO:** Ryzyko zranienia- Nie należy przewozić osób siedzących w wózku podczas jazdy samochodem.

**⚠ OSTRZEŻENIE:** Ryzyko urazu — należy upewnić się, że wózek inwalidzki jest prawidłowo umocowany. Pozwoli to zapobiec urazom pasażerów podczas kolizji lub gwałtownego hamowania.

**⚠ OSTRZEŻENIE:** Ryzyko urazu — **NIGDY** nie należy używać jednego pasa bezpieczeństwa do zabezpieczenia pasażera i wózka inwalidzkiego.

Nigdy nie należy używać wózka jako fotela w samochodach i innych pojazdach zmechanizowanych. Wózek powinien być oznaczony następującym symbolem.



Aby przewieźć wózek w samochodzie, należy wykonać następujące czynności:

1. Wymontuj podnóżki, podłokietniki i akcesoria.
2. Umieść podnóżki i akcesoria w bezpiecznym miejscu.
3. Jeśli to możliwe, złóż wózek inwalidzki i zdejmij koła.
4. Umieść wózek inwalidzki w bagażniku.
5. Jeśli wózek **NIE** znajduje się w przedziale bagażowym oddzielonym od kabiny pasażerów, dokładnie umocuj ramę wózka inwalidzkiego do pojazdu. Możesz skorzystać z nieużywanych pasów bezpieczeństwa.

## 3 Montaż i regulacja

Instrukcje zawarte w niniejszym rozdziale są przeznaczone dla wyspecjalizowanego sprzedawcy.

Wózki Vermeiren 28 zostały zaprojektowane w całości dla Państwa wygody.

Aby uzyskać informację o odpowiednim punkcie serwisowym lub wyspecjalizowanym sprzedawcy, należy skontaktować się z najbliższym przedstawicielem firmy Vermeiren. Wykaz przedstawicieli firmy Vermeiren podano na ostatniej stronie.

- PL**
- ⚠ **OSTRZEŻENIE:** Ryzyko niebezpiecznych ustawień — należy używać wyłącznie ustawień opisanych w tej instrukcji obsługi.
  - ⚠ **OSTRZEŻENIE:** Modyfikacja dopuszczalnego stopnia regulacji ramy może prowadzić do zmiany stabilności wózka inwalidzkiego (może powodować przechylenie w tył lub na bok).

### 3.1 Narzędzia

Do regulacji ustawień wózka inwalidzkiego wymagane są następujące narzędzia.

- Zestaw kluczy nr 10 – 19
- Zestaw kluczy imbusowych nr 4 – 5
- Wkrętak krzyżakowy

### 3.2 Elementy fotela

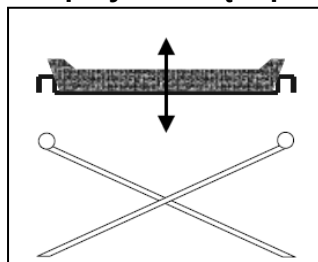
Dostarczany wózek Vermeiren 28 będzie zawierał:

- 1 ramę z podłokietnikami, tylnymi i przednimi kołami (wysokość siedzenia 500 mm, pochylenie siedzenia 5°);
- 1 parę podnóżków
- poduszkę oparcia i siedzenia;
- Narzędzia
- Instrukcja obsługi
- akcesoria (opcjonalnie);
- pompkę (tylko z oponami pneumatycznymi).

Przed użyciem należy się upewnić, że produkt zawiera wszystkie elementy oraz że żaden z elementów nie uległ uszkodzeniu (np. podczas transportu).

### 3.3 Siedzenie anatomiczne (OPCJONALNIE)

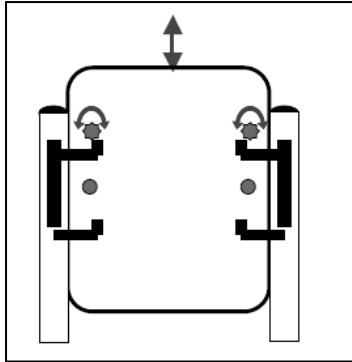
- ⚠ **OSTRZEŻENIE:** Ryzyko urazu — należy upewnić się, że siedzenie jest bezpiecznie umocowane.
- ⚠ **OSTRZEŻENIE:** Ryzyko urazu — należy uważać, aby palce nie zostały przytrzaśnięte podczas montażu.



Jeśli zamówione zostało anatomicznie siedzisko profilowane, należy umieścić je na krzyżaku rurowym tak, aby spoczywało na nim równomiernie. W drewnianej podstawie znajdują się otwory, w których umieszczone powinny zostać elementy krzyżaka. Aby złożyć wózek, należy zdjąć siedzisko, pociągając je w górę.

### 3.4 Oparcie anatomiczne (OPCJONALNIE)

- ⚠ **OSTRZEŻENIE:** Ryzyko urazu — należy upewnić się, że oparcie jest bezpiecznie umocowane.
- ⚠ **OSTRZEŻENIE:** Ryzyko urazu — należy uważać, aby palce nie zostały przytrzaśnięte podczas montażu.



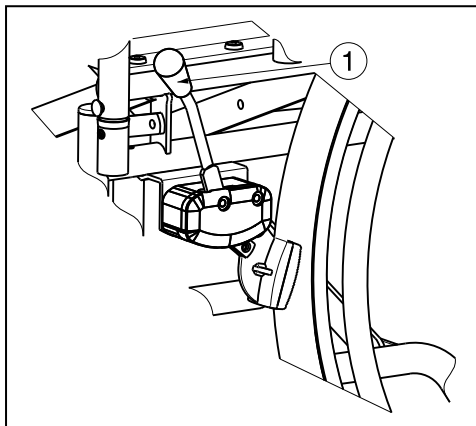
Aby zamontować oparcie anatomiczne:

1. Odkręć oparcie elastyczne.
2. Poluzuj śrubę na wsporniku oparcia.
3. Włóż od góry oparcie we wsporniki.
4. Dokręć śruby trzymające oparcie w uchwytach.
5. Włóż i dokręć śruby zabezpieczające oparcie.
6. Zamontuj podłokietniki.

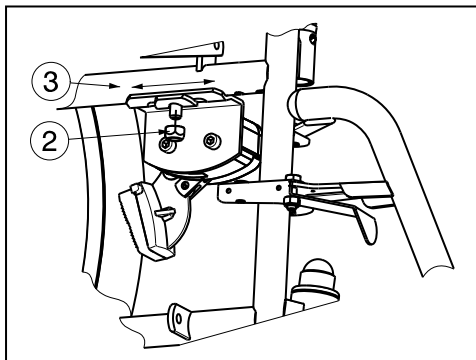
### 3.5 Regulacja hamulców

**⚠ OSTRZEŻENIE:** Ryzyko urazu – regulacji hamulców może dokonywać wyłącznie wyspecjalizowany sprzedawca.

Aby wyregulować hamulce:



1. Zamontuj koła zgodnie z § 2.2.
2. Odłącz hamulce, pociągając dźwignię ① w tył.

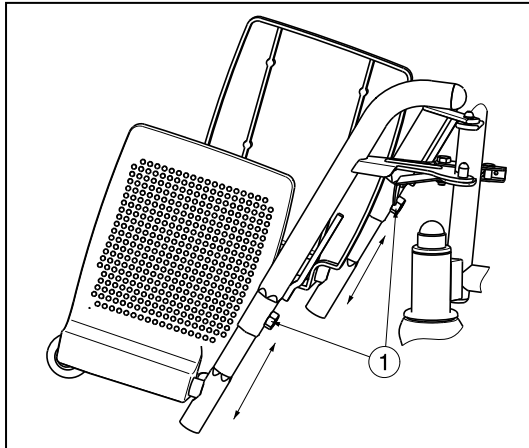


3. Poluzuj samozaciskową nakrętkę ②, aby umożliwić ruch mechanizmu hamulcowego po rurze ③.
4. Przesuń mechanizm hamulcowy po rurze ③ w żądane położenie (zakres regulacji: 37 mm regulacja płynna, jest możliwy w zakresie wyźłobienia na płycie mocującej hamulca).
5. Dokręć nakrętkę samozaciskową ②.
6. Sprawdź pracę hamulców.
7. W razie potrzeby powtórz powyższe czynności aż do poprawnego wyregulowania hamulców.

## 3.6 Regulacja podnóżków

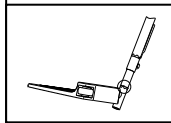
### 3.6.1 Długość podnóżków

**⚠ PRZESTROGA:** Ryzyko uszkodzenia – należy unikać kontaktu podnóżków z podłożem. Zachowaj minimalny odstęp 60 mm od podłoża.



Aby wyregulować długość (płynna regulacja w zakresie 100 mm) podnóżków :

1. Odkręć nakrętkę ① na dolnym końcu górnej części podnóżka nóg.
2. Ustaw wygodną długość podnóżka, przesuując sześciokątną wewnętrzną rurę na zewnątrz lub do środka.
3. Odpowiednio dokręć śrubę imbusową ①.



Długość płyty podnóżka jest minimalną, kiedy rura podnóżka zmienia się z sześciokątnej na okrągłą.

Długość podnóżka jest maksymalną, kiedy osiągnięty zostanie znak na rurze. Znakiem tym jest linia prosta.

## 4 Konserwacja

Instrukcje dotyczące konserwacji wózka inwalidzkiego znajdziesz na stronie internetowej firmy Vermeiren: [www.vermeiren.pl](http://www.vermeiren.pl).

## ITALIANO

### GARANZIA CONTRATTUALE

La carrozzina manuale sono garantite 5 anni, la carrozzina leggera 4 anni. Le carrozzine elettroniche, tricicli, letti e altri prodotti: 2 anno contro tutti i difetti di costruzione o di materiale (batterie 6 mesi). Multiposizioni 3 anni. Questa garanzia e' limitata alle sostituzioni di parti riconosciute difettose.

### CONDIZIONI

Per far valere la garanzia, e' necessario indirizzarla al vostro distributore di fiducia che presentera' al produttore il tagliando.

### RISERVE

Questa garanzia non potra' essere applicata nei seguenti casi:

- danno dovuto al cattivo ed improprio utilizzo della carrozzina,
- danno subito durante il trasporto,
- incidente o caduta,
- smontaggio, modifica, o riparazione effettuate in proprio,
- usura abituale della carrozzina,
- invio del tagliando di garanzia con la data di acquisto.



# VERMEIREN



**WAARBORG  
GARANTIE  
WARRANTY  
GARANTIE  
GARANZIA**

N.V. VERMEIREN N.V.  
VERMEIRENPLEIN 1-15  
B-2920 Kalmthout  
Tel.: 00 32 (0)3 620 20 20  
Fax: 00 32 (0)3 666 48 94  
[www.vermeiren.com](http://www.vermeiren.com)

**B**

Naam/Nom/Name

Name/Nome

Adres/Adresse/Address

Adresse/Indirizzo

Woonplaats/Domicile/Home

Wohnort/Citta

E-mail

Artikel/Article/Article

Artikele/Articolo

Reeks nr./N° de série/Serie nr.

Serien-Nr./No. di serie

Aankoopdatum/Date d'achat/Date of purchase

Kaufdatum/Data di acquisto

Stempel verkoper/Timbre du vendeur

Dealer stamp/Händlerstempel

Timbro del rivenditore

**A**

Naam/Nom/Name

Name/Nome

Adres/Adresse/Address

Adresse/Indirizzo

Woonplaats/Domicile/Home

Wohnort/Citta

E-mail

Artikel/Article/Article

Artikele/Articolo

Reeks nr./N° de série/Serie nr.

Serien-Nr./No. di serie

Aankoopdatum/Date d'achat/Date of purchase

Kaufdatum/Data di acquisto

Stempel verkoper/Timbre du vendeur

Dealer stamp/Händlerstempel

Timbro del rivenditore

## NEDERLANDS

### CONTRACTUELE GARANTIE

Op de manuele rolstoelen geven wij 5 jaar, lichtgewicht rolstoelen 4 jaar. Op de elektronische rolstoelen, driewielers, bedden en andere producten : 2 jaar waarbij op constructie - of materiaalhouren (batterijen 6 maanden). Op multipositie rolstoelen geven we 3 jaar waarbij. Deze garantie is uitsluitend beperkt tot de vervanging van defecte stukken of onderdelen.

### TOEPASSINGSVOORWAARDEN

Om aanspraak te kunnen maken op de waarborg, bezorgt u het garantiecertificaat dat u heeft bewaard, aan uw Vermeiren dealer. De waarborg is enkel geldig in de zetel van de onderneming.

### UITZONDERINGEN

Deze garantie is niet van toepassing in geval van:

- schade te wijten aan het verkeerd gebruik van de rolstoel,
- beschadiging tijdens het transport,
- een val of een ongeval
- een demontage, wijziging of herstelling uitgevoerd buiten onze firma,
- normale slijtage van de rolstoel,
- niet inzenden van de garantiestrook.

## FRANCAIS

### GARANTIE CONTRACTUELLE

Les fauteuils manuels standard sont garantis 5 ans, les fauteuils ultra légers 4 ans. Les fauteuils électroniques, tricycles, lits et d'autres produits: 2 ans contre tous vices de construction ou de matériaux (batteries 6 mois). Fauteuils multiposition 3 ans. Cette garantie est expressément limitée au remplacement des éléments ou pièces détachées reconnues défectueuses.

### CONDITIONS D'APPLICATION

Pour prétendre à cette garantie, il faut présenter le certificat de garantie que vous avez conservé à votre distributeur Vermeiren. La garantie est uniquement valable au siège de la société.

### RESERVES

Cette garantie ne pourra être appliquée en cas de:

- dommage dû à la mauvaise utilisation du fauteuil,
- endommagement pendant le transport,
- accident ou chute,
- démontage, modification ou réparation fait en dehors de notre société,
- usure normale du fauteuil,
- non retour du coupon de garantie.

## ENGLISH

### CONTRACTUAL WARRANTY

We offer 5 years of warranty on standard wheelchairs, lightweight wheelchairs 4 years. Electronic wheelchairs, tricycles, beds and other products: 2 years (batteries 6 months) and multiposition wheelchairs 3 years. This warranty is limited to the replacement of defective or spare parts.

### APPLICATION CONDITIONS

In order to claim this warranty, part "B" of this card has to be given to your official Vermeiren dealer. The warranty is only valid when parts are replaced by Vermeiren in Belgium.

### EXCEPTIONS

This warranty is not valid in case of:

- damage due to incorrect usage of the wheelchair,
- damage during transport,
- involvement in an accident,
- a dismount, modification or repair carried outside of our company and/or official Vermeiren dealership,
- normal wear of the wheelchair,
- non-return of the warranty card

## DEUTSCH

### GARANTIEERKLÄRUNG

Wir garantieren, dass für unsere Rollstühle hochwertige Produkte verwendet werden, die in sorgfältiger Verarbeitung nach dem neuesten Stand der Technik montiert werden. Bevor Ihr Rollstuhl unser Werk verlassen hat, wurde er einer eingehenden Endkontrolle unterzogen, um auch letzte, eventuell vorhandene Mängel aufzuspüren.

Auf Standardrollstühle gewähren wir eine Garantie von 5 Jahren, auf Leichtgewichtrollstühle 4 Jahre, auf elektronische Rollstühle, Dreiräder, Betten und andere Produkte: 2 Jahre (Batterien 6 Monate), auf Multifunktionsrollstühle 3 Jahre.

In dieser Garantie eingeschlossen sind alle Mängel, die auf einen Produkt- oder Verarbeitungsfehler zurückzuführen sind. Dieser Garantie unterliegen keine Schäden aus unsachgemäßer Benutzung. Ebenfalls sind Verschleißteile von der Garantie ausgenommen.

Sollte einmal der Fall eingetreten sein, dass Sie aus berechtigtem Grunde mit Ihrem Rollstuhl unzufrieden sind, so wenden Sie sich bitte unverzüglich an Ihren Fachhändler. Er wird sich in enger Zusammenarbeit mit uns darum bemühen, eine für Sie zufriedenstellende Lösung zu finden.

## A

- terugsturen binnen de 8 dagen na aankoop of registreer uw product via onze website, <http://www.vermeiren.be/registration>
- à renvoyer dans les 8 jours après achat ou régistrier votre produit sur notre site, <http://www.vermeiren.be/registration>
- please return within 8 days of date of purchase or register your product at our website, <http://www.vermeiren.be/registration>
- zurückschicken innerhalb von 8 Tagen nach kauf oder registrieren Sie Ihr Produkt auf unserer website, <http://www.vermeiren.be/registration>
- da restituire entro 8 giorni dalla data di acquisto o registri il vostro prodotto al nostro web site, <http://www.vermeiren.be/registration>

## B

- in geval van herstelling, kaart "B" bijvoegen.
- en cas de réparation, veuillez ajouter la carte "B".
- in case of repair, please add part "B".
- im Falle einer Reparatur, Karte "B" beifügen
- in case di riparazione, ripresentaci la carta "B".

N.V. VERMEIREN N.V.  
Vermeirenplein 1/15  
B-2920 Kalmthout  
BELGIUM



**SERVICE**

The wheelchair was serviced:  
Le fauteuil roulant a été contrôlé:  
De rolstoel is gecontroleerd:

Das Rollstuhl wurde überprüft:  
Z wózek inwalidzki był serwisowany:

Dealer's stamp • Cachet du revendeur • Stempel van de handelaar  
Händlerstempel • Dealerzy pieczęć:

Date • Datum • Data • Fecha:

Dealer's stamp • Cachet du revendeur • Stempel van de handelaar  
Händlerstempel • Dealerzy pieczęć:

Date • Datum • Data • Fecha:

Dealer's stamp • Cachet du revendeur • Stempel van de handelaar  
Händlerstempel • Dealerzy pieczęć:

Date • Datum • Data • Fecha:

Dealer's stamp • Cachet du revendeur • Stempel van de handelaar  
Händlerstempel • Dealerzy pieczęć:

Date • Datum • Data • Fecha:

Dealer's stamp • Cachet du revendeur • Stempel van de handelaar  
Händlerstempel • Dealerzy pieczęć:

Date • Datum • Data • Fecha:

Dealer's stamp • Cachet du revendeur • Stempel van de handelaar  
Händlerstempel • Dealerzy pieczęć:

Date • Datum • Data • Fecha:

Dealer's stamp • Cachet du revendeur • Stempel van de handelaar  
Händlerstempel • Dealerzy pieczęć:

Date • Datum • Data • Fecha:

Dealer's stamp • Cachet du revendeur • Stempel van de handelaar  
Händlerstempel • Dealerzy pieczęć:

Date • Datum • Data • Fecha:

Dealer's stamp • Cachet du revendeur • Stempel van de handelaar  
Händlerstempel • Dealerzy pieczęć:

Date • Datum • Data • Fecha:

Dealer's stamp • Cachet du revendeur • Stempel van de handelaar  
Händlerstempel • Dealerzy pieczęć:

Date • Datum • Data • Fecha:

- For service checklists an additional technical information, please see our specialist dealers nearest to you. More information on our website at: [www.vermeiren.com](http://www.vermeiren.com).
- Les listes des contrôles à effectuer lors des entretiens de même que toute autre information technique sont disponibles auprès de nos filiales. Pour de plus amples informations, consultez le site: [www.vermeiren.fr](http://www.vermeiren.fr).
- Servicelijsten en andere technische informatie kunt u aanvragen bij onze vestigingen. Meer informatie vindt u ook op: [www.vermeiren.be](http://www.vermeiren.be).
- Servicechecklisten und weitere technische Informationen erhalten Sie über unsere Niederlassungen. Informationen unter: [www.vermeiren.de](http://www.vermeiren.de), [www.vermeiren.at](http://www.vermeiren.at), [www.vermeiren.ch](http://www.vermeiren.ch).
- Po dodatkowe informacje techniczne oraz listę części zamiennych proszę się kontaktować z naszym wyspecjalizowanymi dystrybutorami w pobliżu miejsca zamieszkania. Więcej informacji na naszej stronie [www.vermeiren.pl](http://www.vermeiren.pl).

## Belgium

### N.V. Vermeiren N.V.

Vermeirenplein 1 / 15  
B-2920 Kalmthout  
Tel: +32(0)3 620 20 20  
Fax: +32(0)3 666 48 94  
website: [www.vermeiren.be](http://www.vermeiren.be)  
e-mail: [info@vermeiren.be](mailto:info@vermeiren.be)

## France

### Vermeiren France S.A.

Z. I., 5, Rue d'Ennevelin  
F-59710 Avelin  
Tel: +33(0)3 28 55 07 98  
Fax: +33(0)3 20 90 28 89  
website: [www.vermeiren.fr](http://www.vermeiren.fr)  
e-mail: [info@vermeiren.fr](mailto:info@vermeiren.fr)

## Italy

### Reatime S.R.L.

Viale delle Industrie 5  
I-20020 Arese MI  
Tel: +39 02 99 77 07  
Fax: +39 02 93 58 56 17  
website: [www.reatime.it](http://www.reatime.it)  
e-mail: [info@reatime.it](mailto:info@reatime.it)

## Poland

### Vermeiren Polska Sp. z o.o

ul. Łączna 1  
PL-55-100 Trzebnica  
Tel: +48(0)71 387 42 00  
Fax: +48(0)71 387 05 74  
website: [www.vermeiren.pl](http://www.vermeiren.pl)  
e-mail: [info@vermeiren.pl](mailto:info@vermeiren.pl)

## Czech Republic

### Vermeiren ČR S.R.O.

Nadrazni 132  
702 00 Ostrava 1  
Tel: +420 596 133 923  
Fax: +420 596 133 277  
website: [www.vermeiren.cz](http://www.vermeiren.cz)  
e-mail: [info@vermeiren.cz](mailto:info@vermeiren.cz)

## Germany

### Vermeiren Deutschland GmbH

Wahlerstraße 12 a  
D-40472 Düsseldorf  
Tel: +49(0)211 94 27 90  
Fax: +49(0)211 65 36 00  
website: [www.vermeiren.de](http://www.vermeiren.de)  
e-mail: [info@vermeiren.de](mailto:info@vermeiren.de)

## Austria

### L. Vermeiren Ges. mbH

Winetzhammerstraße 10  
A-4030 Linz  
Tel: +43(0)732 37 13 66  
Fax: +43(0)732 37 13 69  
website: [www.vermeiren.at](http://www.vermeiren.at)  
e-mail: [info@vermeiren.at](mailto:info@vermeiren.at)

## Switzerland

### Vermeiren Suisse S.A.

Hühnerhubelstraße 59  
CH-3123 Belp  
Tel: +41(0)31 818 40 95  
Fax: +41(0)31 818 40 98  
website: [www.vermeiren.ch](http://www.vermeiren.ch)  
e-mail: [info@vermeiren.ch](mailto:info@vermeiren.ch)

## Spain / Portugal

### Vermeiren Iberica, S.L.

Carratera de Cartellà, Km 0,5  
Sant Gregori Parc Industrial Edifici A  
17150 Sant Gregori (Girona)  
Tel: +34 972 42 84 33  
Fax: +34 972 40 50 54  
website: [www.vermeiren.es](http://www.vermeiren.es)  
e-mail: [info@vermeiren.es](mailto:info@vermeiren.es)