

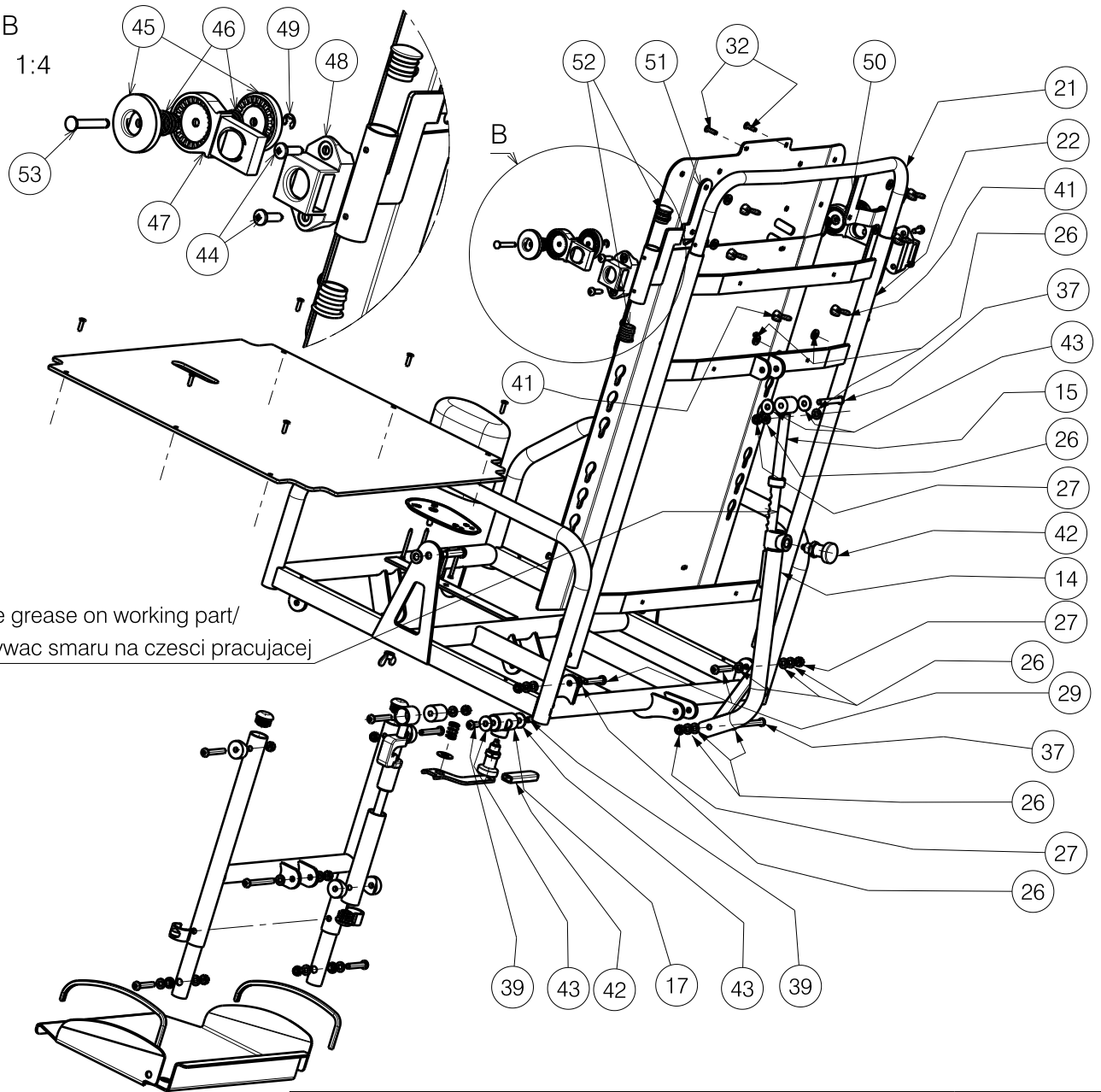
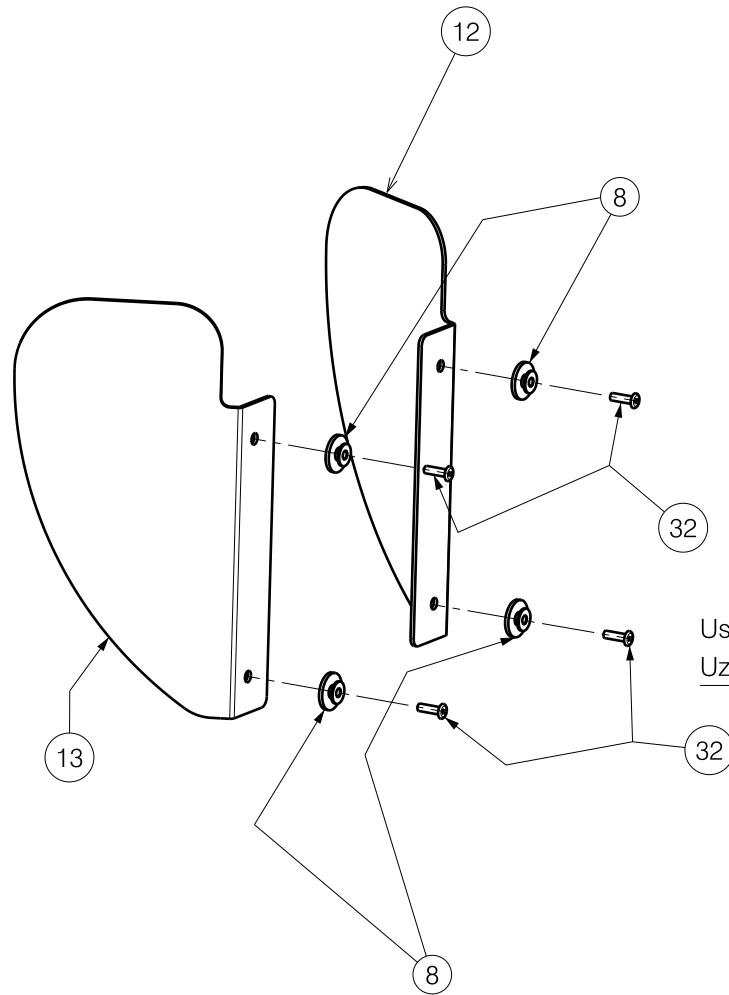
EP00057 / E

Detail A
Scale: 1:4

SEAT FRAME GEMINI 45				Plan No.
				EP00057 / E
Scale: 1:8	Drafted	Verified	Confirmed	
Date	19/07/2018	21/08/2019	21/08/2019	
Initials	AZ	PM	TK	

Scale: 1:4

Detail B
Scale: 1:4



Use grease on working part/
Uzywac smaru na czesci pracujacej

EP00057 / E

SEAT FRAME GEMINI 45				Plan No.
				EP00057/E
Scale: 1:8	Drafted	Verified	Confirmed	
Date	19/07/2018	21/08/2019	21/08/2019	
Initials	AZ	PM	TK	

2/3

Material			
No.	Plan	Article	Quantity
1	X001424	1009752	1
2	X001470	1397900	1
3	X001474	1005641	1
4	X002396	1003675	2
5	XP00140	2990097	2
6	XP00200	2990129	4
7	XP00217	1828700	2
8	XP00233	2990144	4
9	XP00860	2992465	1
10	Y002209	1389600	1
11	Y007151	1721900	1
12	YP00727	1826382	1
13	YP00728	1826482	1
14	YP00815	1829754	1
15	YP00893	1829800	1
16	YP00894	1829500	2
17	YP00896	1836200	1
18	YP00911	1836654	1
19	YP03346	2827082	1
20	YP03348	2827154	1
21	YP03354	2827682	1
22	YP03357	2827782	1
23	YP03369	2827882	1
24	YP03370	2827982	1
25	YP03373	2828082	1
26	D 6.4	1000973	25
27	M6	1001680	10
28	---	1003299	2
29	M6x35	1006057	4
30	D10	1229600	1
31	---	1990648	3
32	---	1001584	16
33	D8	1003199	4
34	M8x35	1993236	2

Material			
No.	Plan	Article	Quantity
35	M6x55	1997879	1
36	---	1001144	1
37	M6x45	1991017	2
38	---	---	-
39	M6x16	1008459	2
40	M6x40	1006111	3
41	M6	1001520	7
42	M12x1.5	2990150	2
43	D6.4	2990046	4
44	--	PP00427	4
45	--	2990101	4
46	--	2990102	4
47	--	2990100	2
48	--	2990099	2
49	--	1993722	2
50	YP03978	28420	1
51	YP03979	28421	1
52	--	2990095	4
53	XP00138	18172	2
54	XP00817	2991001	1
55	XP04001	28428	1
56	M3.5x40	2991054	4

EP00057 / E

SEAT FRAME GEMINI 45				Plan No.
				3/3 EP00057 / E
Scale: 1:8	Drafted	Verified	Confirmed	
Date	19/07/2018	21/08/2019	21/08/2019	
Initials	AZ	PM	TK	