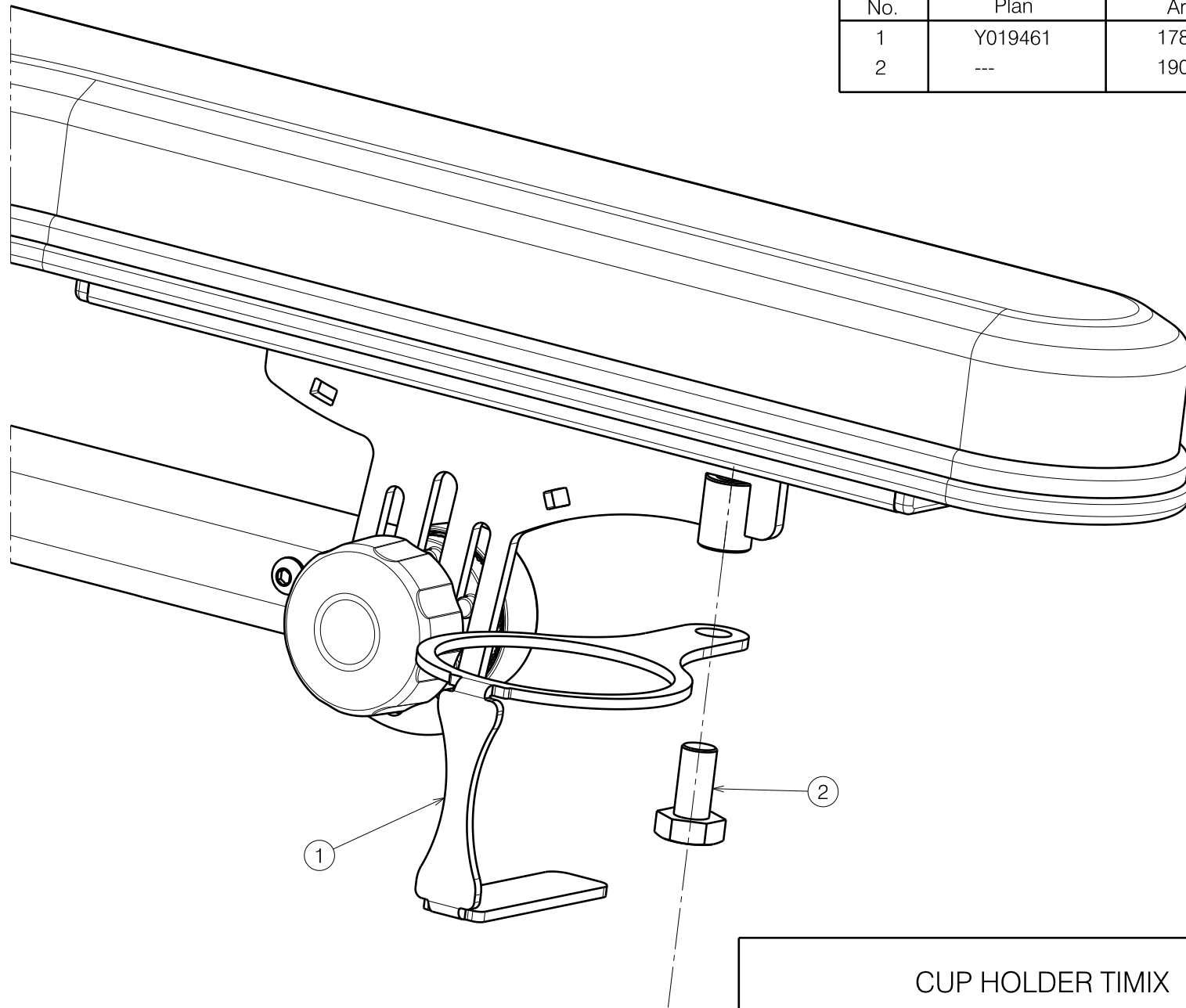


Material			
No.	Plan	Article	Quantity
1	Y019461	1786354	1
2	---	1909106	1



E000869 / A

CUP HOLDER TIMIX				Plan No.
				E000869 / A
Scale: 3:5	Drafted	Verified	Confirmed	
Date	26/02/2013	26/02/2013	26/02/2013	
Initials	SV	PA	PJ	