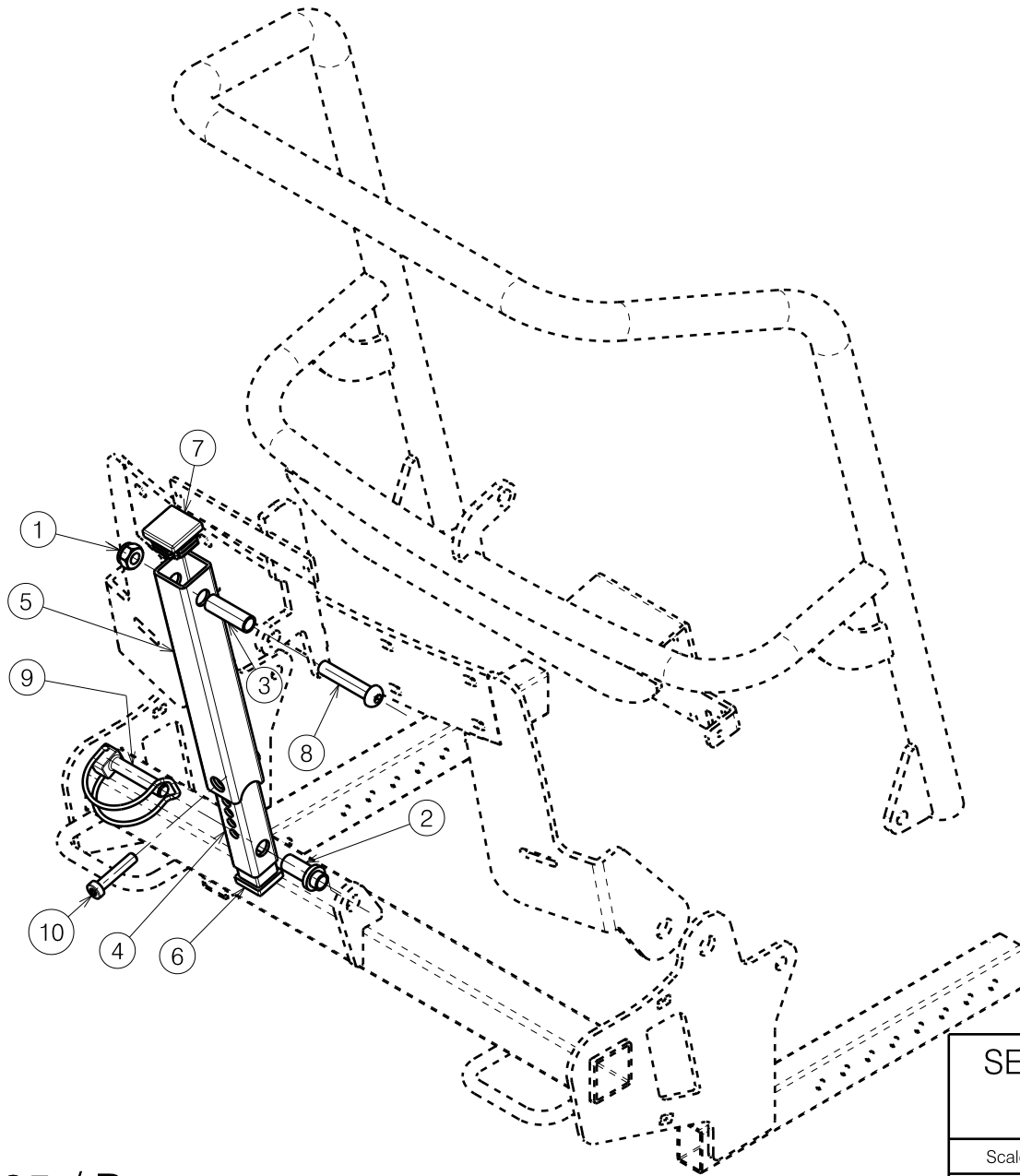



Material			
No.	Plan	Article	Quantity
1	X001016	1001682	1
2	X005471	2011600	1
3	Y021512	2011700	1
4	Y021513	2011454	1
5	Y021526	2011554	1
6	1001612	1001612	1
7	1001617	1001617	1
8	M8x40	1008739	1
9	Ø8x40	1992510	1
10	M6x30 DIN9784/8.8	1992721	1



E000985 / B

SE34 MANUAL BACK FRAME INCLINATION TIMIX/FOREST3				Plan No. E000985 / B
Scale: 1:4	Drafted	Verified	Confirmed	
Date	26/05/2015	19/10/2021	19/10/2021	
Initials	TT	SD	PJ	