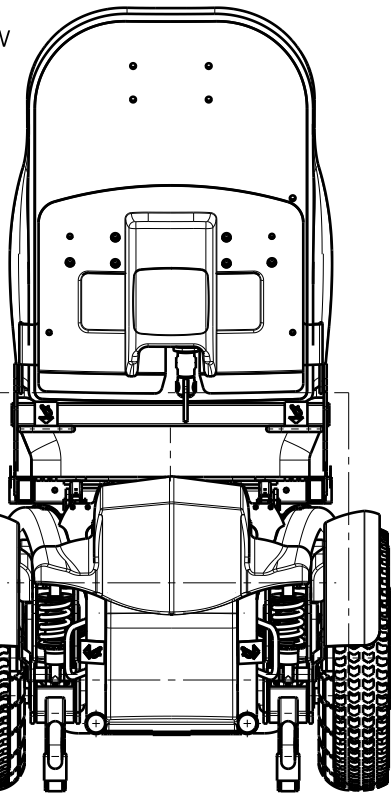
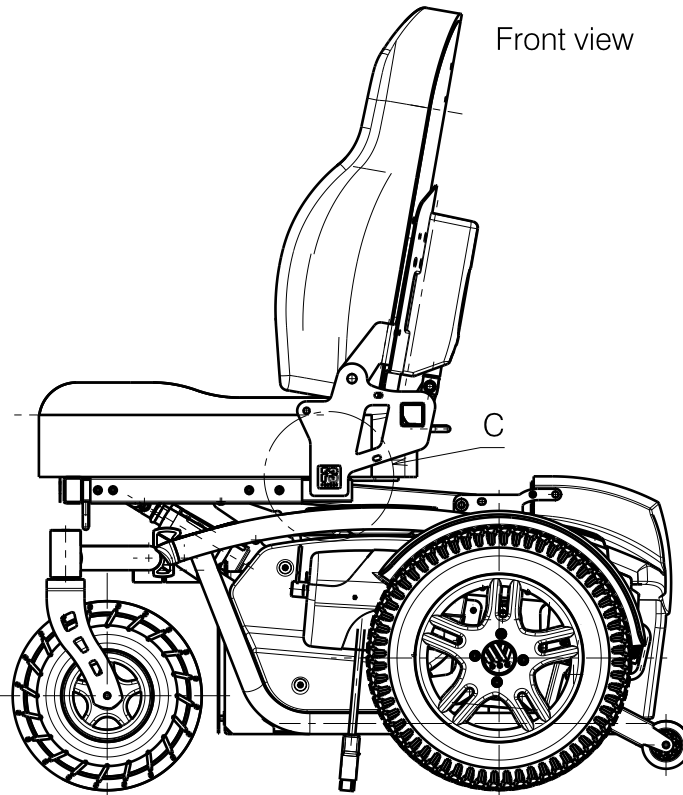


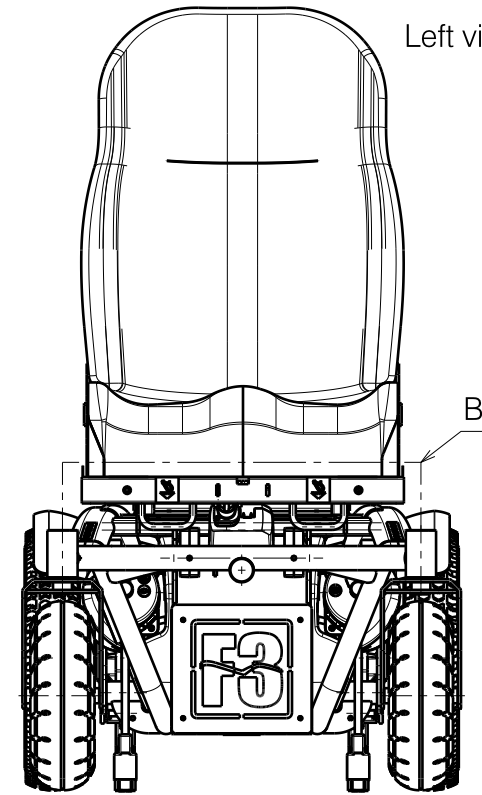
Right view



Front view



Left view

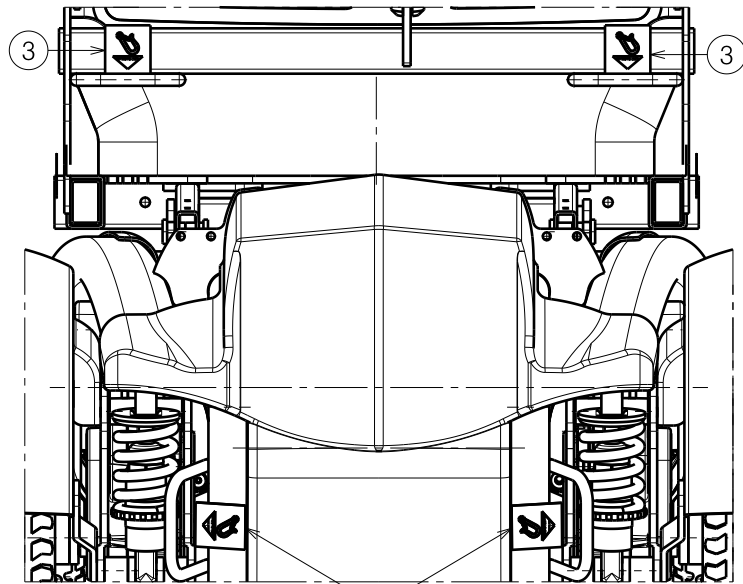


A

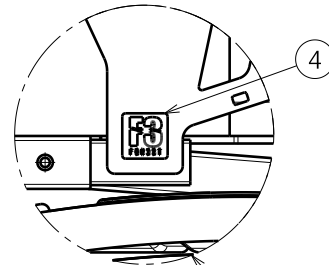
C

B

Detail A

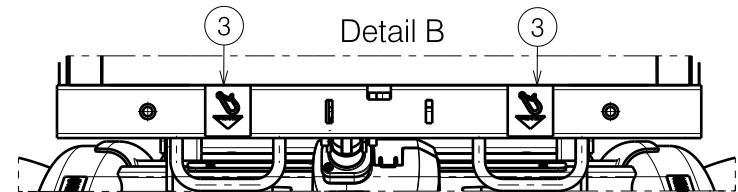


Detail C



left and right

Detail B



E000971 / C

Sheet 1/2

### STICKER CONFIGURATION FOREST 3

Plan No.

E000971 / C

Scale: 1:10

Drafted

Verified

Confirmed

Date

15/10/2014

27/01/2015

27/01/2015

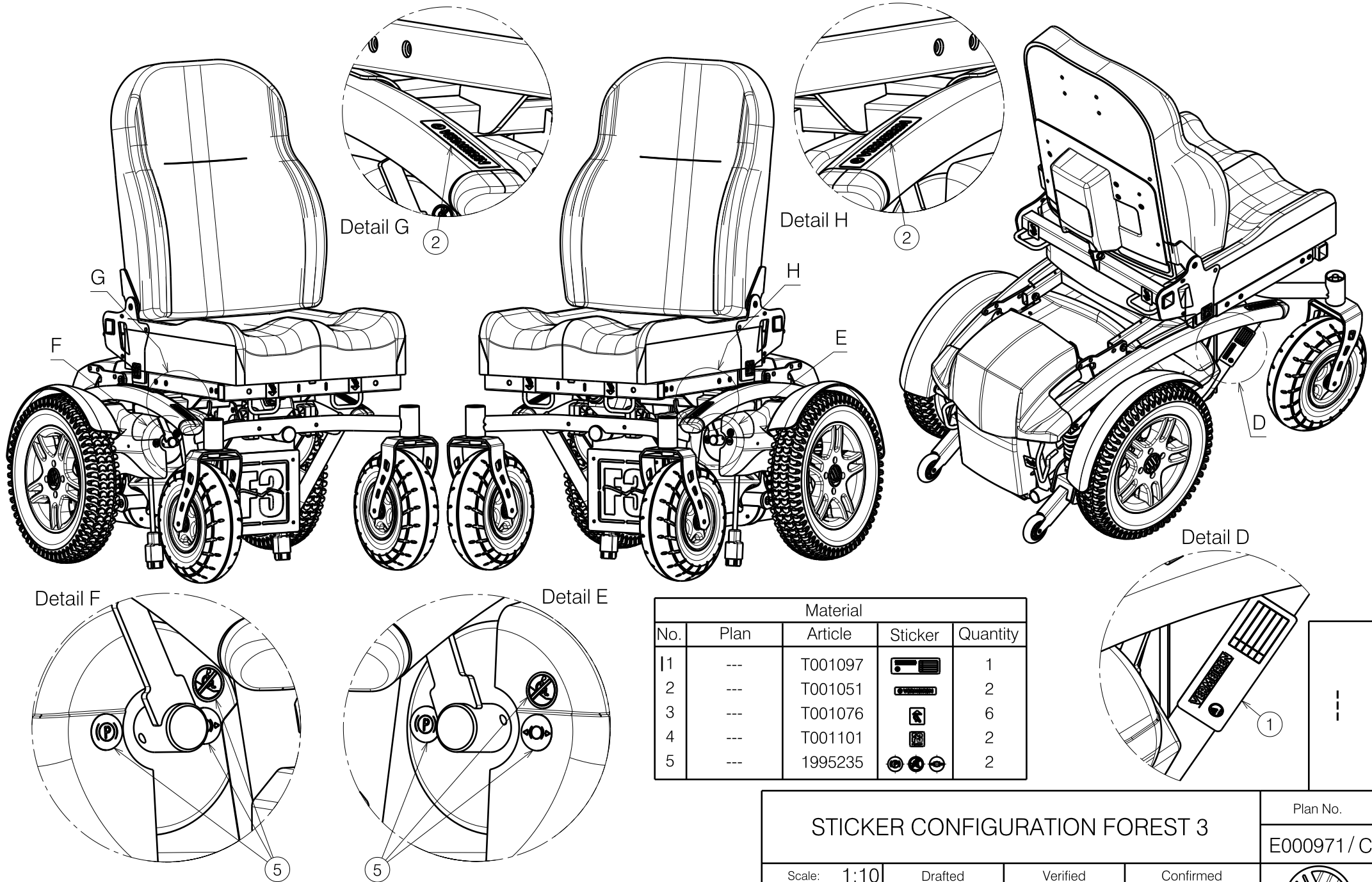
Initials

TT

TT

PJ





Material				
No.	Plan	Article	Sticker	Quantity
1	---	T001097		1
2	---	T001051		2
3	---	T001076		6
4	---	T001101		2
5	---	1995235		2

STICKER CONFIGURATION FOREST 3				Plan No.
				E000971 / C
Scale: 1:10	Drafted	Verified	Confirmed	
Date	15/10/2014	27/01/2015	27/01/2015	
Initials	TT	TT	PJ	

E000971 / C