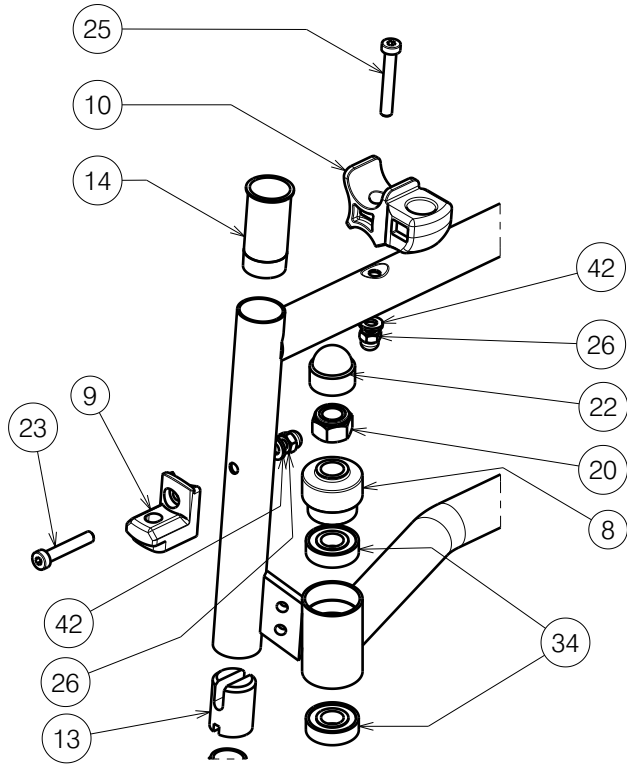
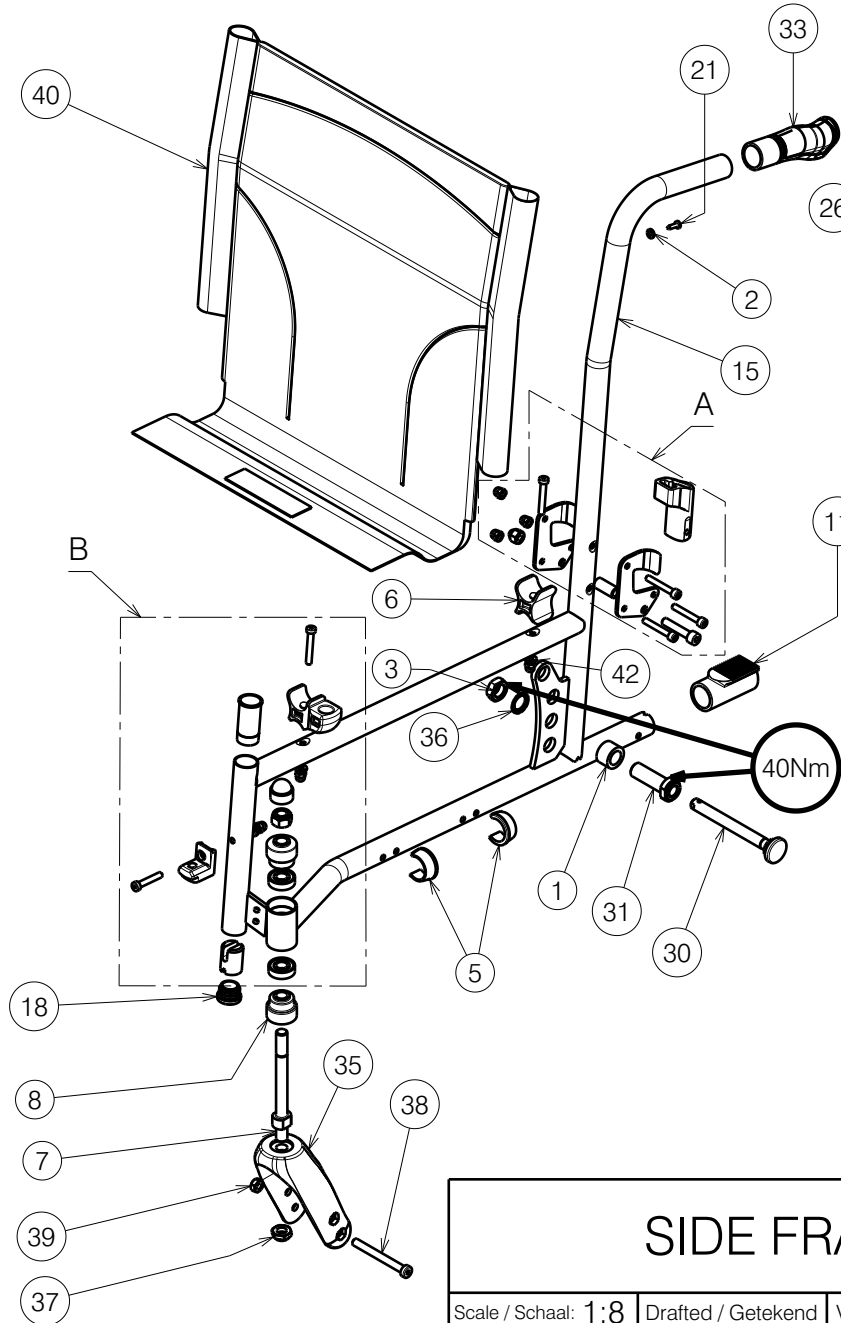
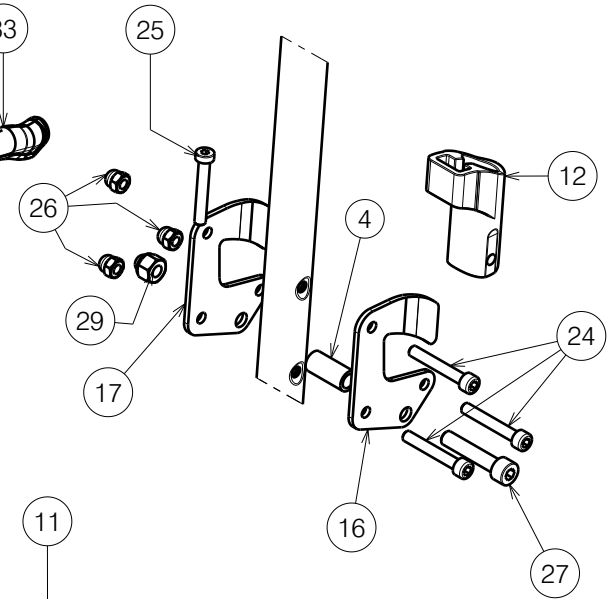


Detail B
Scale: 1:4




Detail A
Scale: 1:4



Left side only depicted


Page 1/2

E000617 / O

<h1>SIDE FRAME V100</h1>				Plan No. / Plannr.
				E000617 / O
Scale / Schaal: 1:8	Drafted / Getekend	Verified / Nagezien	Confirmed / Bevestigd	
Date / Datum	20/04/2010	24/11/2023	24/11/2023	
Init. / Init.	DD	PM	AS	

Material / Materiaal							
No. / Nr.	Plan	Article / Artikel	Quantity / Aantal	No. / Nr.	Plan	Article / Artikel	Quantity / Aantal
1	X003986	1902199	2	26	M6 DIN986	1008492	12
2	M5 DIN125	1001550	2	27	M8x40 DIN912	1001500	2
3	X002437	1992699	2	29	M8 DIN986	1902024	2
4	X003204	1585100	2	30	XC00037	3990106	2
5	X004308	1904129	4	31	X005828	1905244	2
6	X004309	1904133	2	33	X005514	1906244	2
7	X004406	1722400	2	34	6001-2Z	1992559	4
8	X004407	1904573	4	35	---	1992599	2
9	X004415	17193	2	36	M16 type S DIN17222	1911653	2
10	X004420	1904134	2	37	M12x1.25	1994605	2
11	X004469	1905045	2	38	M8x76 DIN7984	1998993	2
12	X004487	1904581	2	39	M8	1998994	2
13	X004568	1904657	2	40	---	1905667 (39)	1
14	X004574	1904658	2		---	1905668 (42)	1
15	Y014485	17241.. (L)	1		---	1905669 (44)	1
	Y014493	17242.. (R)	1		---	1905670 (46)	1
16	Y016062	1736054	2		---	1905671 (48)	1
17	Y016063	1736154	2		---	1905672 (50)	1
18	D25	1001608	2	42	M6 DIN125	1001564	6
20	M12 DIN985	1001684	2				
21	D4x16	1003021	2				
22	--	1003294	2				
23	M6x35 DIN7984	1903903	2				
24	M6x40 DIN912	1003909	6				
25	M6x40 DIN7984	1006850	4				

E000617 / O

SIDE FRAME V100				Plan No. / Plannr.
				E000617 / O
Scale / Schaal: 1:8	Drafted / Getekend	Verified / Nagezien	Confirmed / Bevestigd	
Date / Datum	20/04/2010	24/11/2023	24/11/2023	
Init. / Init.	DD	PM	AS	