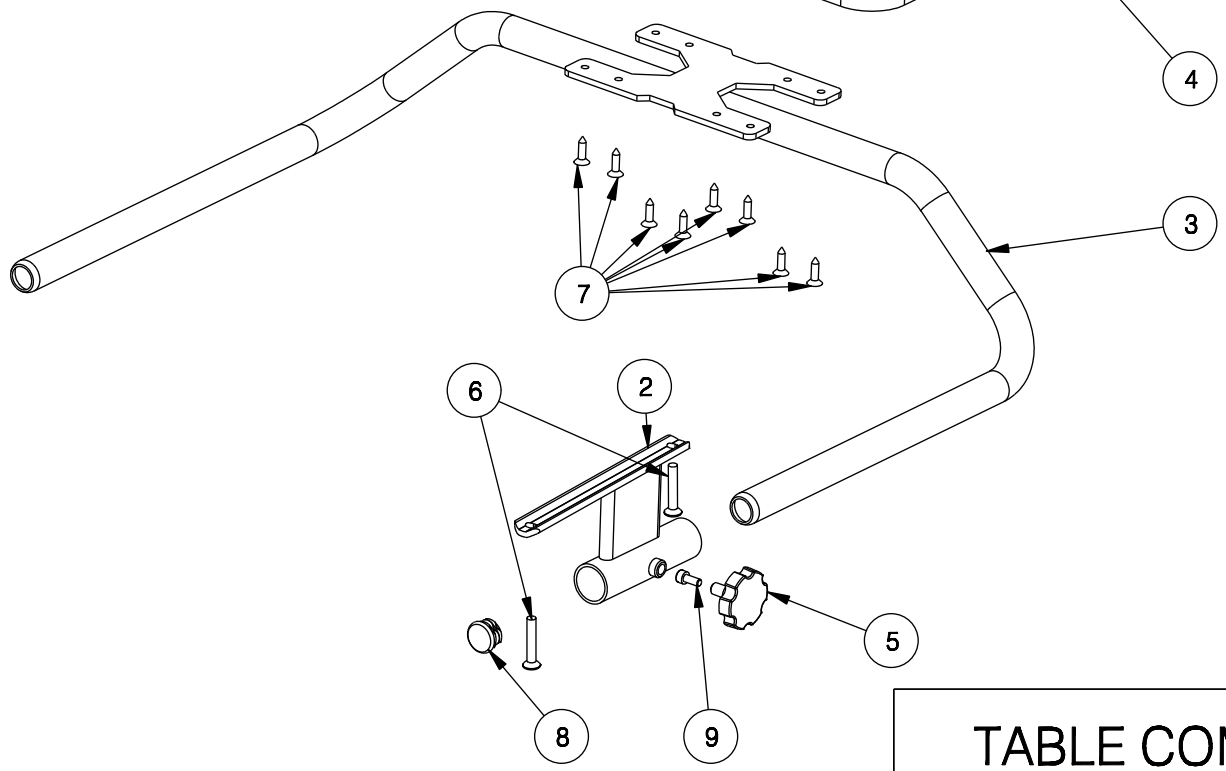
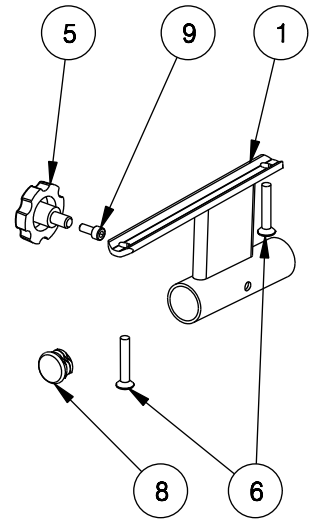
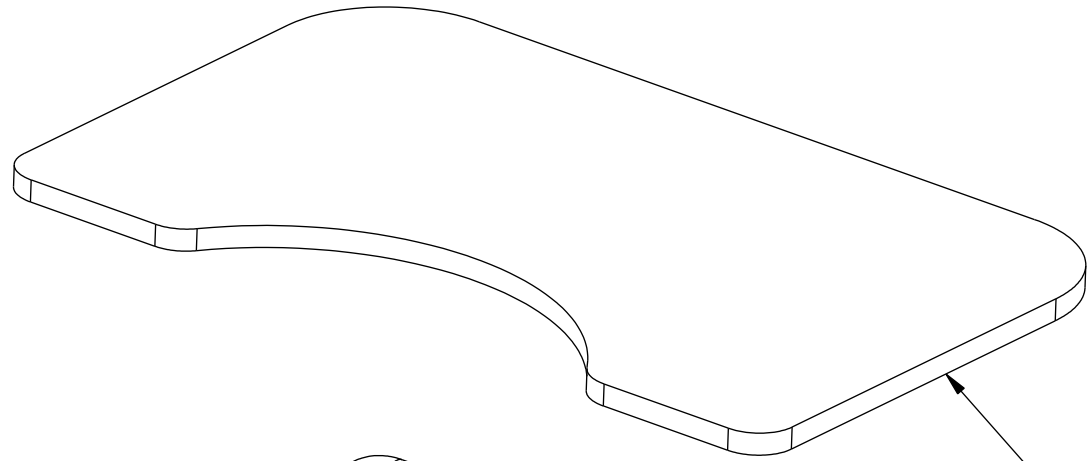


Material			
No.	Plan	Article	Number
1	YC00478	1C208	1
2	YC00477	1C207	1
3	YC00517	1C215	1
4	YC04137	3994433	1
5	XC00383	3991588	2
6	---	1006057	4
7	---	1003021	8
8	---	1990648	2
9	---	1001489	2



EC00093/F

<h1>TABLE COMFORT CHAIR</h1>				Plan Number
				EC00093/F
Scale: 1:5	Drafted	Verified	Confirmed	
Date	01/06/2020	24/05/2022	24/05/2022	
Initials	AL	Puff	JJQ	