

Normandie XXL		
No.	Plan	Description
1	E00043974	Frame + Backrest + Armrest
2	E000606	Seat
3	E000607	Legrest
4*	E00043967	Options
5*	XP02572	Carton box

Normandie XXL Without Wheels		
No.	Plan	Article
1	E000602	Frame + Backrest + Armrest
2	E000606	Seat
3	E000607	Legrest
4*	E00043967	Options
5*	XP02572	Carton box



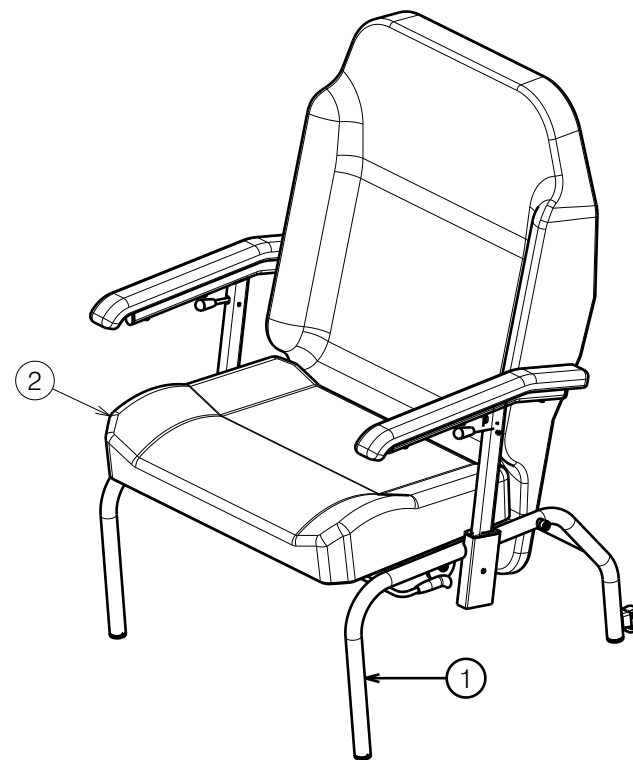
* - not depicted

NORMANDIE XXL / LANGUEDOC XXL				---
				Plan No. E00043975/B1.1
Scale: 1:15	Drafted	Verified	Confirmed	1/2
Date	2022-10-06	13/09/2023	13/09/2023	
Initials	AZ	PM	AZ	



Languedoc XXL		
No.	Plan	Description
1	E000608	Frame + Backrest + Armrest
2	E000606	Seat
3*	E00043967	Options
4*	XP02572	Carton box

Languedoc XXL Without Wheels		
No.	Plan	Article
1	E00044833	Frame + Backrest + Armrest
2	E000606	Seat
3*	E00043967	Options
4*	XP02572	Carton box



* - not depicted

NORMANDIE XXL / LANGUEDOC XXL				---
				Plan No. E00043975/B1.1
Scale: 1:15	Drafted	Verified	Confirmed	2/2
Date	2022-10-06	13/09/2023	13/09/2023	
Initials	AZ	PM	AZ	

