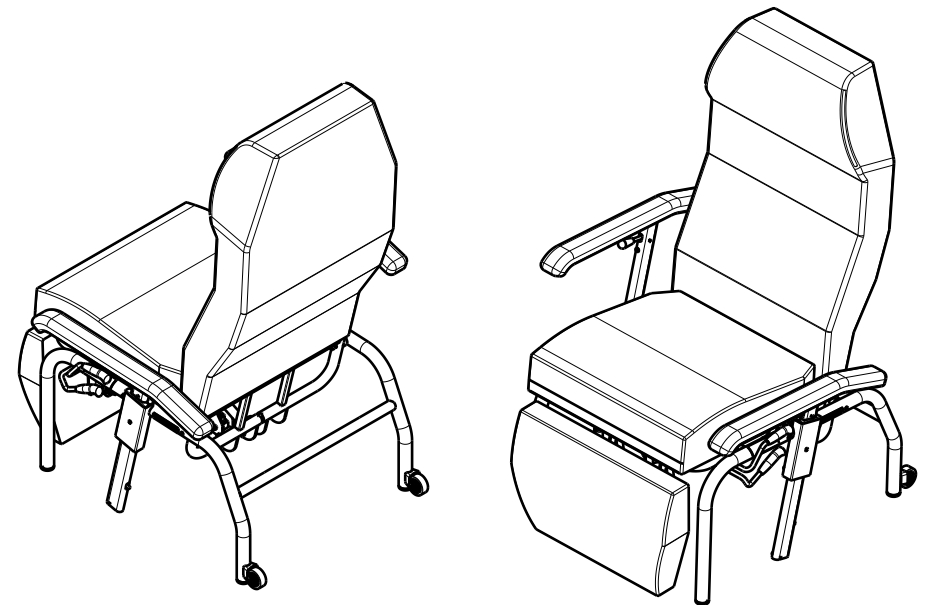
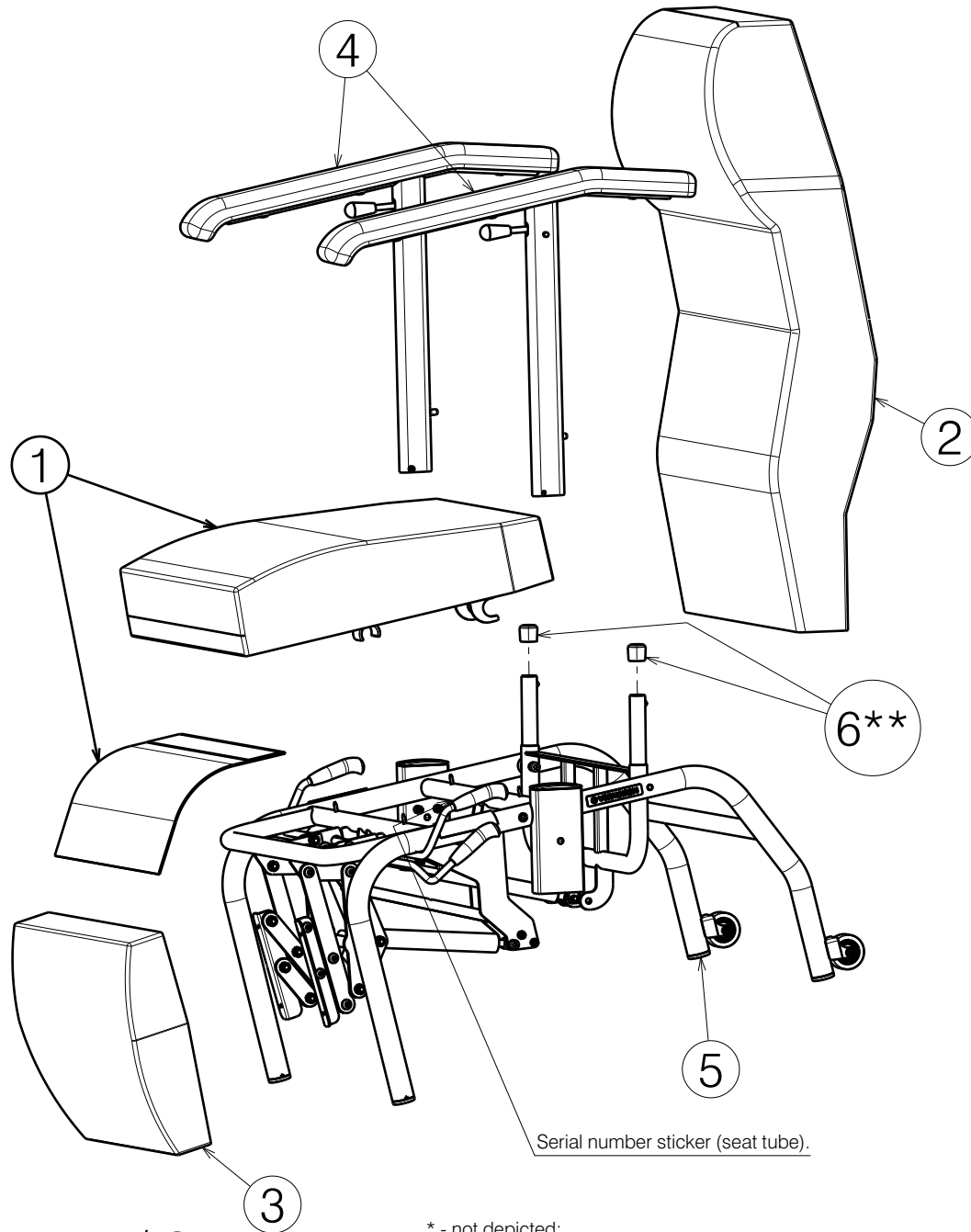



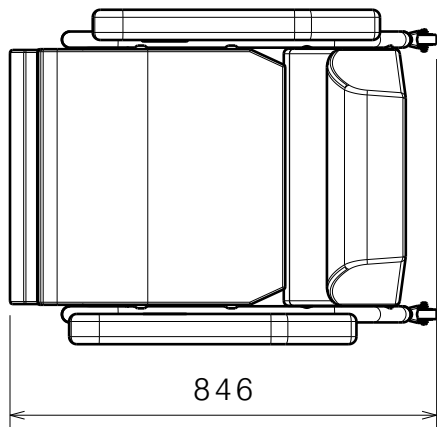
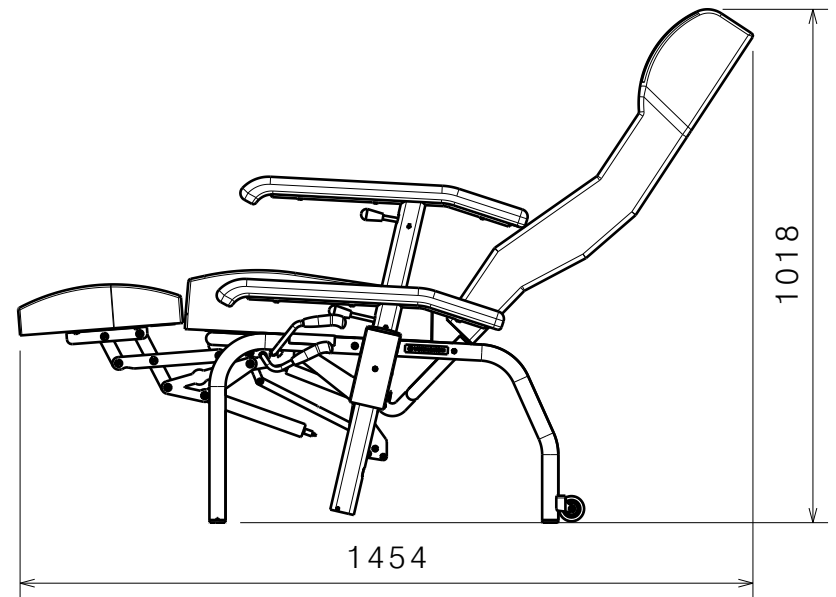
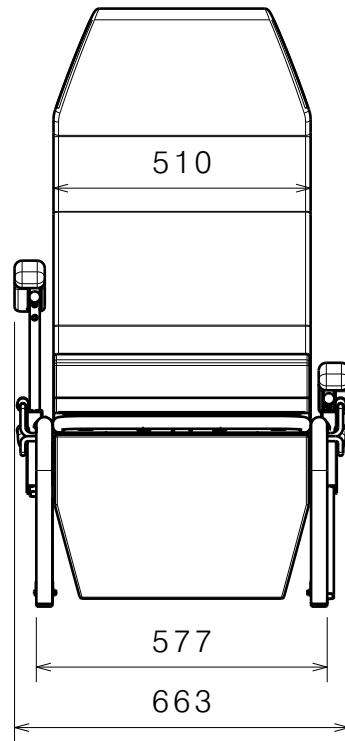
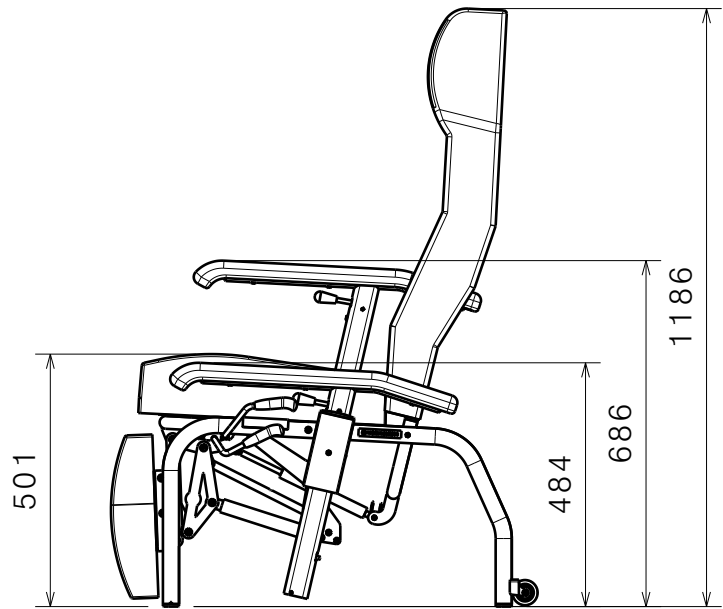
Material			
No.	Plan	Article	Quantity
1	EP00531	2994887	1
2	EP00549	2994988	1
3	EP00533	2994889	1
4	EP00534	2994890	1
5	EP00610	2995254	1
6**	Cap D22	1001625	2
7*	XP03295	U000434	1




EP00611 / C

\* - not depicted;  
 \*\* - use only in transport to protect upholstery - see packing instruction;  
 \*\*\* - SOP: S-BE.90.04 - packing instruction.

SPECIFICATION / NORMANDIE 2020 2F				Plan No.
WITHOUT WHEELS				1/2 EP00611 / C
Scale: 1:10	Drafted	Verified	Confirmed	
Date	24/09/2021	07/08/2023	07/08/2023	
Initials	AZ	PM	AZ	



EP00611 / C

SPECIFICATION / NORMANDIE 2020 2F				Plan No.
WITHOUT WHEELS				2/2 EP00611 / C
Scale: 1:15	Drafted	Verified	Confirmed	
Date	24/09/2021	07/08/2023	07/08/2023	
Initials	AZ	PM	AZ	