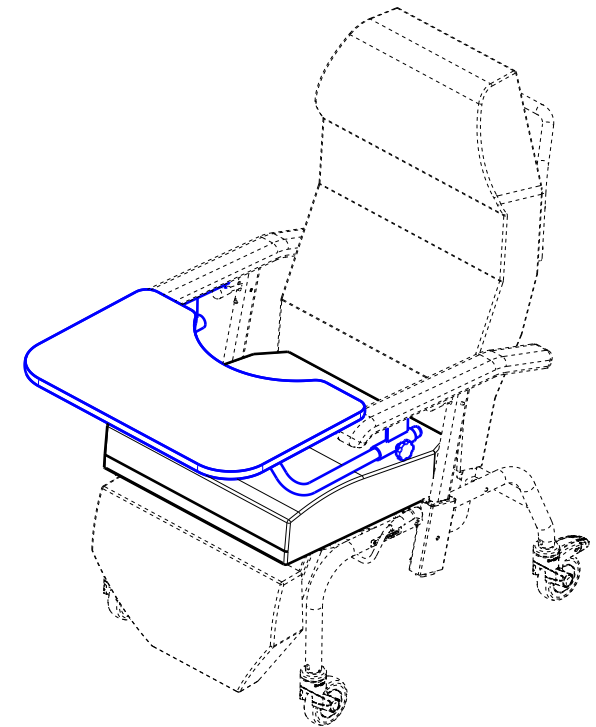


Material			
No.	Plan	Article	Quantity
1	Y012628	1671965	1
2	Y012629	1672065	1
3	Y012644	1672101	1
4	X001473	1002994	8
5	XP03392 (Black)	HP00764	1
6	D4.8x19 DIN 7983	1001534	8
7	M6x35	1006057	4
8	Sterknop M8x12	1999934	2

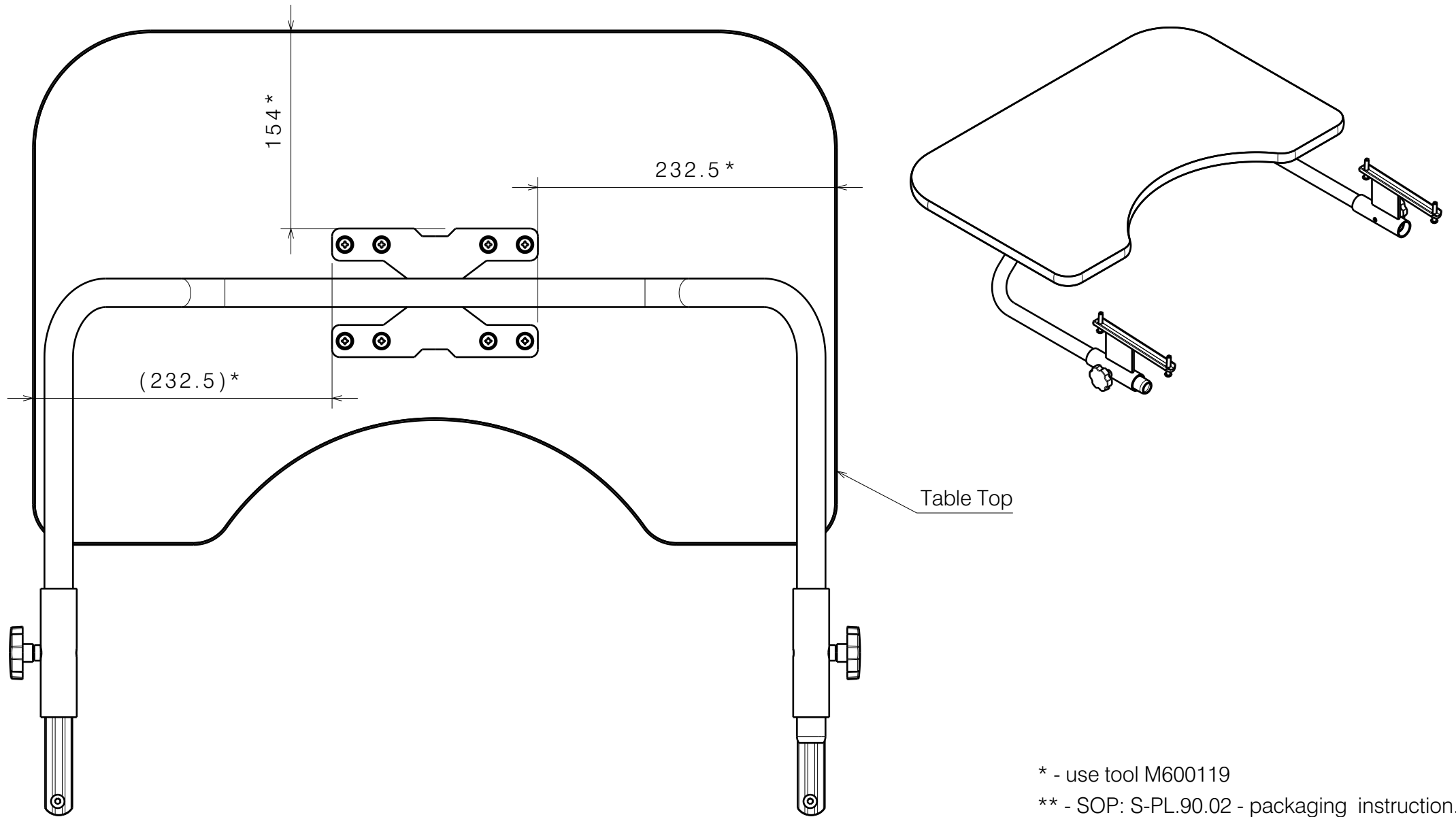


EP00635 / C

* - use tool M600119 (2/2)
 ** - SOP: S-PL.90.02 - packaging instruction.

B12 TABLE / NORMANDIE 2020				Plan No.
				1/2 EP00635 / C
Scale: 1:6	Drafted	Verified	Confirmed	
Date	01/02/2022	18/08/2022	18/08/2022	
Initials	AZ	PM	AZ	

POSITION OF THE TABLE TOP



* - use tool M600119

** - SOP: S-PL.90.02 - packaging instruction.

EP00635 / C

B12 TABLE / NORMANDIE 2020				Plan No.
				2/2 EP00635 / C
Scale: 1:6	Drafted	Verified	Confirmed	
Date	01/02/2022	18/08/2022	18/08/2022	
Initials	AZ	PM	AZ	