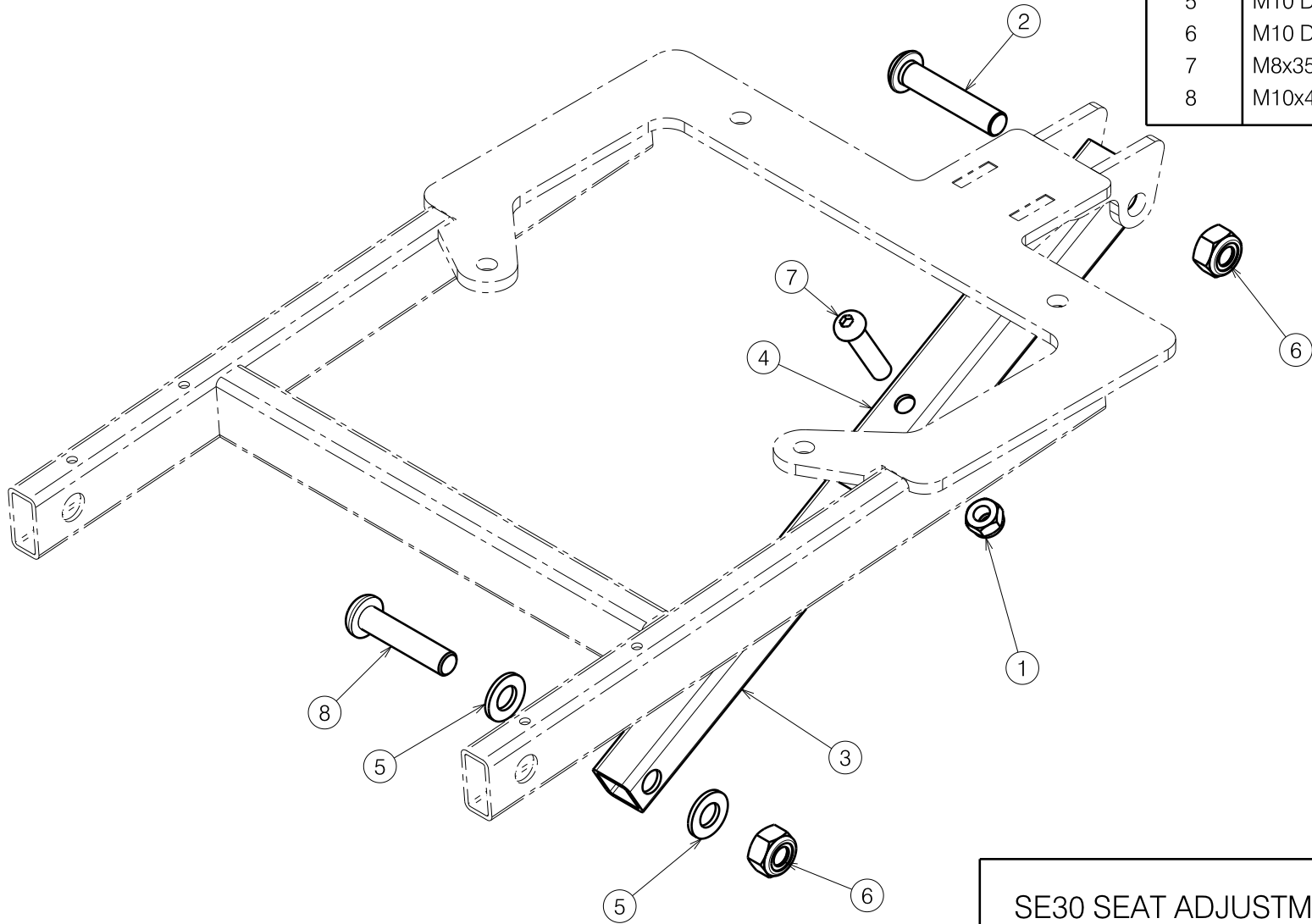



Material			
No.	Plan	Article	Quantity
1	X001016	1001682	1
2	X002381	1009335	1
3	Y019503	1785354	1
4	Y019507	1785554	1
5	M10 DIN125	1001558	2
6	M10 DIN985	1001683	2
7	M8x35 ISO7380	1993236	1
8	M10x45 ISO7380	1908848	1



E000992 / A

SE30 SEAT ADJUSTMENT TIMIX/FOREST 3				Plan No.
				E000992 / A
Scale: 2:5	Drafted	Verified	Confirmed	
Date	22/06/2015	22/06/2015	22/06/2015	
Initials	SD	SD	PJ	