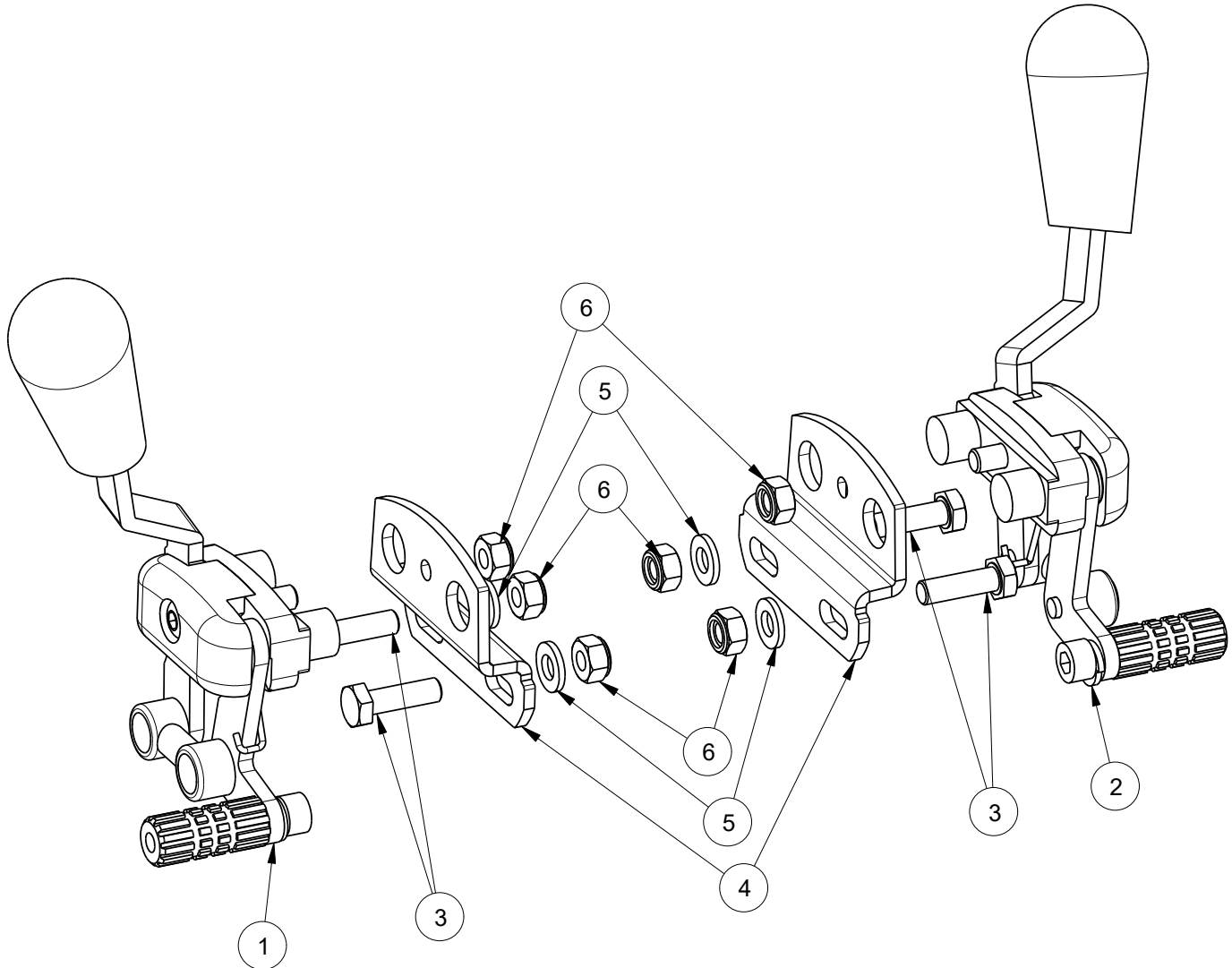


Material			
No.	Plan	Article	Number
1	EC00209	3991532	1
2	EC00210	3991533	1
3	---	1001430	4
4	YC01978	1C71254	2
5	---	1001564	4
6	---	1001680	6



EC00380/A

<b>BRAKE FOR 9302</b>				Plan No.
				EC00380/A
Scale:1:1	Drafted	Verified	Confirmed	
Date	01/12/2016	01/12/2016	01/12/2016	
Init.	SL	JJQ	TG	