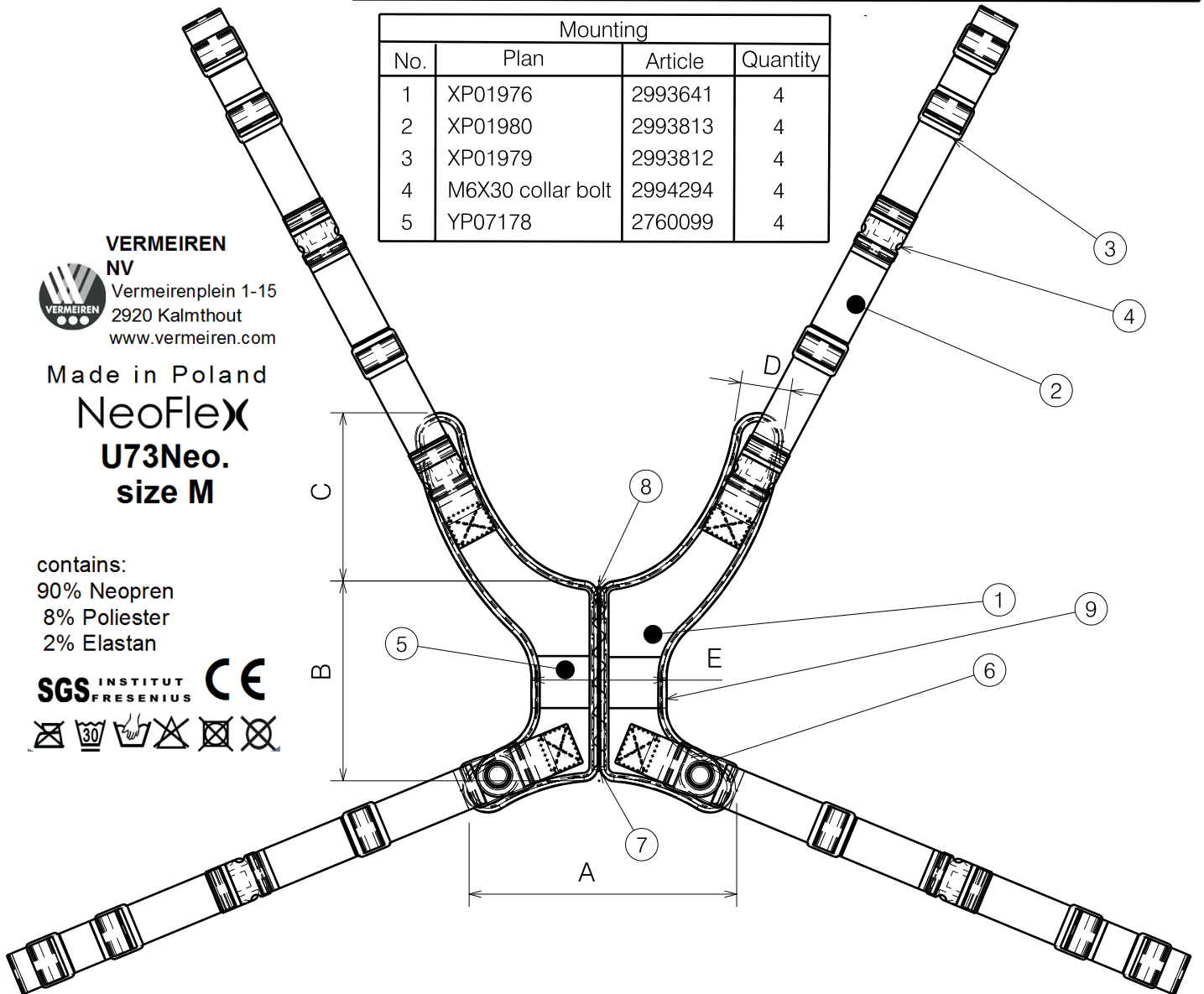
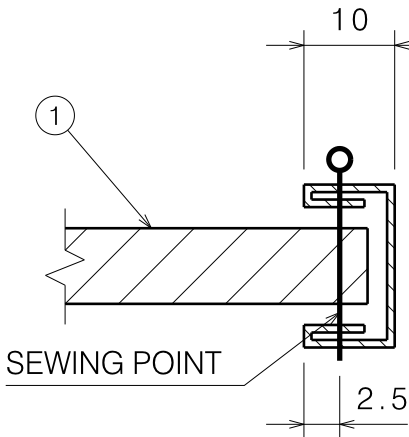


Material						
No.	Article	XS	S	M	L	XL
1	2991014	0,058	0,069	0,115	0,17	0,24
2	1009517	4,6	4,6	4,6	4,6	4,6
3	1009512	12	12	12	12	12
4	1009508	6	6	6	6	6
5	2990337	0,001	0,001	0,001	0,001	0,001
6	2991191	2	2	2	2	2
7	1995604	0,10	0,14	0,18	0,23	0,23
8	1995605	1	1	1	1	1
9	2991886	2	2,5	3	3,5	4

	Sizes [cm]					Article	
	A	B	C	D	E	FR	BK
XS	22	13	13	4	9	2991088	2990674
S	23	14	16	4	12	2991245	2990675
M	30	18	20	4	13	2991246	2990676
L	38	21	23	6	13	2991247	2991086
XL	46	25	27	6	16	2991248	2991087

Mounting			
No.	Plan	Article	Quantity
1	XP01976	2993641	4
2	XP01980	2993813	4
3	XP01979	2993812	4
4	M6X30 collar bolt	2994294	4
5	YP07178	2760099	4



VERMEIREN NV
 Vermeirenplein 1-15
 2920 Kalmthout
 www.vermeiren.com

Made in Poland
NeoFlex
U73Neo.
 size M

contains:
 90% Neopren
 8% Poliester
 2% Elastan



EP00343 / B

NEO U73W NEOFLEX STABILIZATION VEST				Plan No. EP00343/ B
Scale: N/A	Drafted	Verified	Confirmed	
Date	31/07/2018	04/03/2019	04/03/2019	
Initials	FD	AS	TK	