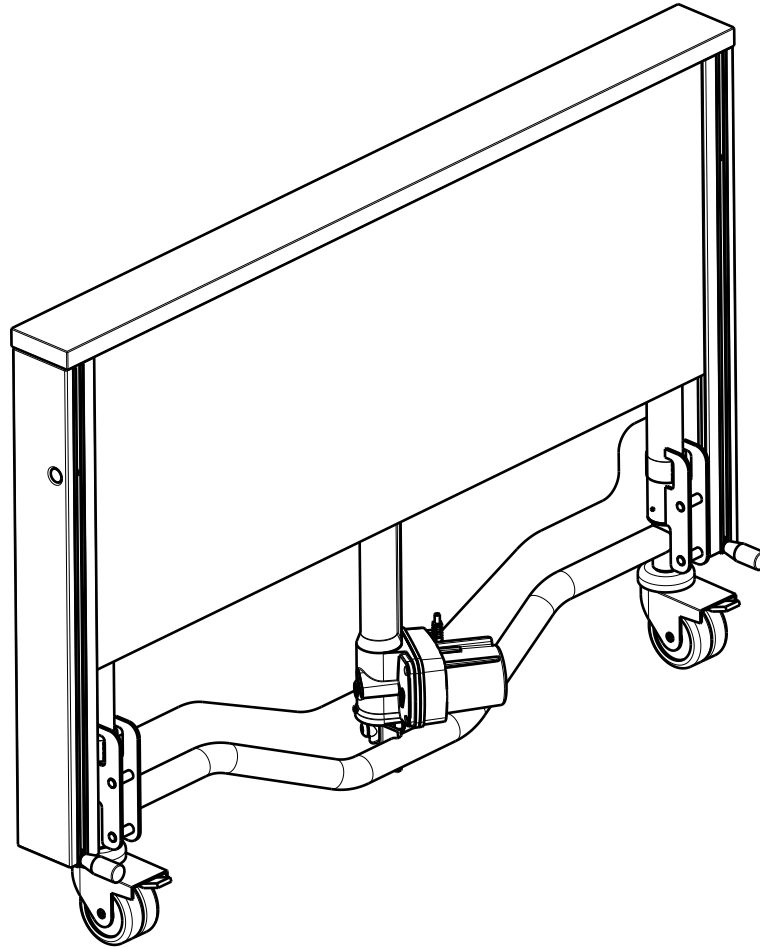
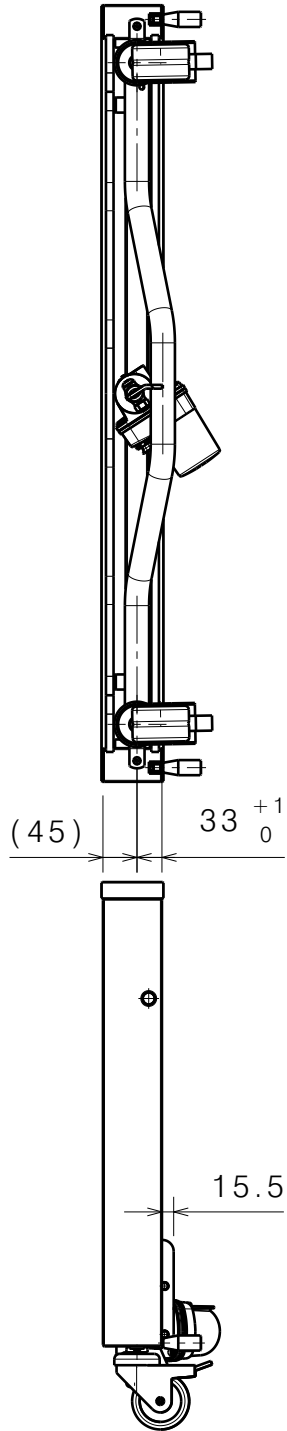


NOTICE: THE INFORMATION CONTAINED ON THIS DRAWING IS PROPRIETARY TO VERMEIREN GROUP AND SHALL NOT BE DISCLOSED IN WHOLE OR IN PART, OR USED FOR ANY DESIGN OR MANUFACTURE, EXCEPT WHEN SUCH USER POSSESSES DIRECT WRITTEN AUTHORISATION FROM VERMEIREN GROUP.

FRONT/REAR PANEL / CLUB UL			
Scale:	1:8	Drafted	Verified
Date	21.03.2023	26/06/2023	26/06/2023
Initials	AZ	OY	AZ

Plan No.
E00054787/A2.1

Wooden panel position:



No.	Plan	Article	Qty
1	P00049698	2669937	1
2	P00049694	2670037	1
3	P00038021	2995533	2
4	Y016113	1904999	2
5	X001497	1401900	2
6	X002822	1995716	2
7	X004564	1904874	2
8	XP01397	2702400	2
9	XP03052	2730537	2
10	XP03053	2996634	1
11	D6,4 DIN125A	1001564	2
12	M12 DIN127A	1001572	2
13	---	1008656	2
14	D2,9X13 DIN7981	1008675	10
15	M12x30 DIN912	1009318	2
16	M10x35 ISO7380	1009442	1
17	Panel Motor LA24	1918547	1
18	M10x40 ISO7380	1992592	1
19	D3x8MM DIN7343	1993130	4
20	D4,8x22 DIN7981	2990070	2
21	M10 DIN985	1001683	2
22	Wheels D75	1998658	2

NOTICE: THE INFORMATION CONTAINED ON THIS DRAWING IS PROPRIETARY TO VERMEIREN GROUP AND SHALL NOT BE DISCLOSED IN WHOLE OR IN PART, OR USED FOR ANY DESIGN OR MANUFACTURE, EXCEPT WHEN SUCH USER POSSESSES DIRECT WRITTEN AUTHORISATION FROM VERMEIREN GROUP.

FRONT/REAR PANEL / CLUB UL				---
				Plan No. E00054787/A2.1
Scale: 1:10	Drafted	Verified	Confirmed	
Date	21.03.2023	26/06/2023	26/06/2023	
Initials	AZ	OY	AZ	