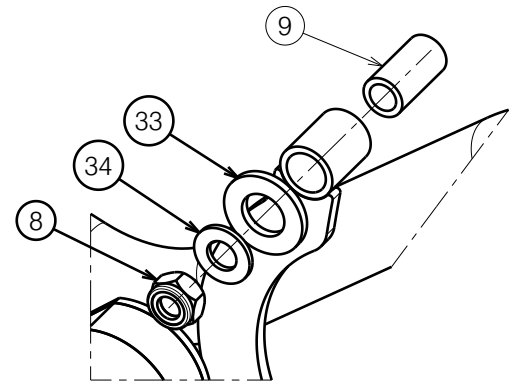



Detail A
Scale: 1:2



Detail B
Scale: 1:2

Sheet 1/2

E001056 / H

| | | | | |
|----------------------|------------|------------|------------|---|
| MOTOR SET INOVYS 2-E | | | | Plan No. |
| | | | | E001056 / H |
| Scale: 11:50 | Drafted | Verified | Confirmed |  |
| Date | 14/10/2016 | 26/01/2023 | 26/01/2023 | |
| Initials | SD | DR | AZ | |

2993366

| Material | | | |
|----------|-----------------|---------|----------|
| No. | Plan | Article | Quantity |
| 1 | Y021572 | 2022954 | 1 |
| 2 | Y021954 | 2023154 | 1 |
| 3 | Y021955 | 2022854 | 2 |
| 4 | M4 DIN985 | 2994901 | 2 |
| 5 | Y022438 | 2049354 | 1 |
| 6 | M5 DIN985 | 2994006 | 6 |
| 7 | M6 DIN985 | 2994063 | 4 |
| 8 | M8 DIN985 | 2994009 | 4 |
| 9** | X005710 | 2026200 | 2 |
| 10 | Y022608 | F007420 | 2 |
| 11 | M4x12 DIN963 | 1919449 | 2 |
| 12 | M6x16 ISO7380 | 2994067 | 6 |
| 13 | Ø8x40 | 1992510 | 1 |
| 14 | M6x30 ISO7380 | 2994129 | 2 |
| 15 | M5x30 DIN912 | 1919450 | 4 |
| 16 | Act. TA9 | 1912783 | 2 |
| 17 | Batt. TBB2 | 1912784 | 1 |
| 18* | Charg. TP8-11A3 | 1914468 | 1 |
| 19 | Hand. TH21 | 1912786 | 1 |
| 20 | Hub TJB5 | 1912787 | 1 |
| 21 | Cable TYC | 1914469 | 1 |
| 22 | M8x50 ISO7380 | 1915952 | 1 |
| 23 | M5x20 DIN912 | 1915452 | 2 |
| 24 | Y022168 | 2038754 | 1 |
| 25 | Ø4x16 | 1919451 | 2 |
| 26* | --- | 1912887 | 1 |
| 27 | X005575 | 2023600 | 2 |
| 28 | M8x55 ISO7380 | 1919452 | 1 |
| 29 | M8x45 ISO7380 | 1915945 | 1 |
| 30** | M8x80 ISO7380 | 1919453 | 2 |
| 31** | Y022603 | 2026354 | 1 |
| 32** | Y022604 | 2026454 | 1 |
| 33** | M12 | 1916509 | 2 |
| 34** | M8 DIN126 | 1996214 | 2 |

E001056 / H

* Not depicted

** Used for seat width 40 cm, for SW 45 and 50 see E000383
 Item 35: see E000383 for article numbers for SW 40-45-50

2993366

| | | | | |
|-----------------------------------|------------|------------|------------|---|
| MOTOR SET INOVYS 2-E Sheet 2/2 | | | | Plan No. |
| | | | | E001056 / H |
| Scale: 11:50 | Drafted | Verified | Confirmed |  |
| Date | 14/10/2016 | 26/01/2023 | 26/01/2023 | |
| Initials | SD | DR | AZ | |