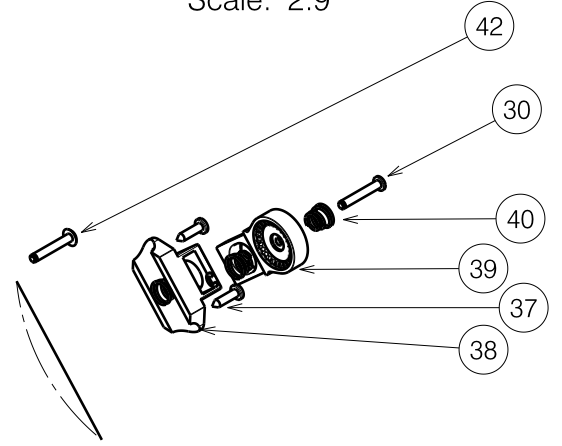


Detail A
Scale: 2:9



Detail B
Scale: 2:9


EP00059 / B

LOWER FRAME GEMINI 45				Plan No.
				EP00059 / B
Scale: 1:9	Drafted	Verified	Confirmed	
Date	08/11/2011	09/11/2011	09/11/2011	
Initials	AS	BS	TK	

Material			
No.	Plan	Article	Quantity
1	YP03336	2827382	1
2	YP03334	2827282	1
3	YP03352	2827582	2
4	YP03351	2827482	1
5	YP03390	2828382	1
6	YP00898	1835000	1
7	YP00773	1828154	2
8	YP00772	1828054	2
9	Right	1906597	1
10	Left	1906596	1
11	XP00226	2990146	2
12	XP00227	2990147	2
13	---	1006111	9
14	---	1001680	10
15	---	1000973	17
16	---	1006999	2
17	---	1001572	2
18	---	1991447	2
19	---	1001682	2
20	---	1990507	2
21	---	H016007	4
22	XP00228	2990148	2

Material			
No.	Plan	Article	Quantity
23	X002698	1552300	2
24	XP00224	1835100	2
25	---	1001608	2
26	XP00859	2992464	2
27	---	2990094	2
28	---	1993722	6
29	---	2990093	2
30	X002506	1525200	4
31	---	2990084	2
32	---	2990149	1
33	XP00079	2990034	2
34	---	2990087	1
35	---	2990085	1
36	---	2990046	2
37	---	2990326	4
38	---	2990099	2
39	---	2990100	2
40	---	2990102	4
41	---	2990089	2
42	XP00138	1817200	4

EP00059 / B

LOWER FRAME GEMINI 45				Plan No.
				EP00059/ B
Scale: 1:9	Drafted	Verified	Confirmed	
Date	08/11/2011	09/11/2011	09/11/2011	
Initials	AS	BS	TK	