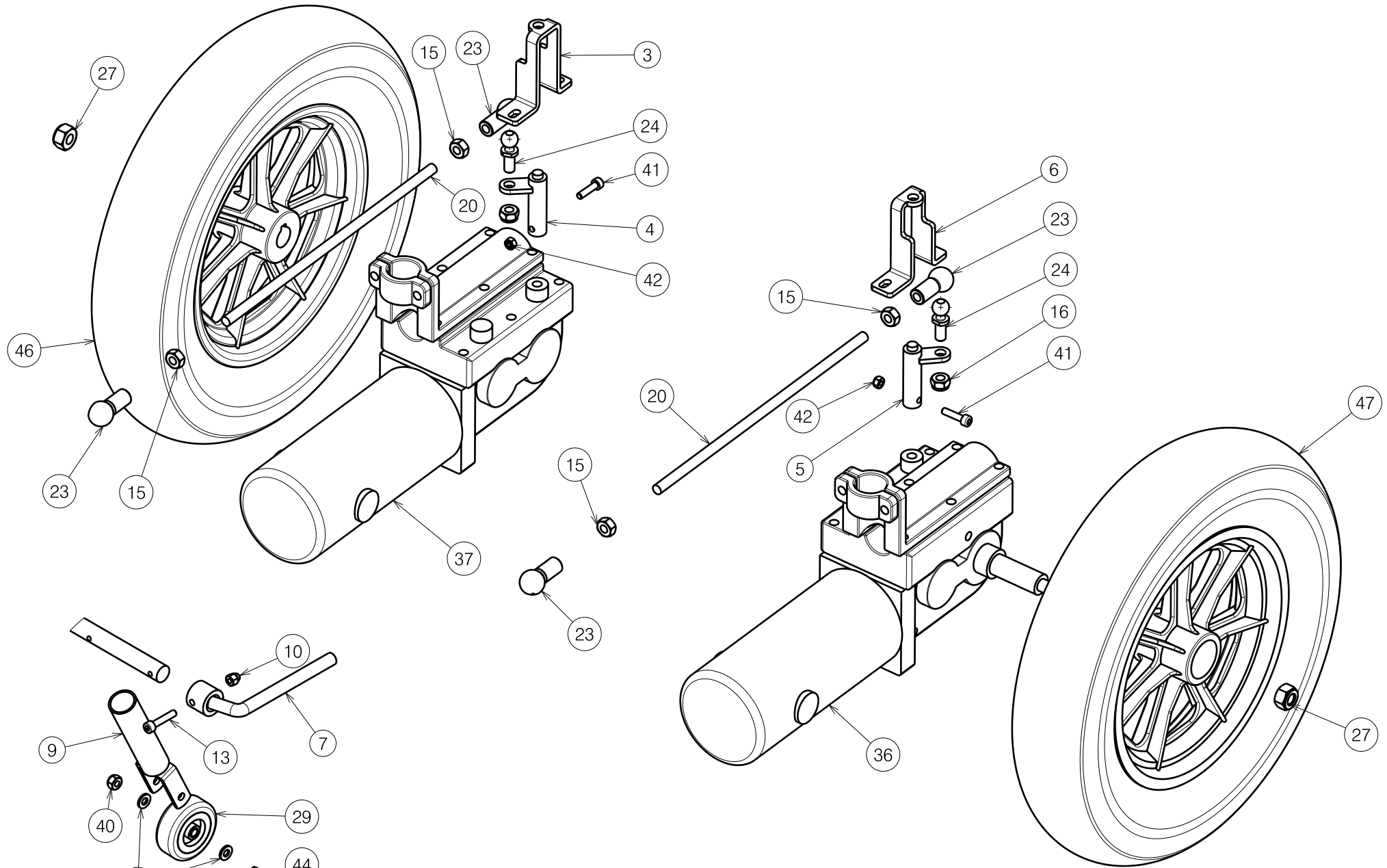


SEAT FRAME SQUOD ZIT FRAME SQUOD				Plan No. / Plannr. E000222/C
Scale / Schaal: 3:20	Drafted / Getekend	Verified / Nagezien	Confirmed / Bevestigd	
Date / Datum	16/08/2005	18/11/2008	18/11/2008	
Init. / Init.	PS	SD	PJ	



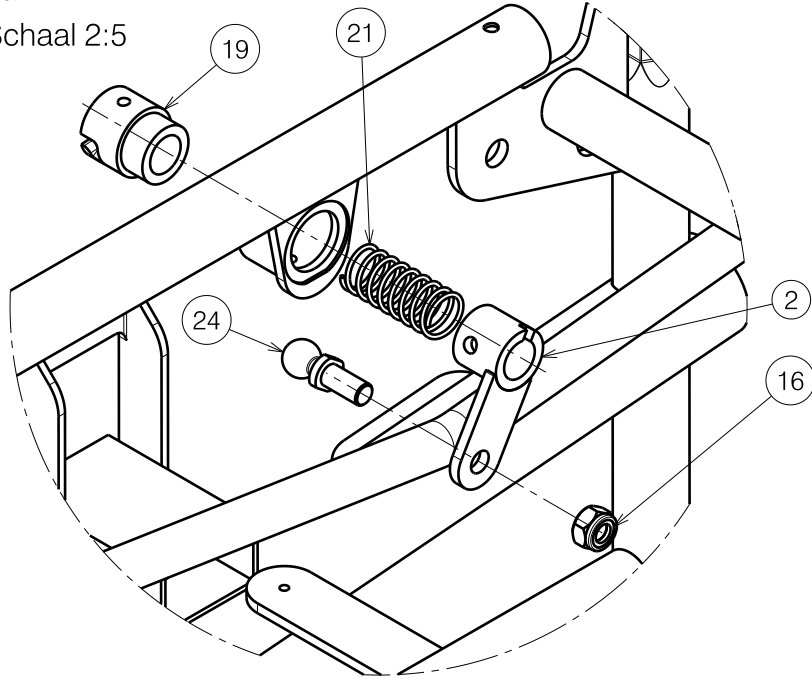
Detail D

Scale / Schaal 1:4

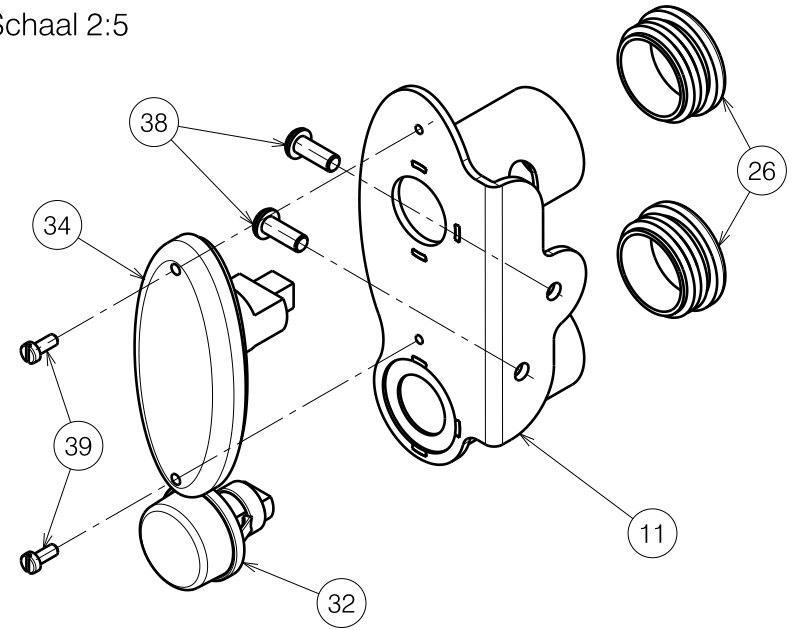
Sheet / Blad 2/4

SEAT FRAME SQUOD				Plan No. / Plannr.
ZIT FRAME SQUOD				E000222/C
Scale / Schaal: 1:4	Drafted / Getekend	Verified / Nagezien	Confirmed / Bevestigd	
Date / Datum	16/08/2005	18/11/2008	18/11/2008	
Init. / Init.	PS	SD	PJ	

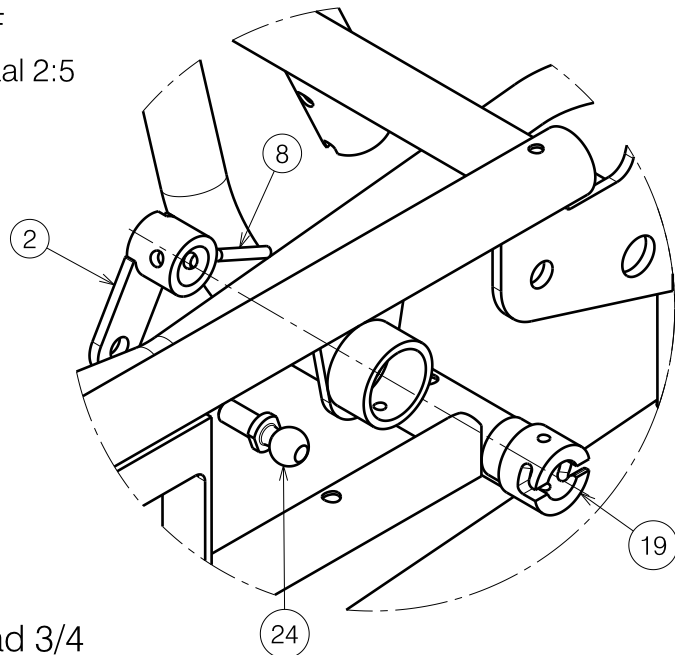
Detail E
Scale / Schaal 2:5



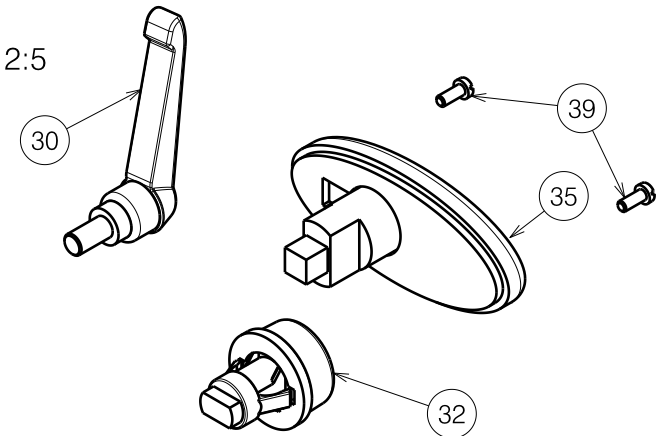
Detail A
Scale / Schaal 2:5



Detail F
Scale / Schaal 2:5



Detail B
Scale / Schaal 2:5



SEAT FRAME SQUOD
ZIT FRAME SQUOD

Plan No. / Plannr.

E000222/C

Scale / Schaal: 2:5	Drafted / Getekend	Verified / Nagezien	Confirmed / Bevestigd
Date / Datum	16/08/2005	18/11/2008	18/11/2008
Init. / Init.	PS	SD	PJ



Material / Materiaal							
No. / Nr.	Plan / Plan	Article / Artikel	Number / Aantal	No. / Nr.	Plan / Plan	Article / Artikel	Number / Aantal
1	Y007399	15873	1 (39)	29	---	1003277	2
	Y007403	15876	1 (44)	30	---	1006661	2
	Y007405	15877	1 (50)	31	---	1007804	4
2	Y007434	15883	2	32	---	1991679	4
3	Y007438	15881	1	33	---	1994676	2
4	Y007439	15885	1	34	---	1997432	2
5	Y007740	15886	1	35	---	1997433	2
6	Y007443	15882	1	36	---	1996991	1
7	Y007442	15902	2	37	---	1996992	1
8	Y007000	15880	1	38	---	1008459	4
9	Y008063	16116	2	39	---	1001464	8
10	---	1995314	1	40	---	1001680	6
11	Y008150	16129	1	41	---	1003907	2
12	Y005544	15504	2	42	---	1001679	2
13	---	1001490	2	43	---	1001564	6
14	Y008147	16128	1	44	---	1006111	2
15	---	1001671	4	45	---	1006112	4
16	X001016	1001682	6	46	---	1994687	1
17	X001119	1001554	4	47	---	1994712	1
18	X003227	15875	1 (39)	48	---	1994711	2
	X003226	15874	1 (44)	49	---	1992405	2
	X003232	15878	1 (50)	50	---	1992349	2
19	X003231	1996586	2	51	---	1001608	6
20	X003295	15879	2	52	---	1004550	4
21	X003417	16531	1	53	---	1009317	4
22	---	G089800	2	54	---	1001585	2
23	---	G600100	4	55	---	1008492	2
24	---	G600200	4	56	---	1006850	2
25	---	1001409	4	57	X002559	1993949	2
26	---	1001611	8	58	X002369	1993208	2
27	---	1001683	2				
28	---	1001684	2				

SEAT FRAME SQUOD

ZIT FRAME SQUOD

Plan No. / Plannr.

E000222/C

Scale / Schaal: 3:20	Drafted / Getekend	Verified / Nagezien	Confirmed / Bevestigd
Date / Datum	16/08/2005	18/11/2008	18/11/2008
Init. / Init.	PS	SD	PJ

