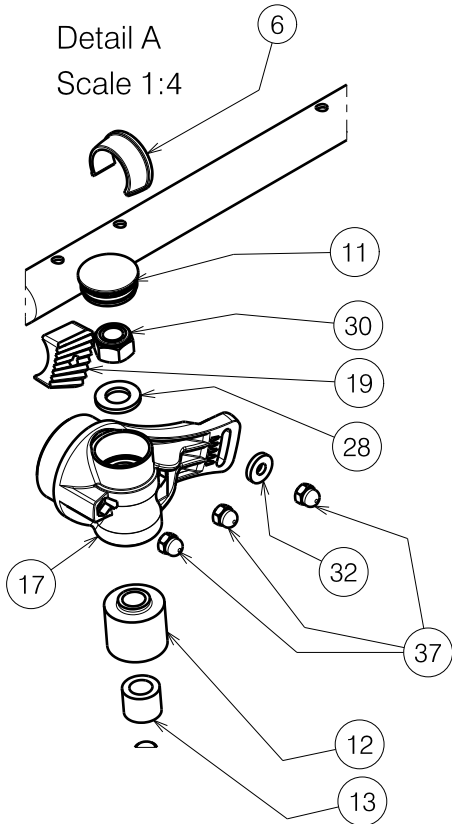
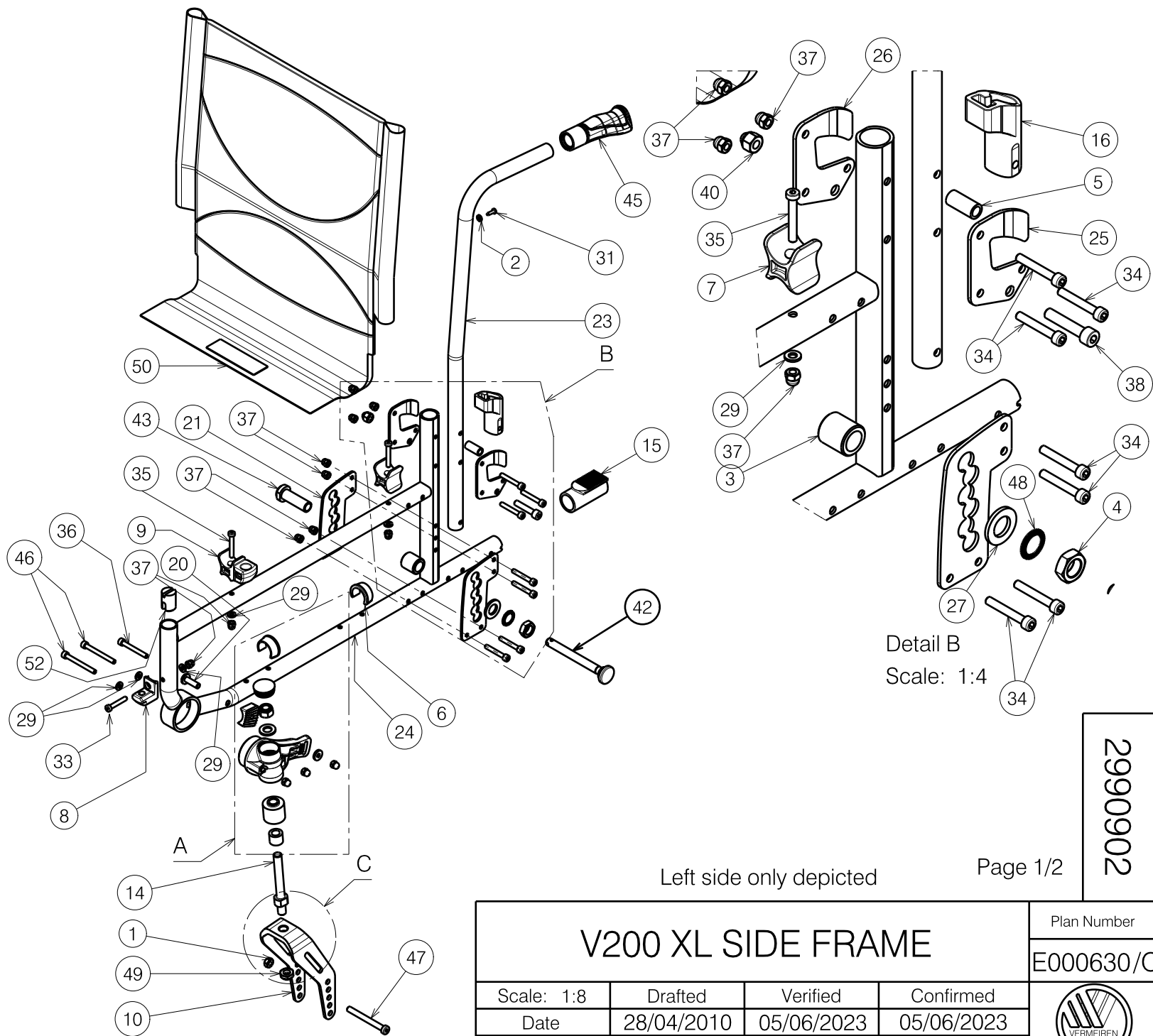
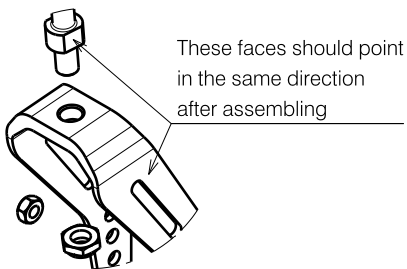


Detail A
Scale 1:4



Detail C
Scale : 1/4



Detail B
Scale: 1:4

Left side only depicted

Page 1/2

2990902


<h1>V200 XL SIDE FRAME</h1>				Plan Number
				E000630/C
Scale: 1:8	Drafted	Verified	Confirmed	
Date	28/04/2010	05/06/2023	05/06/2023	
Initials	JG	SD	PJ	

Material			
No.	Plan	Article	Quantity
1	---	1998994	2
2	---	1001550	2
3	X002265	1500082	2
4	X002437	1992699	2
5	X003204	1585100	2
6	X004308	1904129	4
7	X004309	1904133	2
8	X004415	17193	2
9	X004420	1904134	2
10	X004429	1904030	2
11	X004436	1903928	2
12	X004444	1722354	2
13	X004445	1904571	2
14	X004466	1730700	2
15	X004469	1905045	2
16	X004487	1904581	2
17	X005865	1915642 (L)	1
18*	X005866	1915643 (R)	1
19	X004597	1905121	2
20	X004689	1734600	2
21	Y014469	1732882	4
22*	Y016457	17331.. (R)	1
23	Y015129	17329..	2
24	Y016456	17330.. (L)	1
25	Y016062	1736054 (L)	2
26	Y016063	1736154 (R)	2
27	---	1906194	2
28	---	1001561	2
29	---	1001564	10
30	---	1001684	2
31	---	1003021	2
32	---	1003321	2

* = Not depicted

Material			
No.	Plan	Article	Quantity
33	---	1903903	2
34	---	1003909	14
35	---	1006850	4
36	---	1007970	2
37	---	1008492	26
38	---	1001500	2
40	---	1902024	2
42	XC00037	3990106	2
43	X005828	1905244	2
45	---	1992600	2
46	---	1005957	4
47	---	1998993	2
48	M16 type S DIN17222	1911653	2
49	---	1994605	2
50	---	1905705 (53)	1
	---	1905706 (56)	1
	---	1905707 (60)	1
52	X004818	1906184	2
17A	X004584	1905028	1
17B	6001-2Z	1992559	2
18A	X004586	1905029	1
18B	6001-2Z	1992559	2

2990902

V200 XL SIDE FRAME				Plan Number
				E000630/C
Scale: 1:8	Drafted	Verified	Confirmed	
Date	28/04/2010	05/06/2023	05/06/2023	
Initials	JG	SD	PJ	