
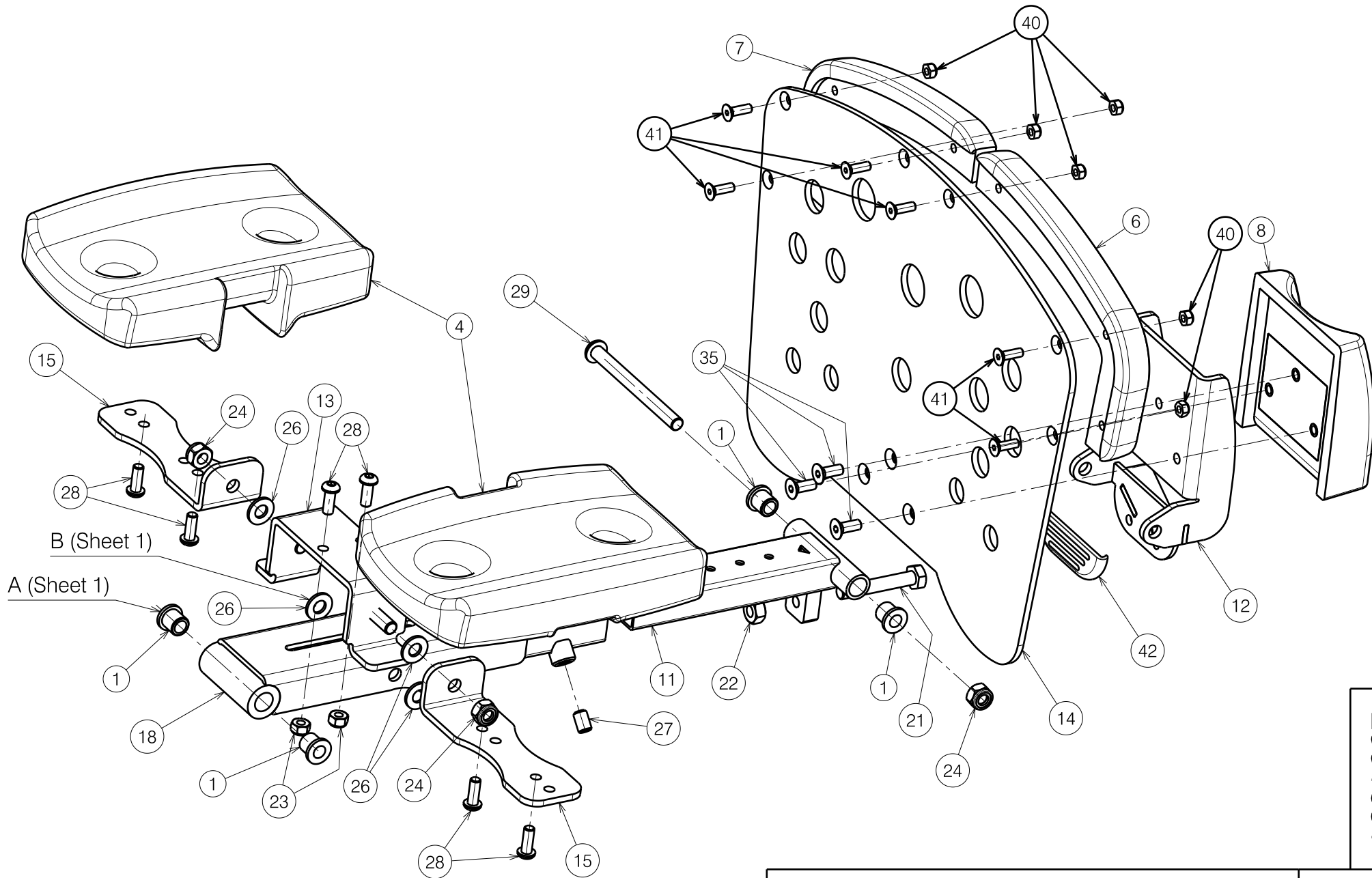



2991651

<b>TIMIX BZ10E ELECTRIC LEG REST</b> Sheet 1/3 - Upper Part				Plan No.
				E000820 / H
Scale: 1:3	Drafted	Verified	Confirmed	
Date	04/07/2012	20/05/2020	20/05/2020	
Initials	SD	SD	PJ	

E000820 / H



2991651

<b>TIMIX BZ10E ELECTRIC LEG REST</b> Sheet 2/3 - Lower Part				Plan No. E000820 / H
Scale: 1:3	Drafted	Verified	Confirmed	
Date	04/07/2012	20/05/2020	20/05/2020	
Initials	SD	SD	PJ	


E000820 / H

Material							
No.	Plan	Article	Quantity	No.	Plan	Article	Quantity
1	X002986	1995693	6	26	M8 DIN125	1003199	10
2	X004032	1901832	2	27	M8X12 DIN916	1004885	1
3				28	M6X16 ISO7380	1008459	6
4	X004785	1905949	2	29	M8X90 ISO7380	1903995	1
5	X005007	1908266	2	30	---	1908165	1
6	X005932	1916373	1	31	M8X20 ISO7380	1992349	4
7	X005931	1916372	1	32	M10X90 ISO7380	1998812	1
8	X005050	1908389	1	33	---	1990752	10
9	X005054	1908463	1	34	M8X75 DIN912	1992973	1
10	X005056	1908464	1	35	M6X16 DIN7991	1994752	3
11	Y017878	1777900	1	36	M8X80 DIN912	1998467	1
12	Y017925	1778054	1	37	M10X65 ISO7380	2992473	1
13	Y018160	1776854	1	38*	---	1906791	1
14	Y018170	1776354	1	39*	---	1906792	1
15	Y018367	1778154	2	40	M5 DIN985	1001679	6
16	Y018419	1777854	2	41	M5x16 DIN7991	1907493	6
17	Y018421	1776554	1	42	X004580	1904798	1
18	Y018426	1776754	1				
19	Y018435	1777754	2				
20	Y018436	1777654	2				
21	M8X50 DIN933	1001446	1				
22	M8 DIN934	1001671	1				
23	M6 DIN985	1001680	2				
24	M8 DIN985	1001682	13				
25	M10 DIN985	1001683	2				

\* Not depicted

2991651

E000820 / H

TIMIX BZ10E ELECTRIC LEG REST				Plan No.
Sheet 3/3 - BOM				E000820 / H
Scale: 1:3	Drafted	Verified	Confirmed	
Date	04/07/2012	20/05/2020	20/05/2020	
Initials	SD	SD	PJ	