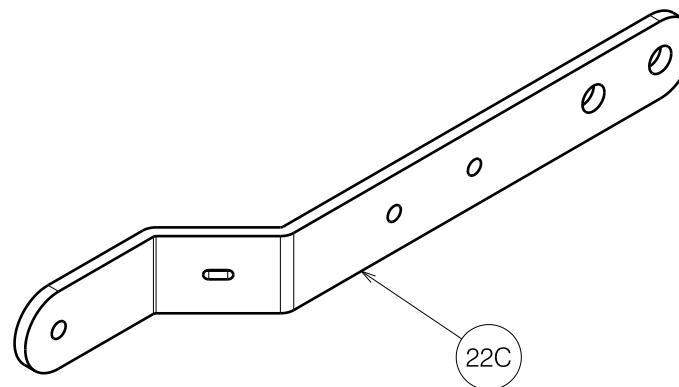
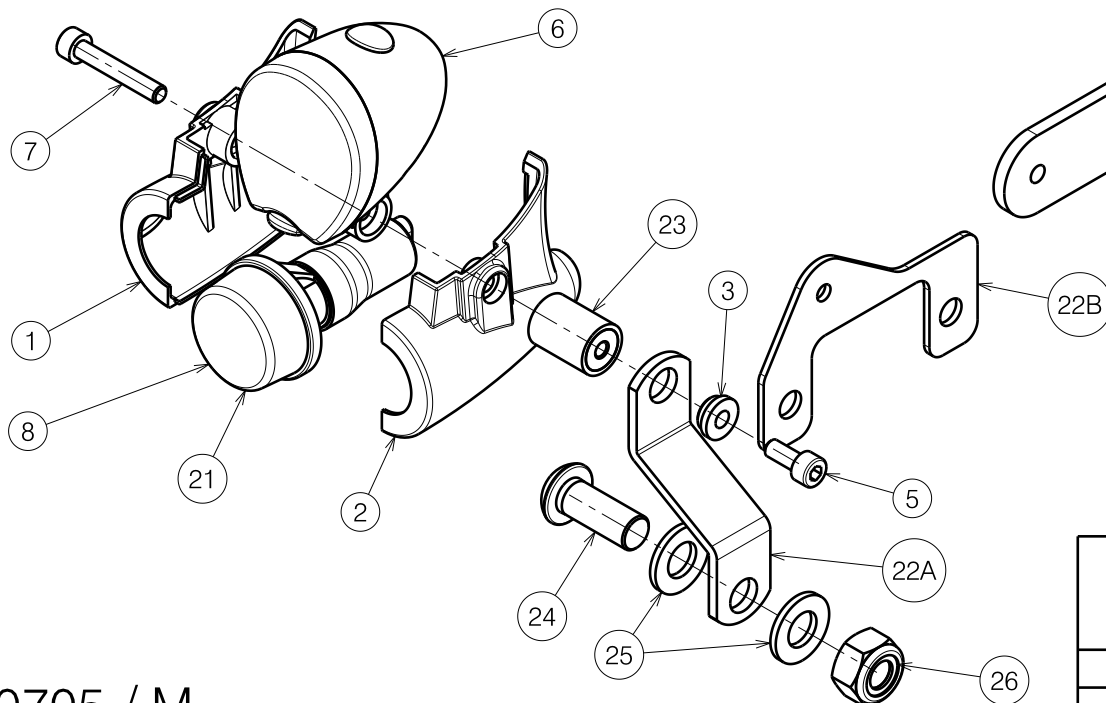
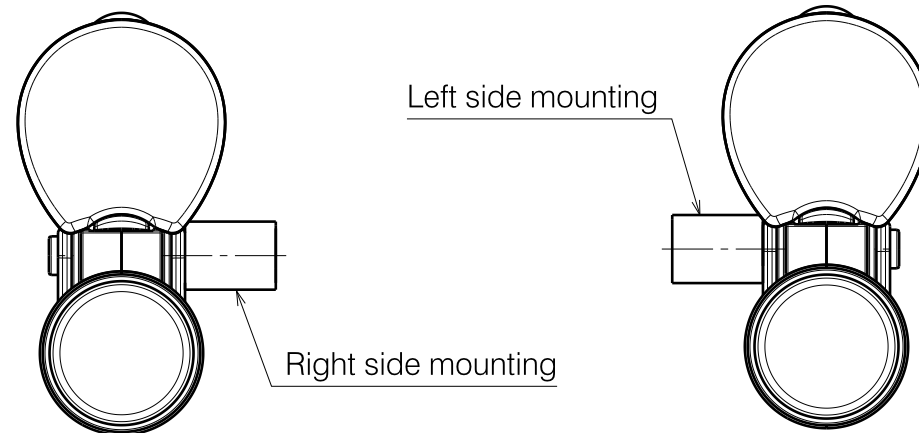


Material (L+R)			
No.	Plan	Article	Quantity
1	X004942	1907377	2
2	X004943	1907376	2
3	X004960	1907430	2
5	M5X12 DIN912	1001489	2
6	---	1907340	2
7	M5X30 DIN912	1903983	1
8	---	1991679	2
20*	3.3 kOhm / 5W	1907520	1
21	---	1991680	4
22A	Y019327	1784454	2
22B	Y017917	1772254	2
22C	Y020906	2007854	2
23	---	1910745	2
24	M10x25 ISO7380	1992165	2
25	M10 DIN125	1001558	4
26	M10 DIN985	1001683	2

A: for Navix
 B: for Navix BZ7
 C: for SUD
 * Not depicted

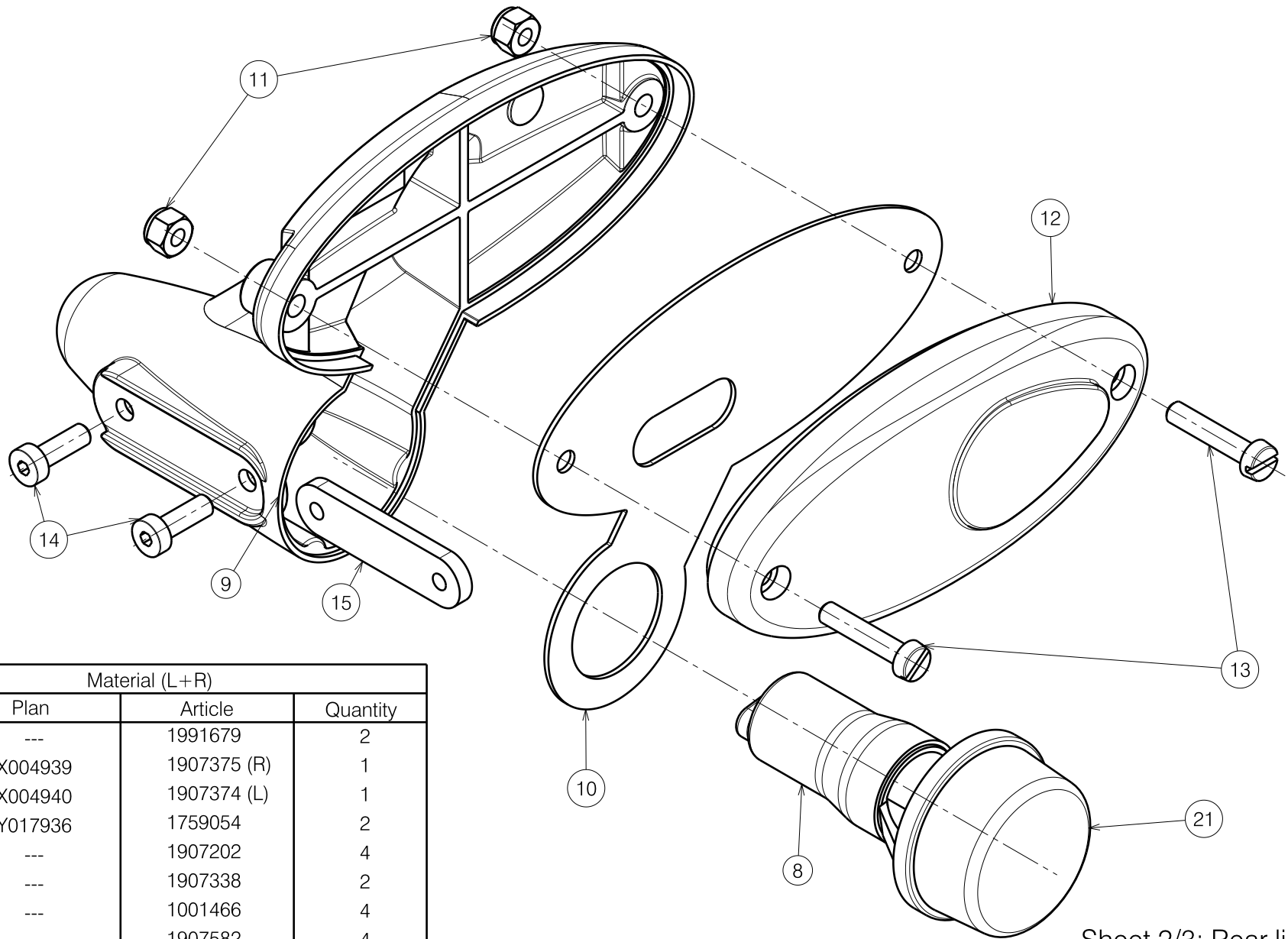


Sheet 1/3: Front light module

E000705 / M

SE19 FRONT AND REAR LIGHT MODULES (FOREST 2 / FOREST 2 NARROW / NAVIX)				Plan No.
				E000705 / M
Scale:	1:2	Drafted	Verified	Confirmed
Date	22/08/2011	16/12/2016	16/12/2016	16/12/2016
Initials	JG	SD	PJ	





Sheet 2/3: Rear light module

Material (L+R)			
No.	Plan	Article	Quantity
8	---	1991679	2
9	X004939	1907375 (R)	1
	X004940	1907374 (L)	1
10	Y017936	1759054	2
11	---	1907202	4
12	---	1907338	2
13	---	1001466	4
14	---	1907582	4
15	Y019695	1786554	2
20*	3.3 kOhm / 5W	1907520	1
21*	---	1991680	2

* = Not depicted

SE19 FRONT AND REAR LIGHT MODULES
(FOREST 2 / FOREST 2 NARROW / NAVIX)

Plan No.

E000705 / M

Scale: 1:1

Drafted

Verified

Confirmed

Date

22/08/2011

16/12/2016

16/12/2016

Initials

JG

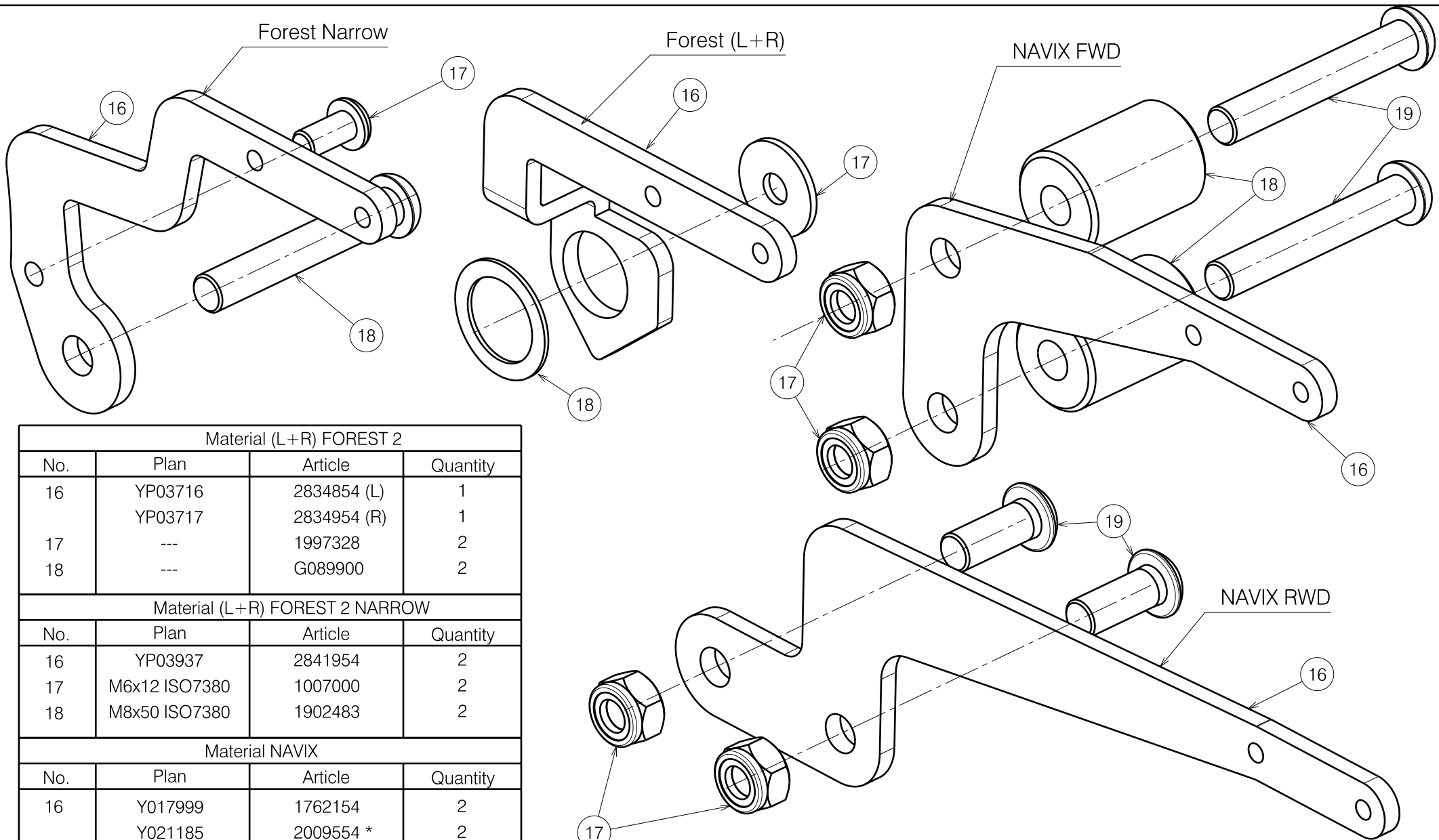
SD

PJ



E000705 / M

Sheet 2/3: Back light module



Material (L+R) FOREST 2			
No.	Plan	Article	Quantity
16	YP03716	2834854 (L)	1
	YP03717	2834954 (R)	1
17	---	1997328	2
18	---	G089900	2

Material (L+R) FOREST 2 NARROW			
No.	Plan	Article	Quantity
16	YP03937	2841954	2
17	M6x12 ISO7380	1007000	2
18	M8x50 ISO7380	1902483	2

Material NAVIX			
No.	Plan	Article	Quantity
16	Y017999	1762154	2
	Y021185	2009554 *	2
17	X001016	1001682	4
18	X003359	1900106 **	4
19	M8x50 ISO7380	1902483	4
	M8x20 ISO7380	1992348 *	4

* = NAVIX RWD

Sheet 3/3: Attachment rear light module

SE19 FRONT AND REAR LIGHT MODULES (FOREST 2 / FOREST 2 NARROW / NAVIX)				Plan No. E000705 / M
Scale: 1:1	Drafted	Verified	Confirmed	
Date	22/08/2011	16/12/2016	16/12/2016	
Initials	JG	SD	PJ	

E000705 / M