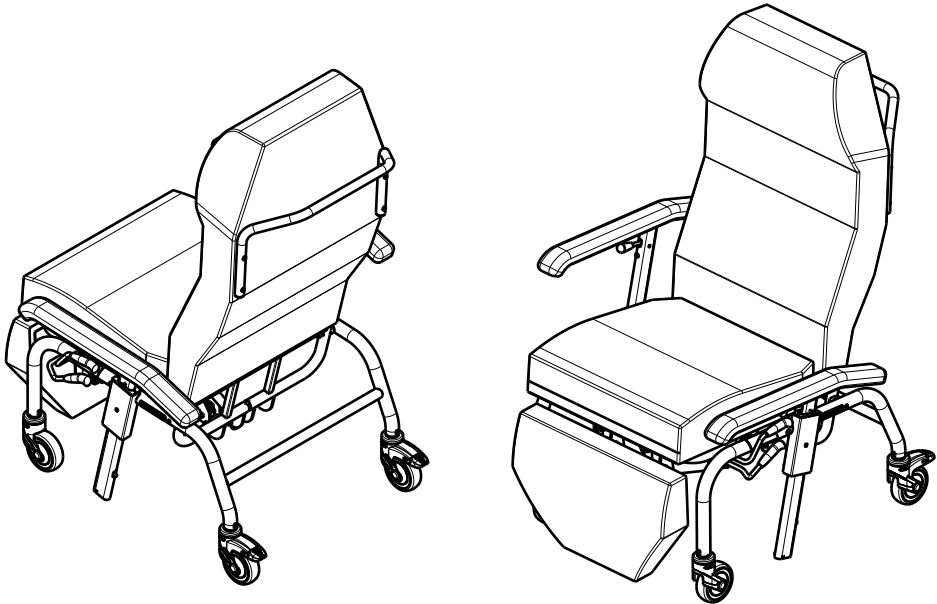
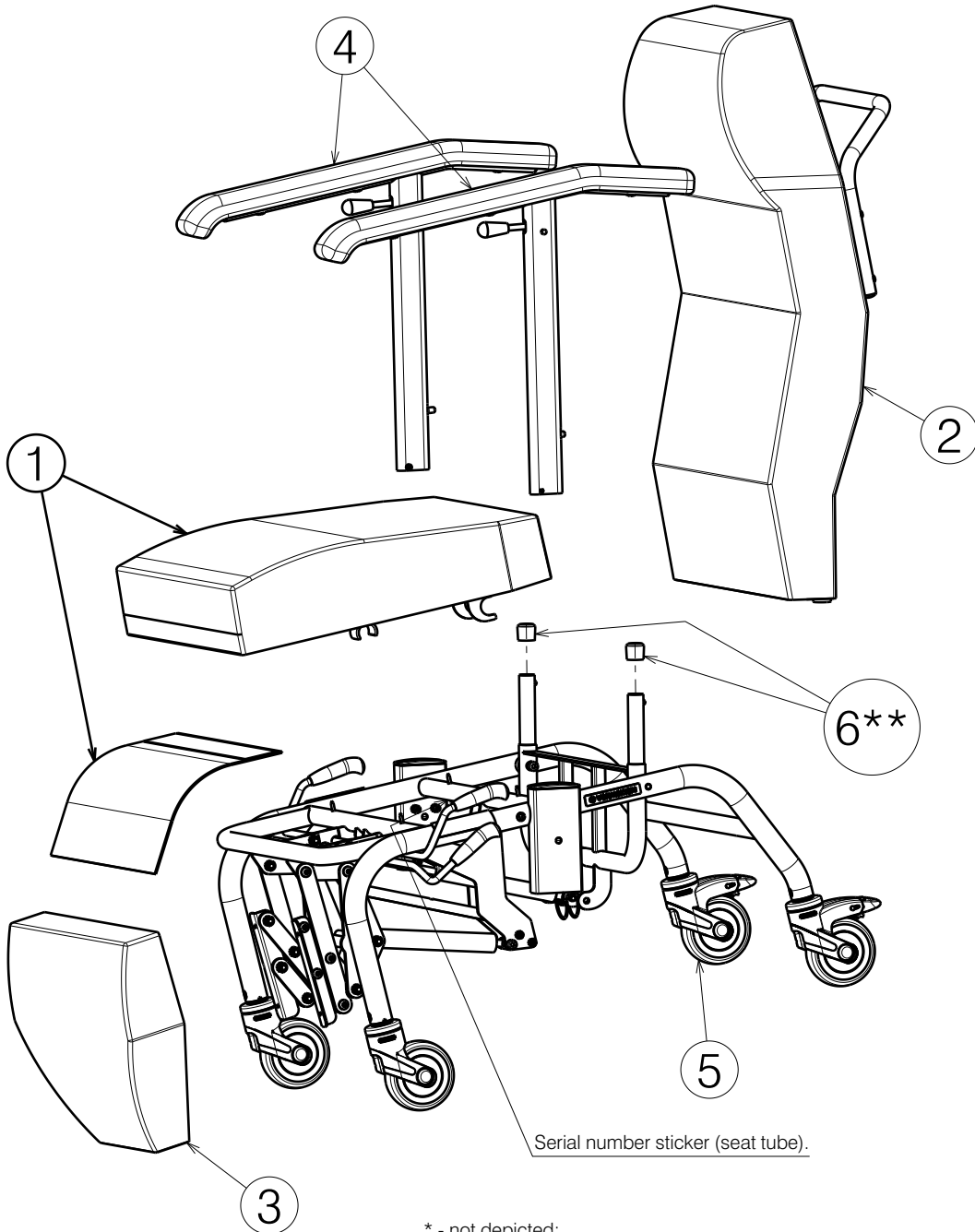


Material			
No.	Plan	Article	Quantity
1	EP00531	2994887	1
2	EP00532	2994888	1
3	EP00533	2994889	1
4	EP00534	2994890	1
5	EP00608	2995253	1
6**	Cap D22	1001625	2
7*	XP03295	U000434	1

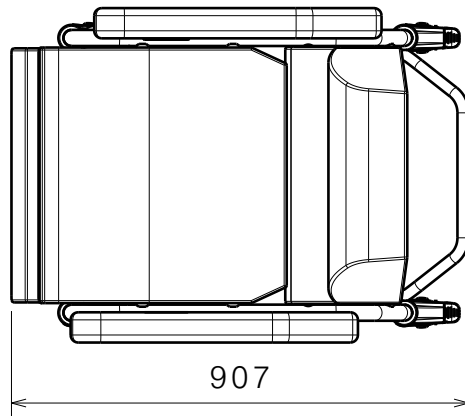
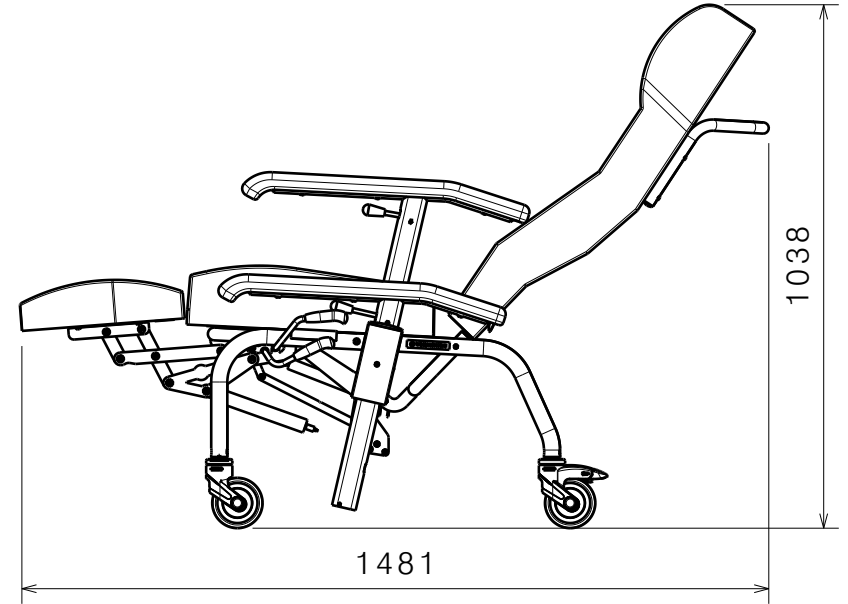
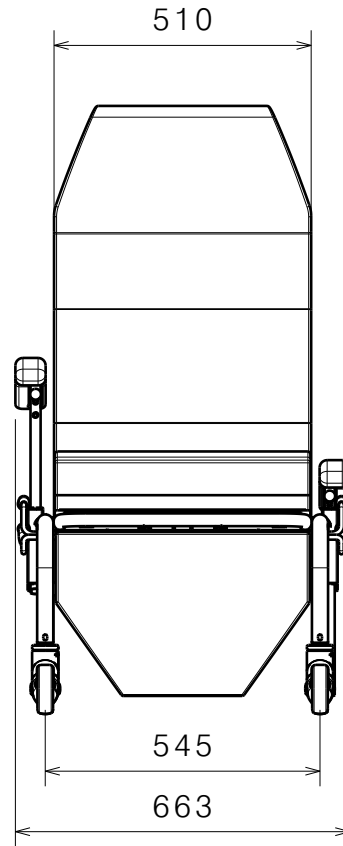
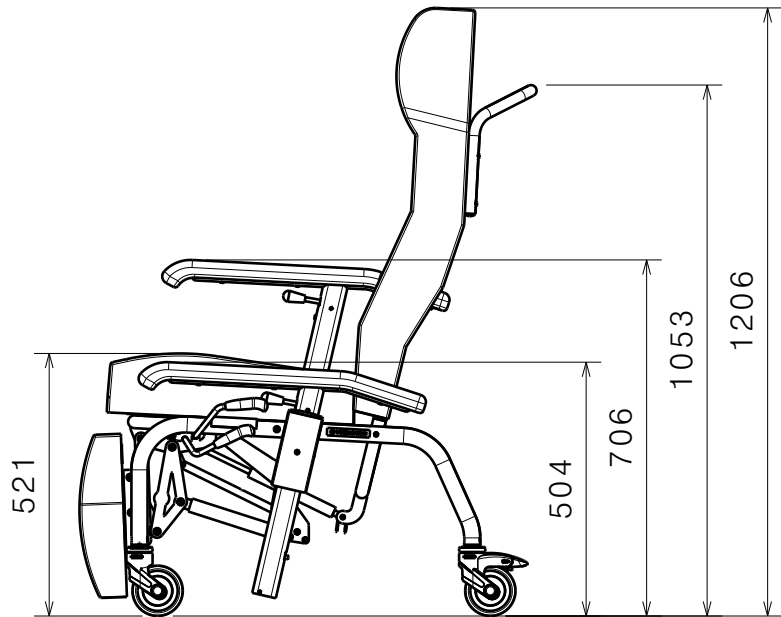


EP00609 / C

* - not depicted;
 ** - use only in transport to protect upholstery - see packing instruction;
 *** - SOP: S-BE.90.03 - packing instruction.

SPECIFICATION / NORMANDIE 2020 2F				Plan No.
				EP00609 / C
Scale: 1:10	Drafted	Verified	Confirmed	1/2
Date	24/09/2021	07/08/2023	07/08/2023	
Initials	AZ	PM	AZ	





EP00609 / C

SPECIFICATION / NORMANDIE 2020 2F				Plan No.
				EP00609 / C
Scale: 1:15	Drafted	Verified	Confirmed	
Date	24/09/2021	07/08/2023	07/08/2023	
Initials	AZ	PM	AZ	