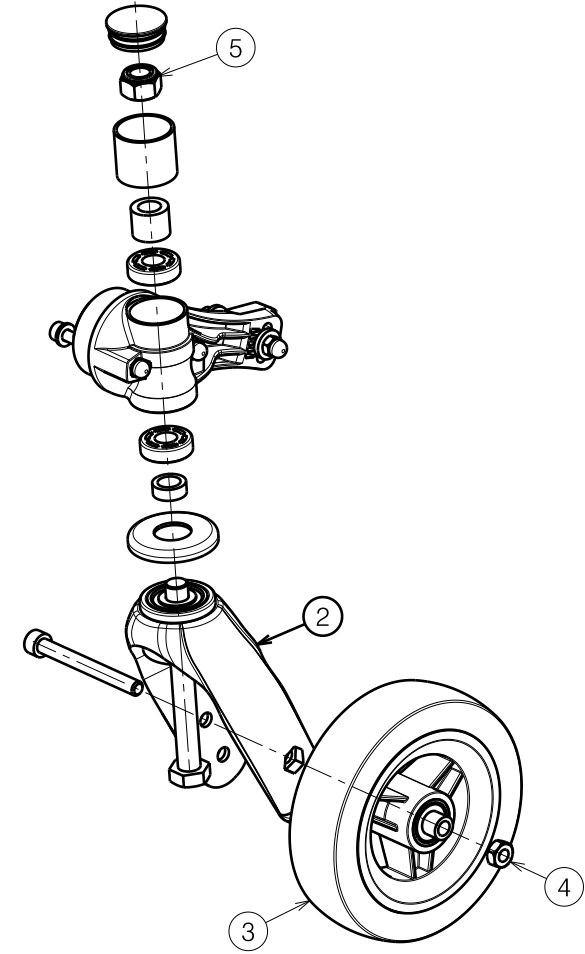
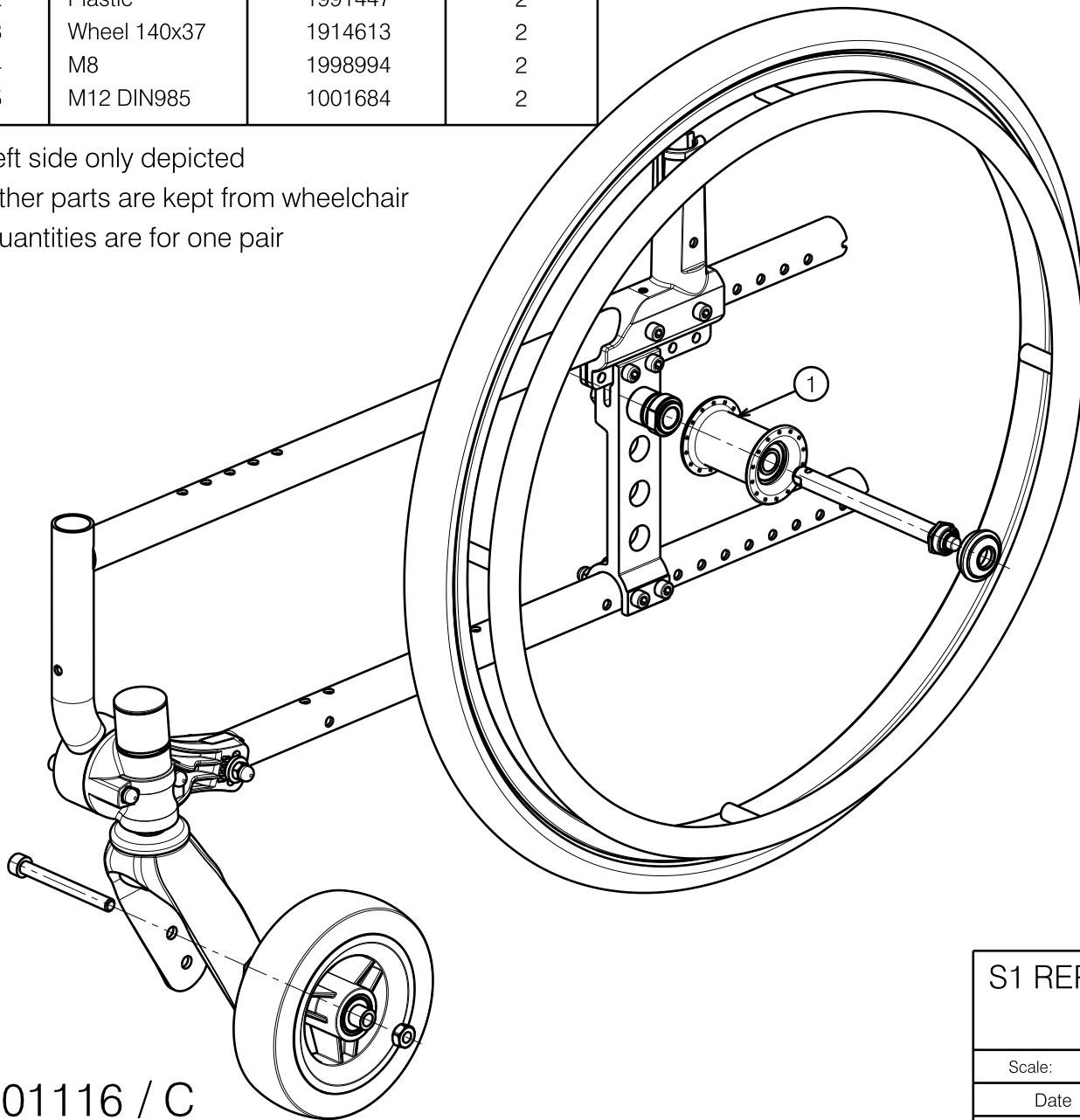


Material			
No.	Plan	Article	Quantity
1	Wheel 22" (PU)	1914625	2
1	Wheel 22" (AIR)	1911073	2
2	Plastic	1991447	2
3	Wheel 140x37	1914613	2
4	M8	1998994	2
5	M12 DIN985	1001684	2

- \* Left side only depicted
- \* Other parts are kept from wheelchair
- \* Quantities are for one pair



1916475 / 1916485  
 (PU)  
 (AIR)

E001116 / C

S1 REPLACEMENT KIT TYPE V300F / V300DL / V300DF				Plan No.
				E001116 / C
Scale: 1:4	Drafted	Verified	Confirmed	
Date	25/09/2018	09/12/2019	09/12/2019	
Initials	TT	TT	PJ	