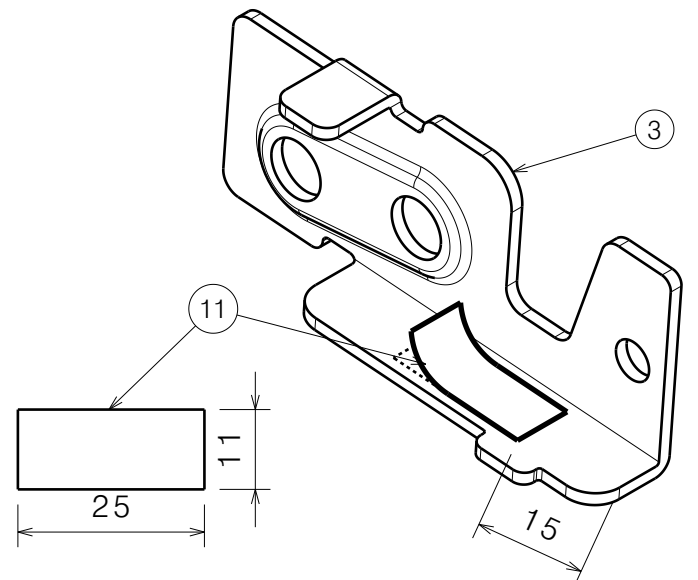


Material			
No.	Plan	Article	Quantity
1	XP02994	GP22600	2
2	XP03285	2996960	1
3	YP08246	2611600	1
4	YP08247	2611700	1
5	XP03428	2658600	1
5*	YP08248	2611800	1
6	XP03429	2658700	1
6*	YP08249	2611900	1
7	XP03089	GP24000	1
8	XP03090	GP24100	1
9	---	1907480	2
10	9 DIN471	2996616	4
11	X005748	1914355	0,2
12	M4 DIN985	1001678	2



* Alternative
 Assembly instruction: S-PL. 40.07

Method PL		
Procedure	Description	Tool
Assemble	Mounting Caliber	M600-034

ROTARY LATCH GEMINI 2020				Plan No.
				EP00517 / D
Scale: 1:1	Drafted	Verified	Confirmed	
Date	13/07/2021	20/09/2022	20/09/2022	
Initials	OY	OY	AZ	

EP00517 / D