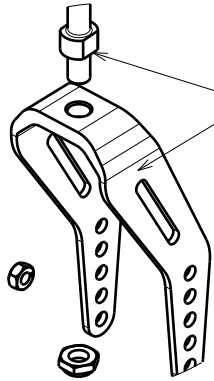
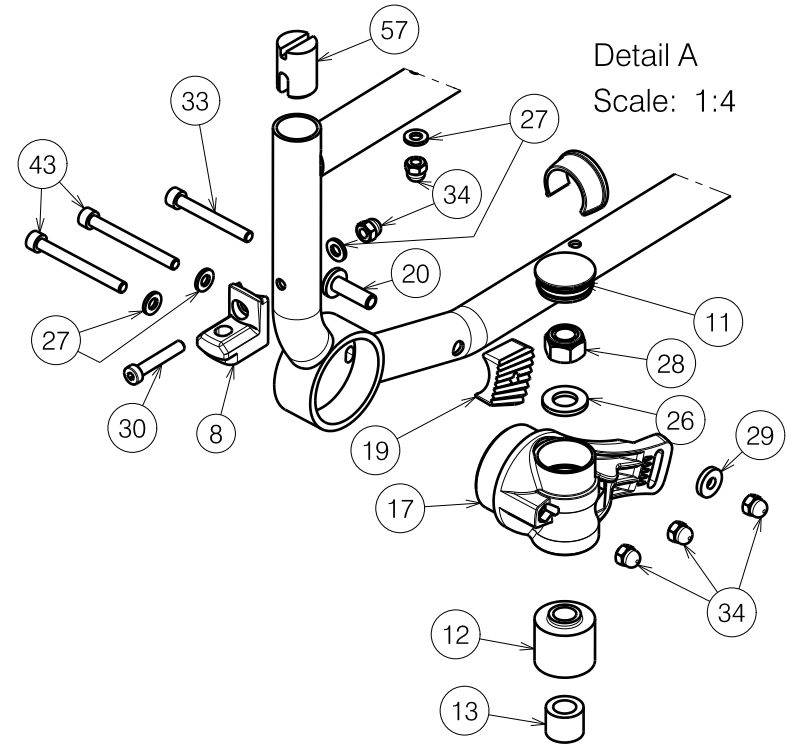
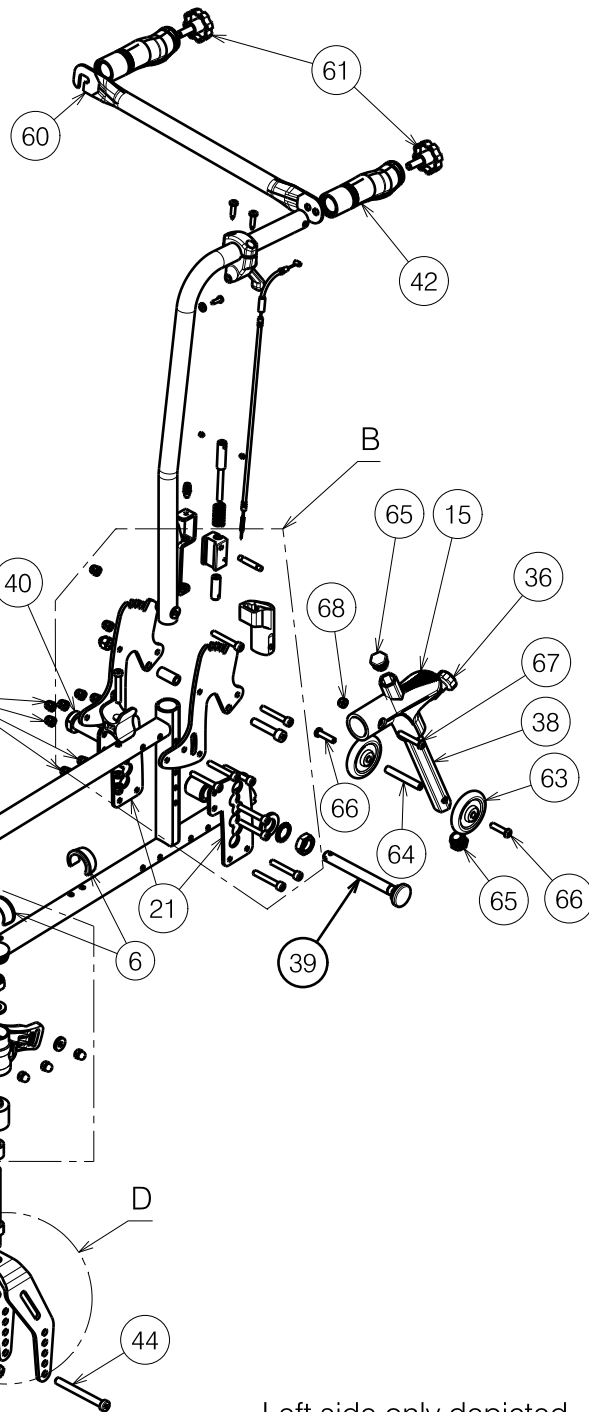


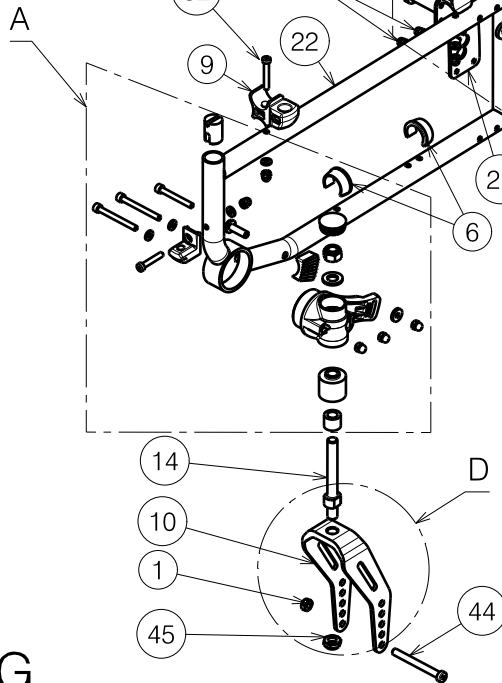
These faces should point in the same direction after assembly



Detail D  
Scale: 1:4




Detail A  
Scale: 1:4

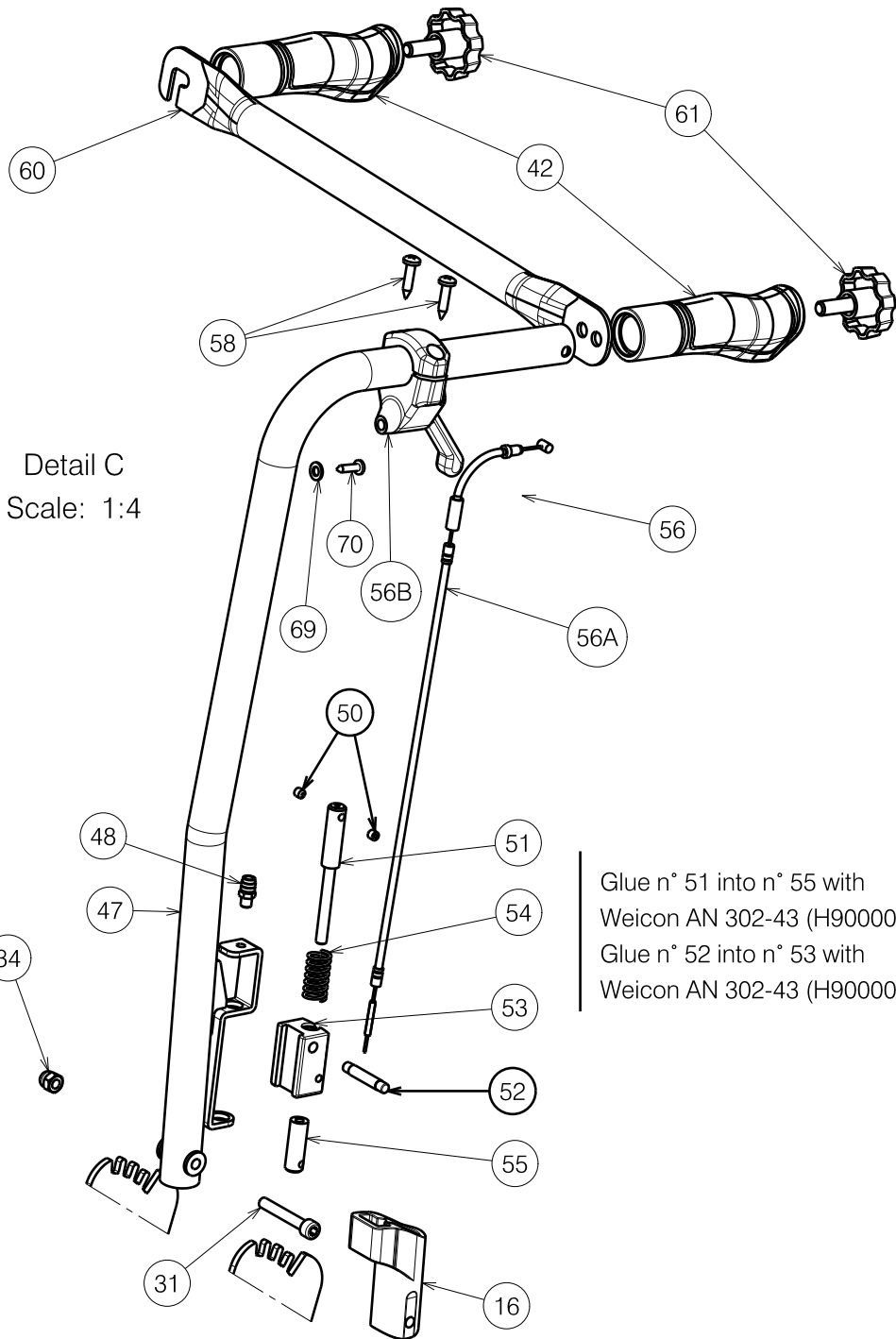


E000669 / G

Left side only depicted

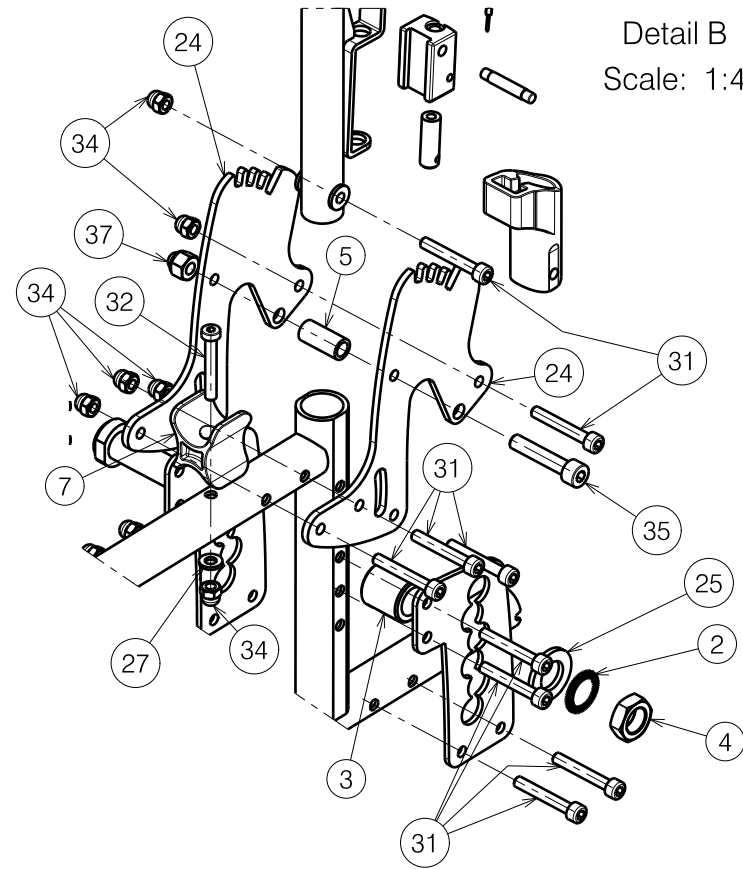
2991180

|                       |            |            |            |   |
|-----------------------|------------|------------|------------|---|
| V200 / 30° SIDE FRAME |            |            |            | Plan No.<br>E000669 / G   |
| Page1/3               |            |            |            |   |
| Scale: 1:8            | Drafted    | Verified   | Confirmed  |  |
| Date                  | 06/12/2010 | 05/06/2023 | 05/06/2023 |   |
| Initials              | SV         | SD         | PJ         |   |



Detail C  
Scale: 1:4


Glue n° 51 into n° 55 with  
Weicon AN 302-43 (H900009)  
Glue n° 52 into n° 53 with  
Weicon AN 302-43 (H900009)



Detail B  
Scale: 1:4

E000669 / G

2991180

|                       |            |            |            |   |
|-----------------------|------------|------------|------------|---|
| V200 / 30° SIDE FRAME |            |            |            | Plan No.<br>E000669 / G   |
| Page 2/3              |            |            |            |   |
| Scale: 1:8            | Drafted    | Verified   | Confirmed  |  |
| Date                  | 06/12/2010 | 05/06/2023 | 05/06/2023 |   |
| Initials              | SV         | SD         | PJ         |   |

| Material |                     |             |          |     |         |              |          |     |               |              |          |
|----------|---------------------|-------------|----------|-----|---------|--------------|----------|-----|---------------|--------------|----------|
| No.      | Plan                | Article     | Quantity | No. | Plan    | Article      | Quantity | No. | Plan          | Article      | Quantity |
| 1        | ---                 | 1998994     | 2        | 33  | ---     | 1007970      | 2        | 60  | Y004766       | 1522254 (50) | 1        |
| 2        | M16 type S DIN17222 | 1911653     | 2        | 34  | ---     | 1008492      | 30       |     | Y017325       | 1746654 (53) | 1        |
| 3        | X002265             | 1500082     | 2        | 35  | ---     | 1001500      | 2        |     | Y017326       | 1746754 (56) | 1        |
| 4        | X002437             | 1992699     | 2        | 36  | M10x1   | 1999935      | 2        |     | Y017236       | 1745754 (60) | 1        |
| 5        | X003204             | 1585100     | 2        | 37  | ---     | 1902024      | 2        | 61  | ---           | 1001580      | 2        |
| 6        | X004308             | 1904129     | 4        | 38  | Y016850 | 1740132      | 2        | 63  | X004747       | 1906057      | 4        |
| 7        | X004309             | 1904133     | 2        | 39  | XC00037 | 3990106      | 2        | 64  | X004800       | 1740300      | 2        |
| 8        | X004415             | 17193       | 2        | 40  | ---     | 1905244      | 2        | 65  | X004774       | 1906056      | 4        |
| 9        | X004420             | 1904134     | 2        | 42  | ---     | 1992600      | 2        | 66  | M6x25 ISO7380 | 1006998      | 4        |
| 10       | X004429             | 1904030     | 2        | 43  | ---     | 1005957      | 4        | 67  | M6x35 ISO7380 | 1006057      | 2        |
| 11       | X004436             | 1903928     | 2        | 44  | ---     | 1998993      | 2        | 68  | M6 DIN985     | 1001680      | 2        |
| 12       | X004444             | 1722354     | 2        | 45  | ---     | 1994605      | 2        | 69  | M5 DIN125     | 1001550      | 2        |
| 13       | X004445             | 1904571     | 2        | 47  | Y017175 | 17409..      | 2        | 70  | Ø4x16         | 1003021      | 2        |
| 14       | X004466             | 1730700     | 2        | 48  | ---     | 1003282      | 2        |     |               |              |          |
| 15       | X004750             | 1906037     | 2        | 49  | ---     | 1001485      | 4        | 17A | X004584       | 1905028      | 1        |
| 16       | X004487             | 1904581     | 2        | 50  | ---     | 1991323      | 4        | 17B | 6001-2Z       | 1992559      | 2        |
| 17       | X005865             | 1915642 (L) | 1        | 51  | X004797 | 1740500      | 2        | 18A | X004585       | 1905029      | 1        |
| 18*      | X005866             | 1915643 (R) | 1        | 52  | X004987 | 1767500      | 2        | 18B | 6001-2Z       | 1992559      | 2        |
| 19       | X004597             | 1905121     | 2        | 53  | X004796 | 17406        | 2        |     |               |              |          |
| 20       | X004689             | 1734600     | 2        | 54  | X004798 | 1740700      | 2        |     |               |              |          |
| 21       | Y014469             | 1732832     | 4        | 55  | X004789 | 1740400      | 2        |     |               |              |          |
| 22       | Y016558             | 17452.. (L) | 1        | 56  | ---     | 1907921      | 2        |     |               |              |          |
| 23*      | Y016559             | 17453.. (R) | 1        | 56A | X004846 | 1906369      | 2        |     |               |              |          |
| 24       | Y023979             | 2078654     | 4        | 56B | ---     | 1916909      | 2        |     |               |              |          |
| 25       | ---                 | 1001560     | 2        | 57  | X004818 | 1906184      | 2        |     |               |              |          |
| 26       | ---                 | 1001561     | 2        | 58  | Ø4.8x22 | 3991881      | 4        |     |               |              |          |
| 27       | ---                 | 1001564     | 10       | 59  | X004788 | 1740800      | 4        |     |               |              |          |
| 28       | ---                 | 1001684     | 2        | 60  | Y004761 | 1521754 (39) | 1        |     |               |              |          |
| 29       | ---                 | 1003321     | 2        |     | Y004762 | 1521854 (42) | 1        |     |               |              |          |
| 30       | ---                 | 1903903     | 2        |     | Y004763 | 1521954 (44) | 1        |     |               |              |          |
| 31       | ---                 | 1003909     | 18       |     | Y004764 | 1522054 (46) | 1        |     |               |              |          |
| 32       | ---                 | 1006850     | 4        |     | Y004765 | 1522154 (48) | 1        |     |               |              |          |

\* = Not depicted

Quantities are for one wheelchair, left side only depicted

2991180

V200 / 30° SIDE FRAME

Page 3/3

Plan No.

E000669 / G

|            |            |            |            |
|------------|------------|------------|------------|
| Scale: 1:8 | Drafted    | Verified   | Confirmed  |
| Date       | 06/12/2010 | 05/06/2023 | 05/06/2023 |
| Initials   | SV         | SD         | PJ         |



E000669 / G